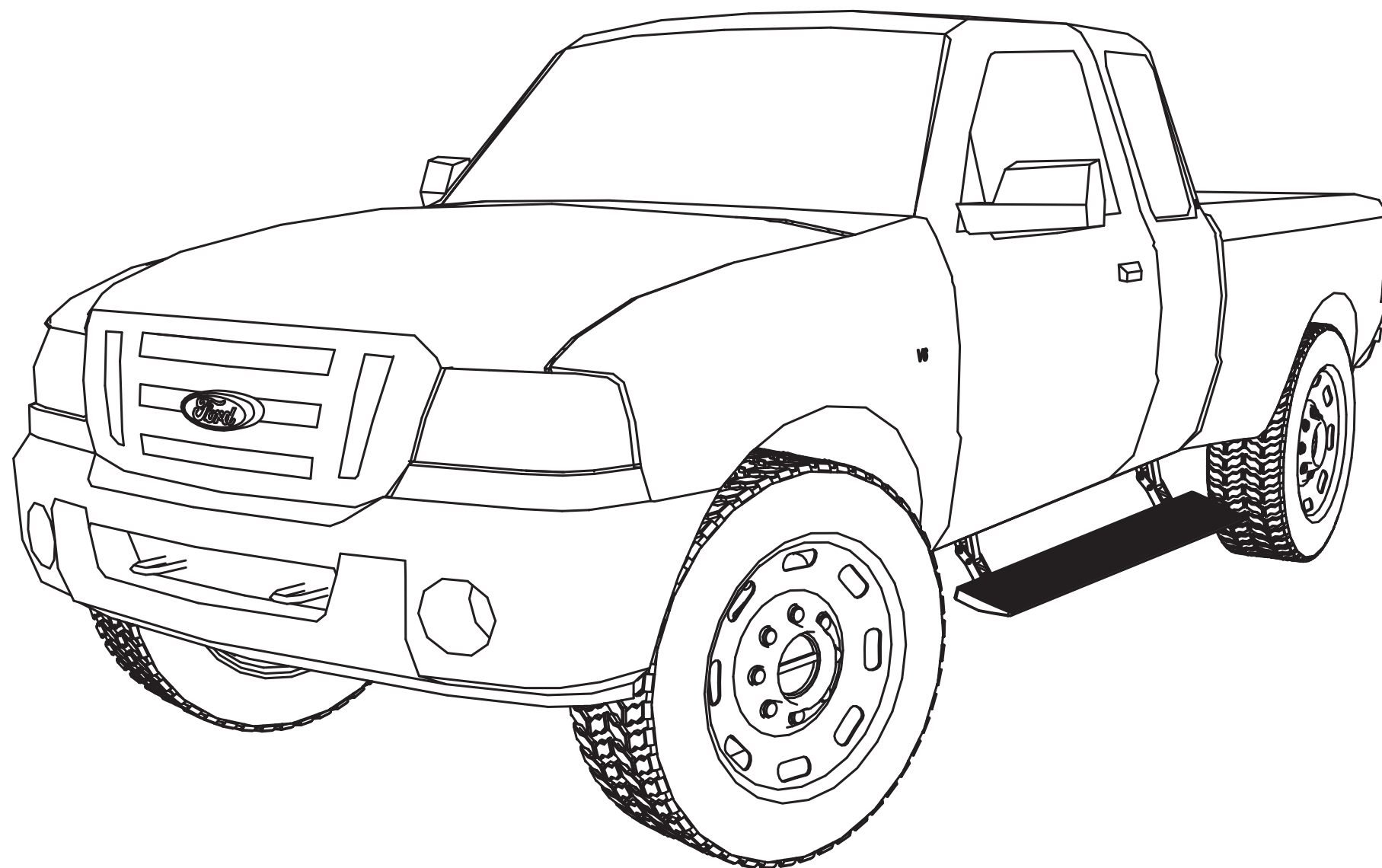


FORD RANGER T6 POWER BOARD

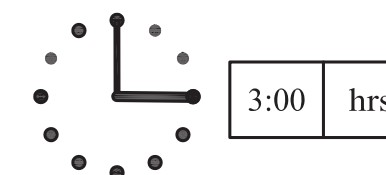


APPLICATION: Ford Ranger T6 2015



INSTALLATION GUIDE

INSTALLATION TIME



SKILL LEVEL



4=Experienced

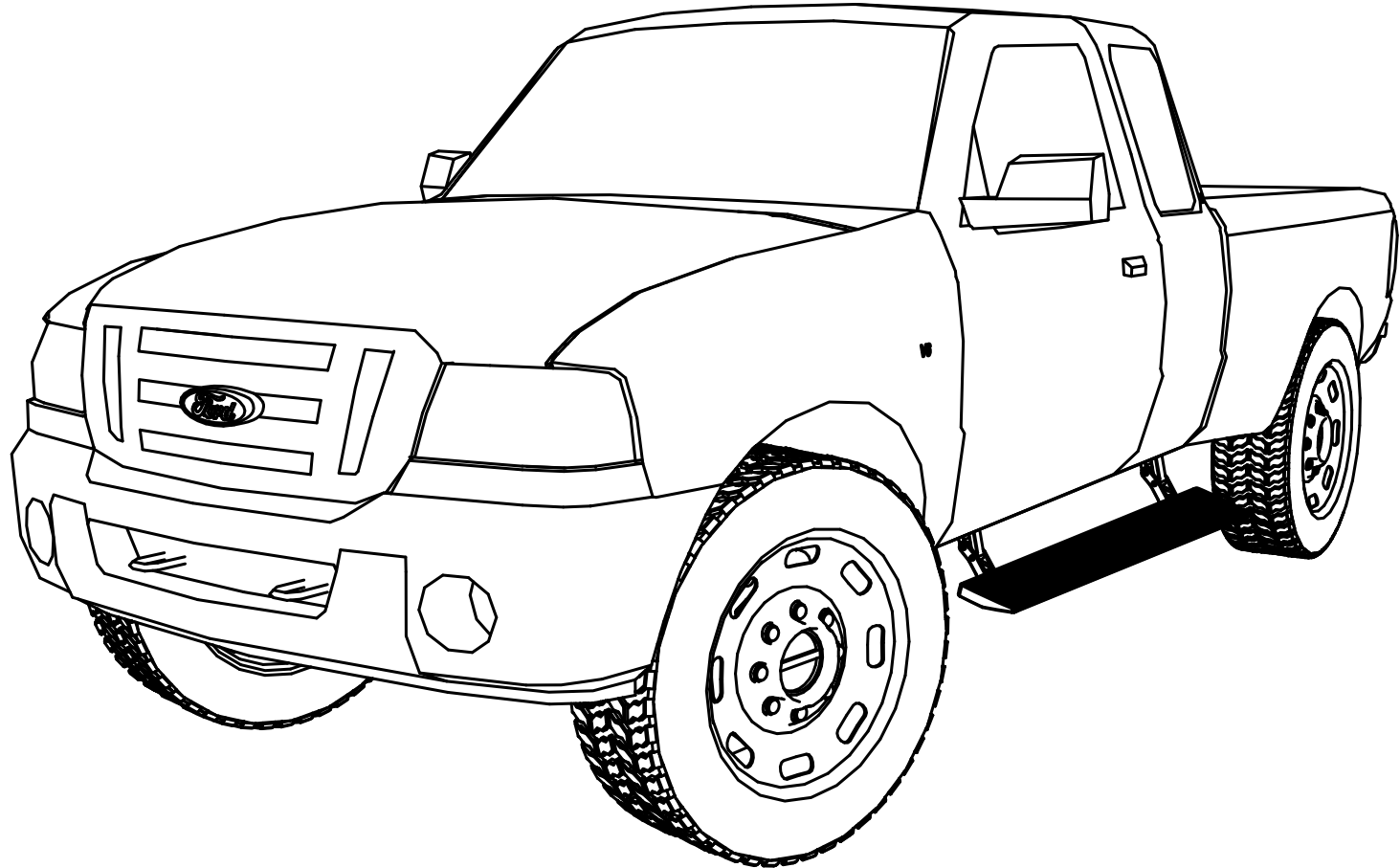
PART: PST05-1010
PST05-1030

TOOLS REQUIRED:

- ① 5 mm hex key wrench (allen wrench)
- ② 13mm socket
- ③ Pry
- ④ Wire stripper/cutter
- ⑤ Vinyl tape
- ⑥ Screwdriver

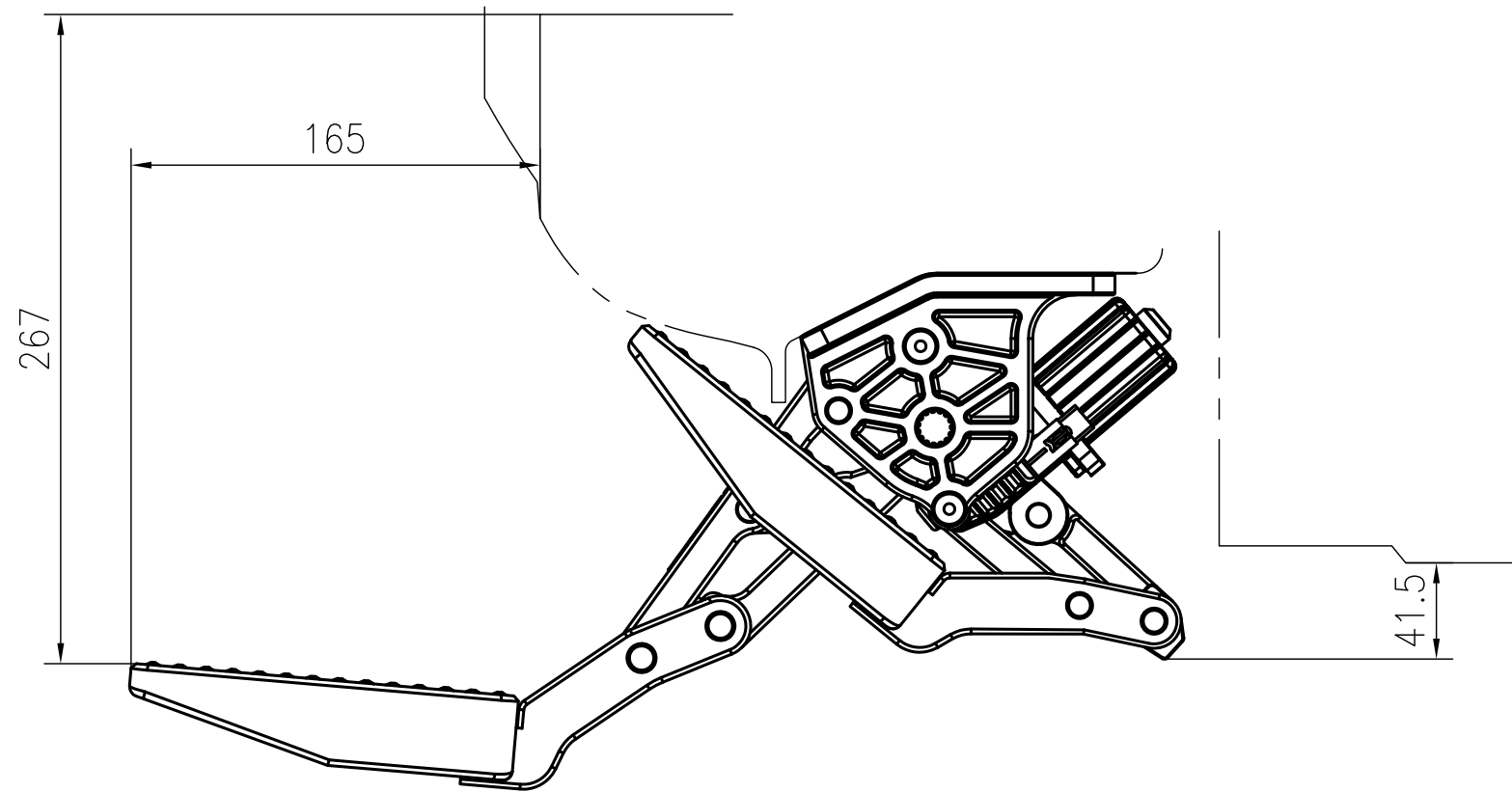
www.tmax.biz

Contents



- Product Technical Specification..... 02
- Product Packing List 03
- Mechanical Installation..... 06
- Electrical Installation..... 11
- Maintenance..... 17
- Warranty Card 18

Product Technical Specifications



Rated voltage: 12V

Rated load: $\leq 300\text{kg}$

Length: 1.86m

Gross weight: 24kg

Forward extension size: 165mm

(Horizontal distance between the edge of power board and the vehicle door when the step extends)

Step falling dimension: 267mm

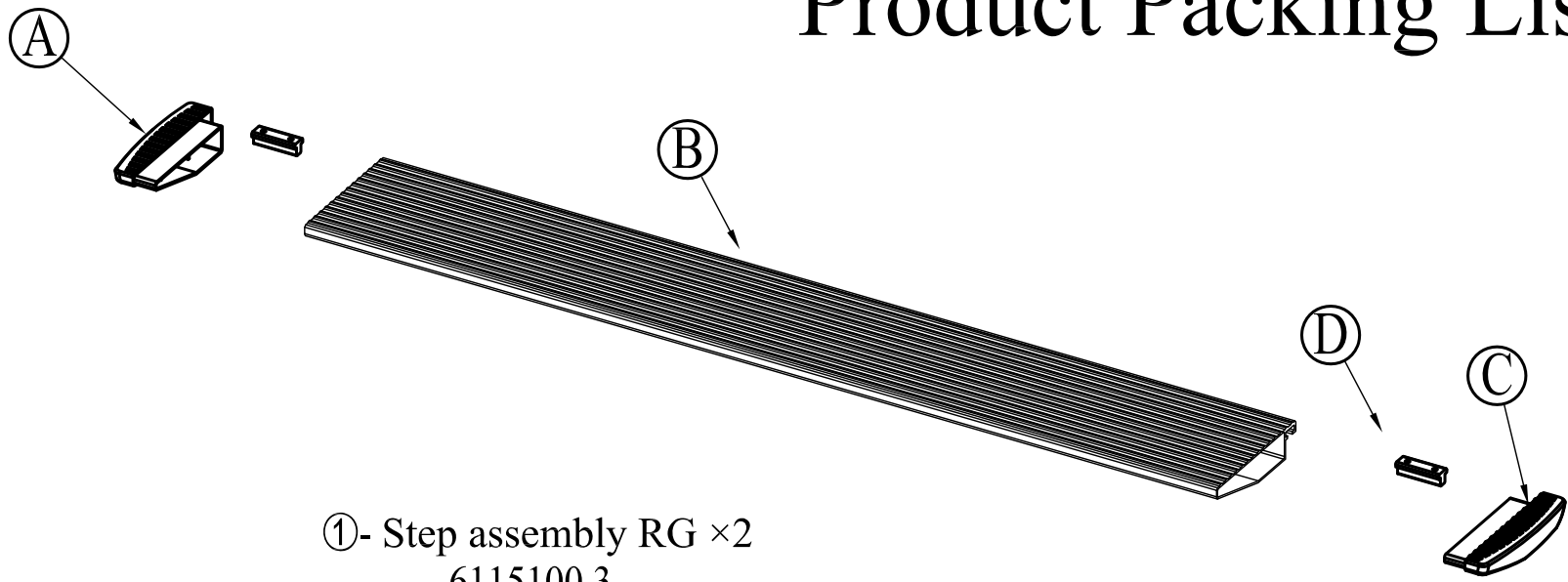
(Vertical height difference between the edge of power board and the vehicle door while step extending.)

(Both dimensions of forward and falling are theoretical, which may vary due to uncertainties such as installation error, manufacturing errors of vehicle bottom and etc.)

Note: Impact load is not allowed.

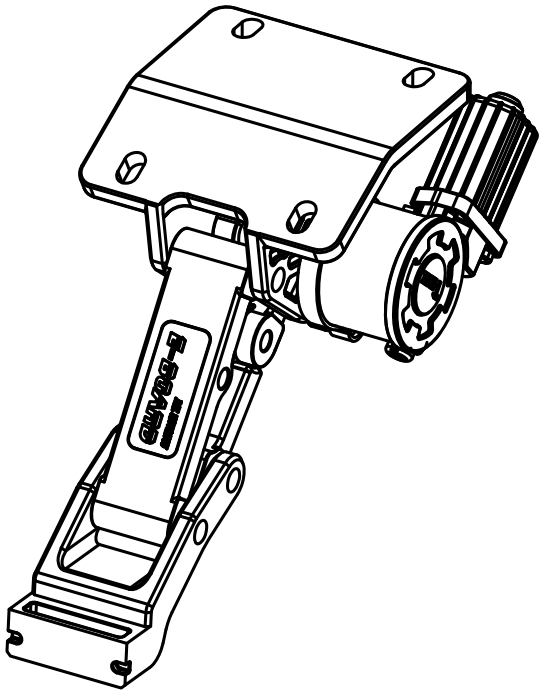
Please make sure the children and the aged will keep 25cm safe distance while power board is working to avoid any bumped or jammed.

Product Packing List

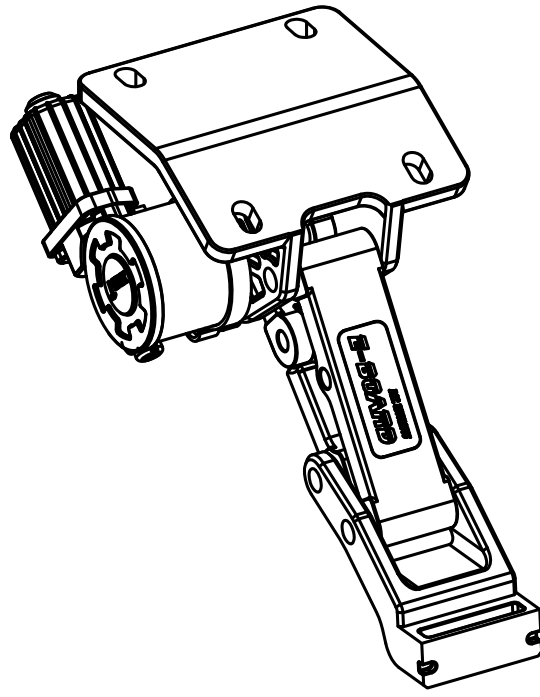


- (A) 6126100.3-4 End cap left B (×1)
- (B) 6115100.2-1 Step RG (×1)
- (C) 6126100.3-1 End cap right B (×1)
- (D) 6126100.3-3 T-nut (×2)

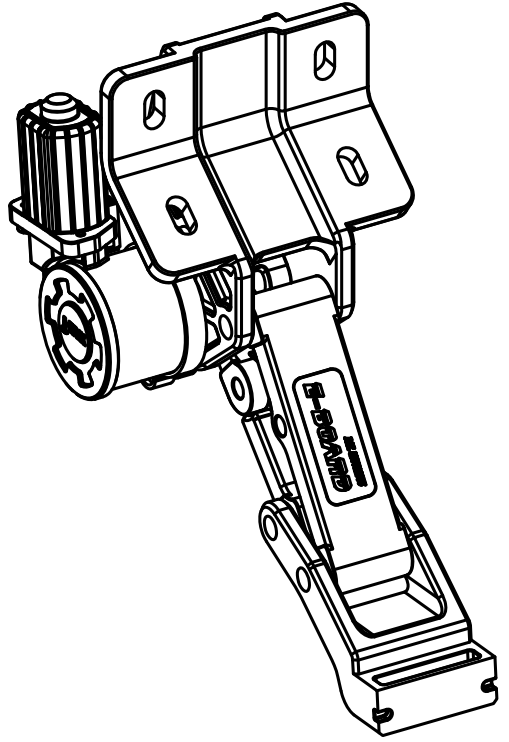
①- Step assembly RG ×2
6115100.3



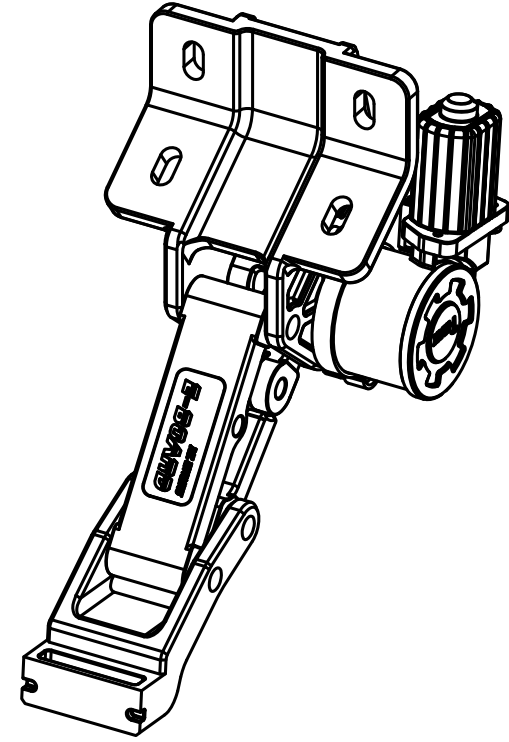
②-Front Motor Linkage Right RG-R×1
6115100.1R



③-Front Motor Linkage Left RG-L×1
6115100.1L

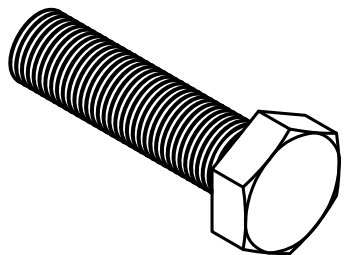


④-Rear Motor Linkage Left RG-L×1
6115100.2L

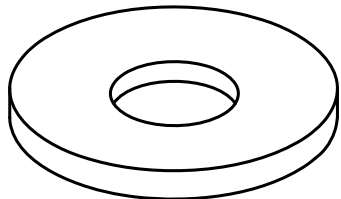


⑤-Rear Motor Linkage Right RG-R×1
6115100.2R

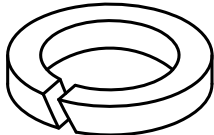
FORD RANGER T6



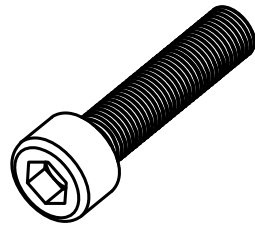
⑥- Full thread (coarse)
hexagon head bolt ×8
GB/T5783-2000 M10×35



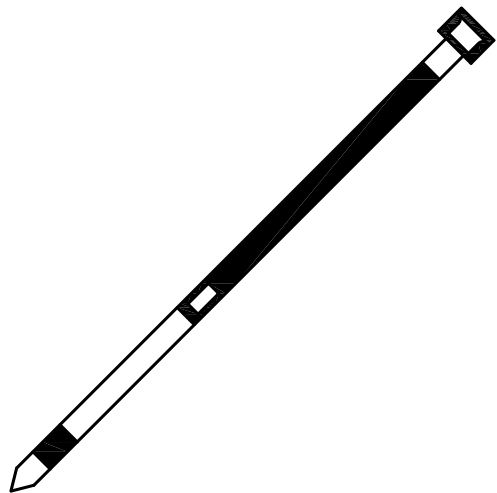
⑦-Flat washer grade A ×8
GB/T96.1-2002 10



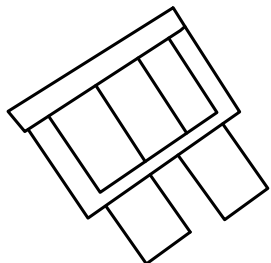
⑧-Spring washer ×8
GB/T93-1987 10



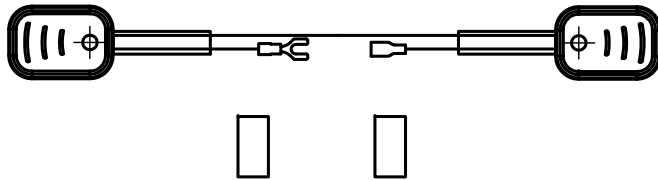
⑨-Socket Cap Bolt ×8
GB/T70.1-2000 M6×20



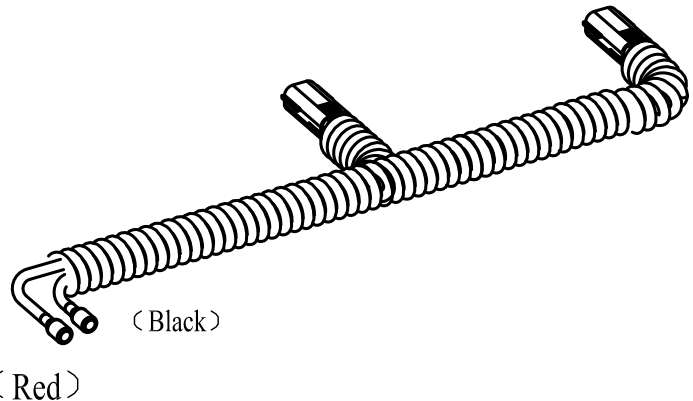
⑩-Cable tie ×25
GB/T22344-2008 5×300



⑪-25A fuse ×2

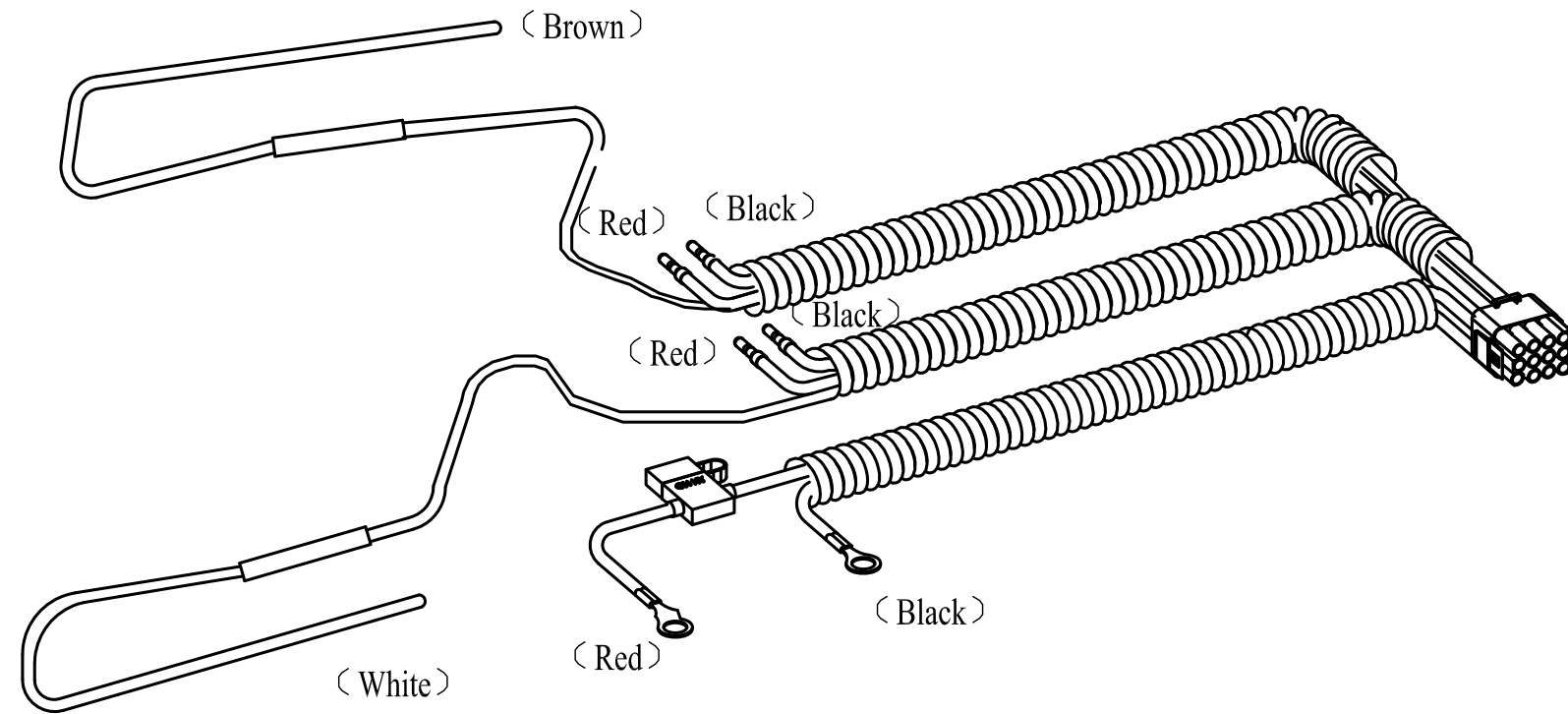


⑫-Magnetic inductor ×2
Magnet×4

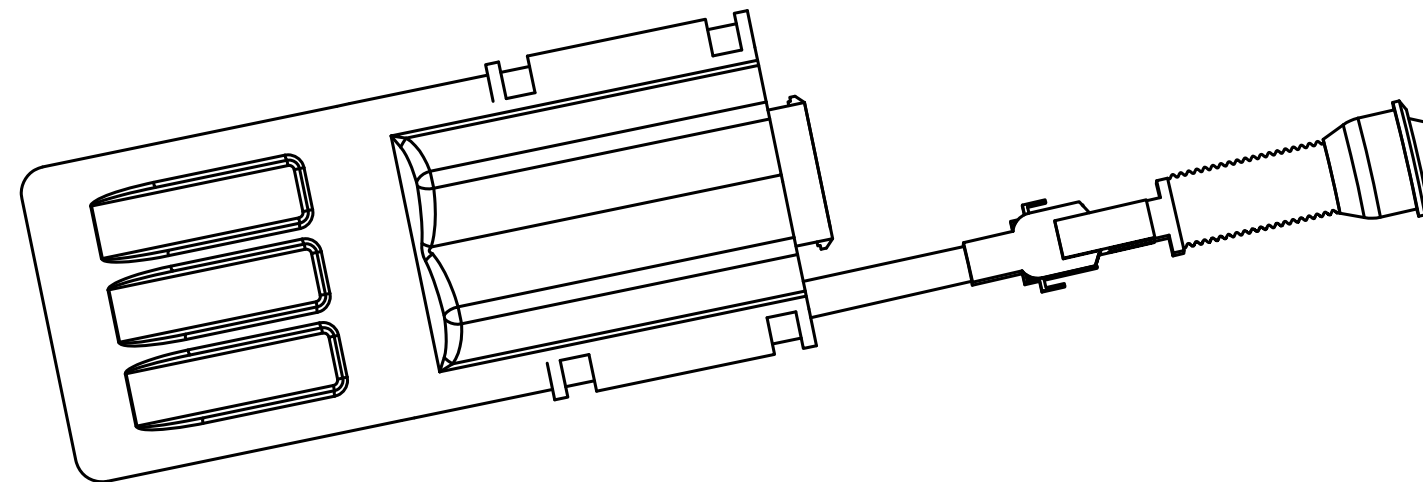


⑬-Motor connection wire RG×2
6115100.4.3

FORD RANGER T6



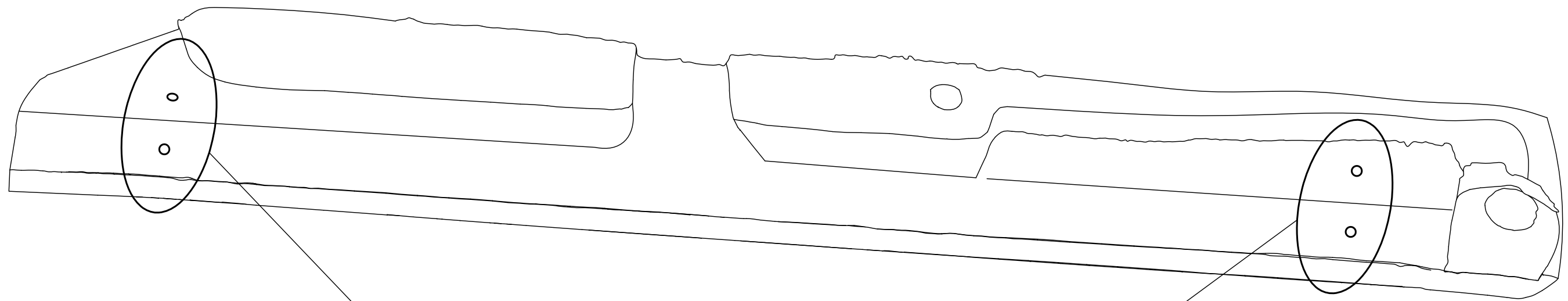
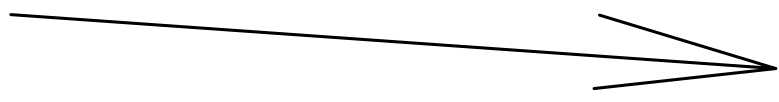
⑭ -Control input wire RG×1
6115100.4.1



⑮ -Controller assembly RG×1
6115100.4.6

Mechanical Installation

Front



Installation position

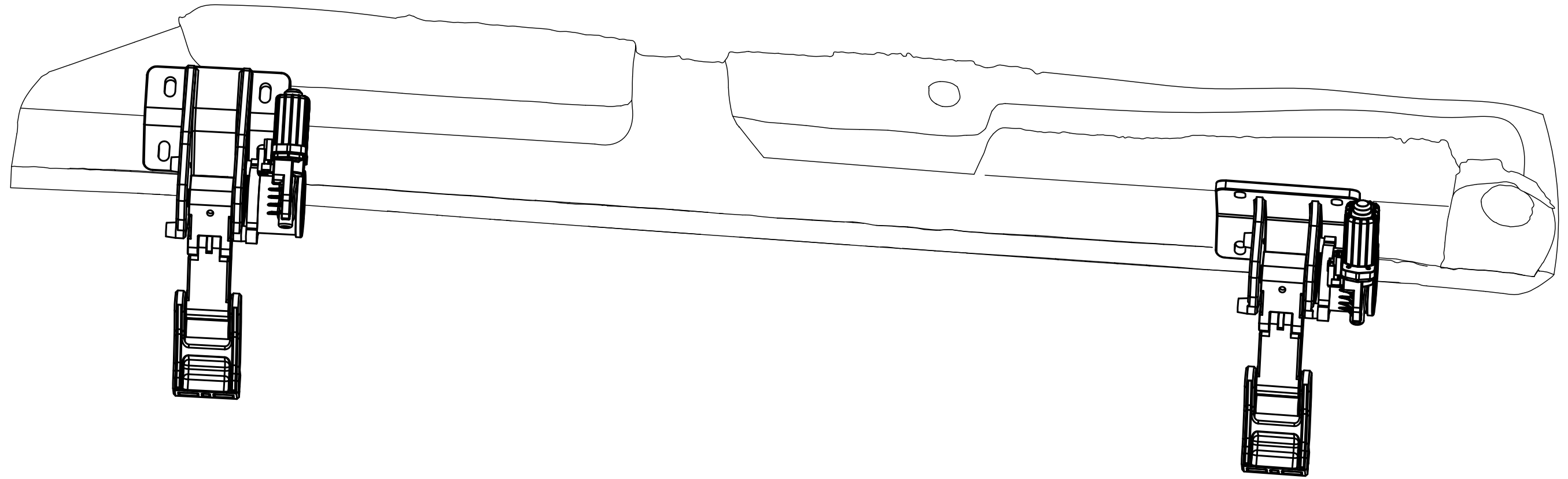
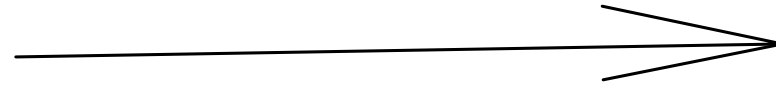
Installation position on the Left

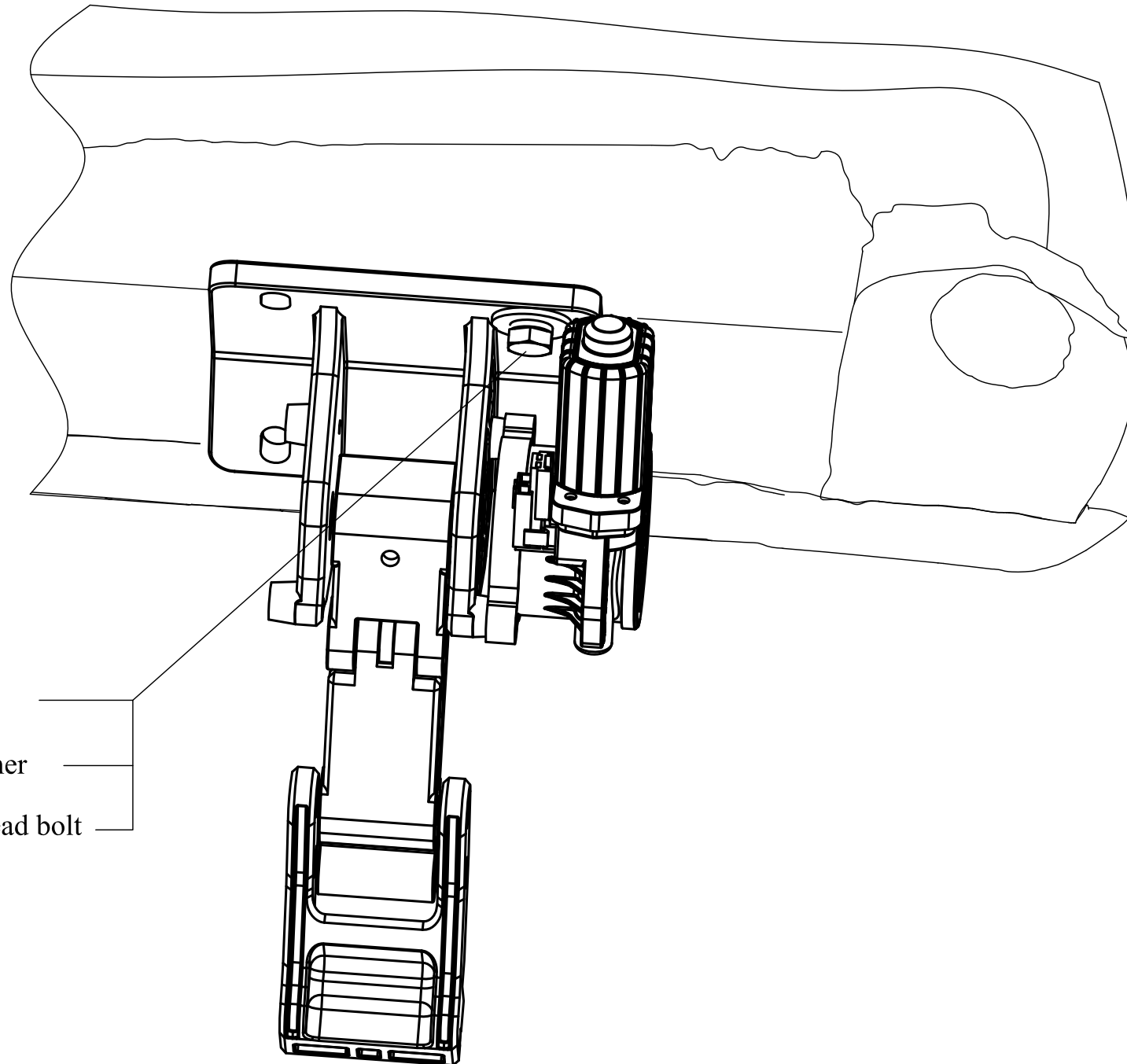
As shown in the picture: The installation hole of motor linkage should be match vehicle original step fixing hole.

FORD RANGER T6

E-BOARD®

Front





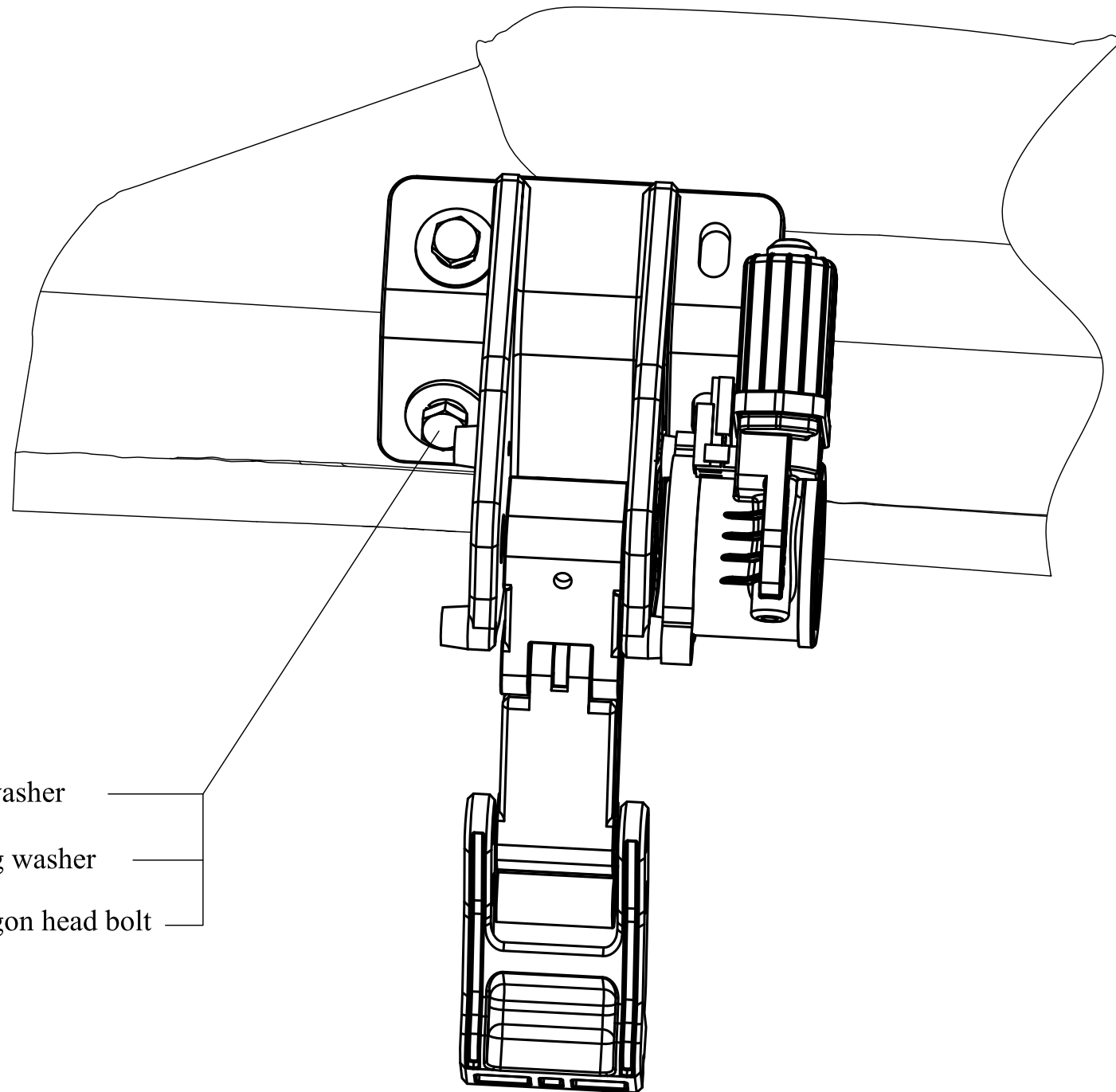
⑦ $\Phi 10$ Flat washer

⑧ $\Phi 10$ Spring washer

⑥ M10 Hexagon head bolt

Step 1: As shown in the picture, fixing the hexagon flange nut into the corresponding screw and pre-tighten it. Then fixing the hexagon head bolt (with spring washer and flat washer) into the corresponding installation hole and pre-tighten it. Tighten the above hexagon flange nut and hexagon head bolt.
(Tightening torque 30Nm)

On the front of left side

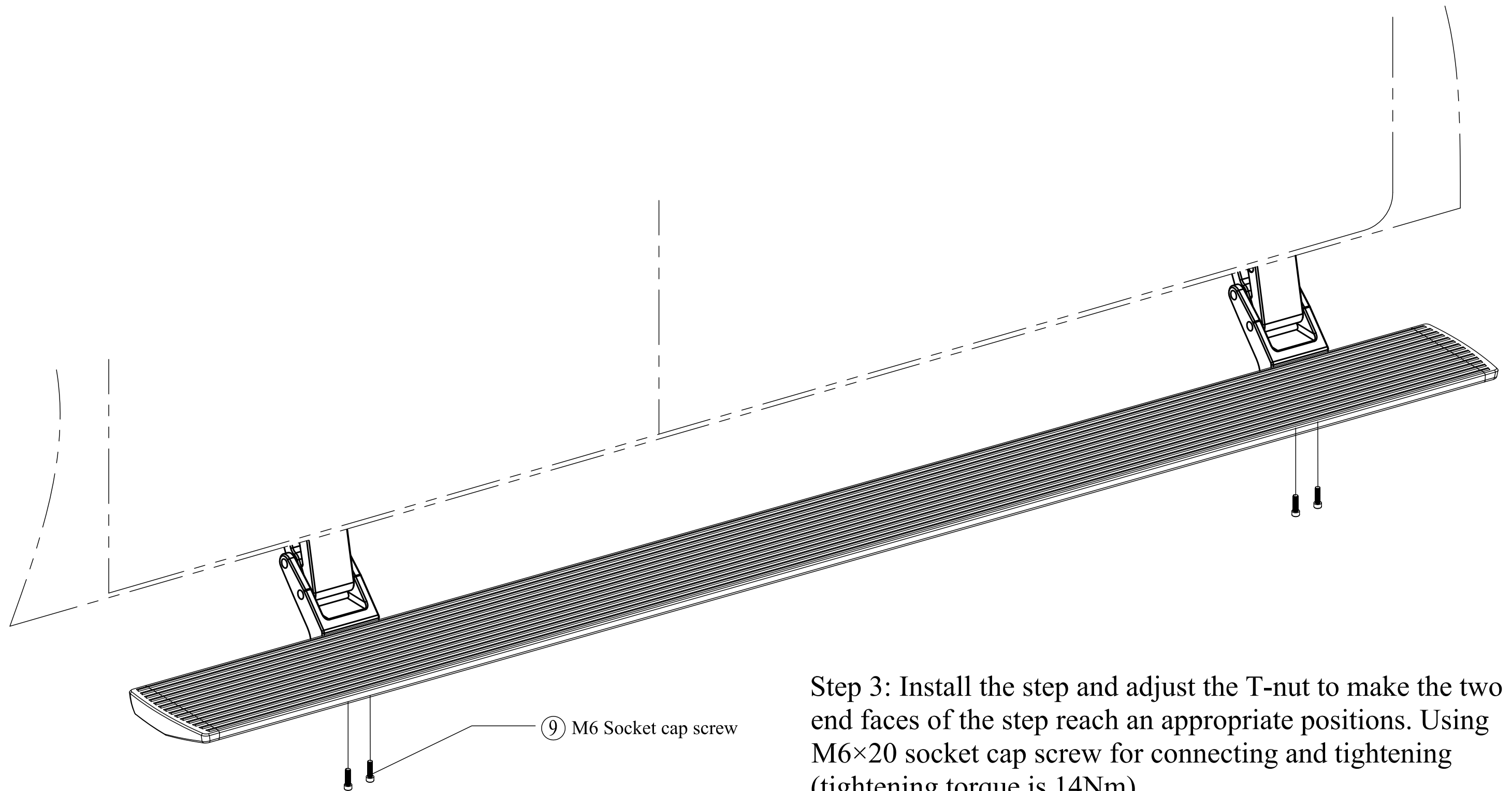


Step 2: As shown in the picture, fixing the hexagon flange nut into the corresponding screw and pre-tighten it. Then fixing the hexagon head bolt (with spring washer and flat washer) into the corresponding installation hole and pre-tighten it. Tighten the above hexagon flange nut and hexagon head bolt.
(Tightening torque 30Nm)

On the rear of the left side

FORD RANGER T6

E-BOARD®

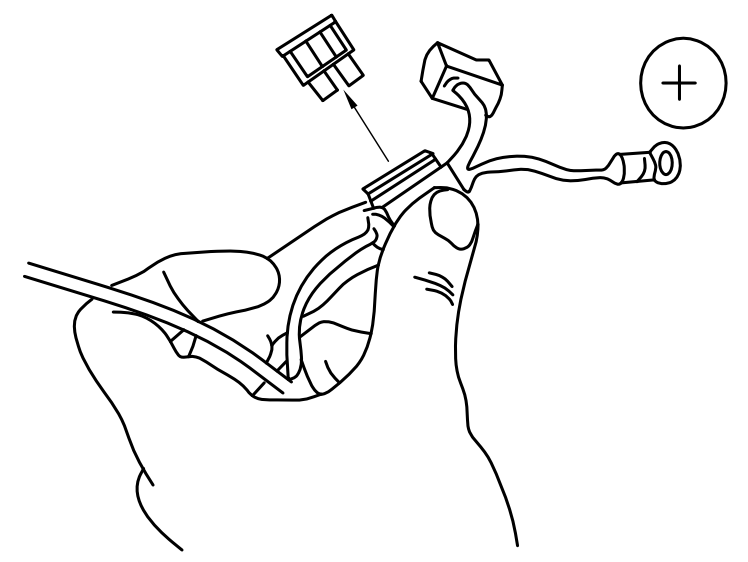
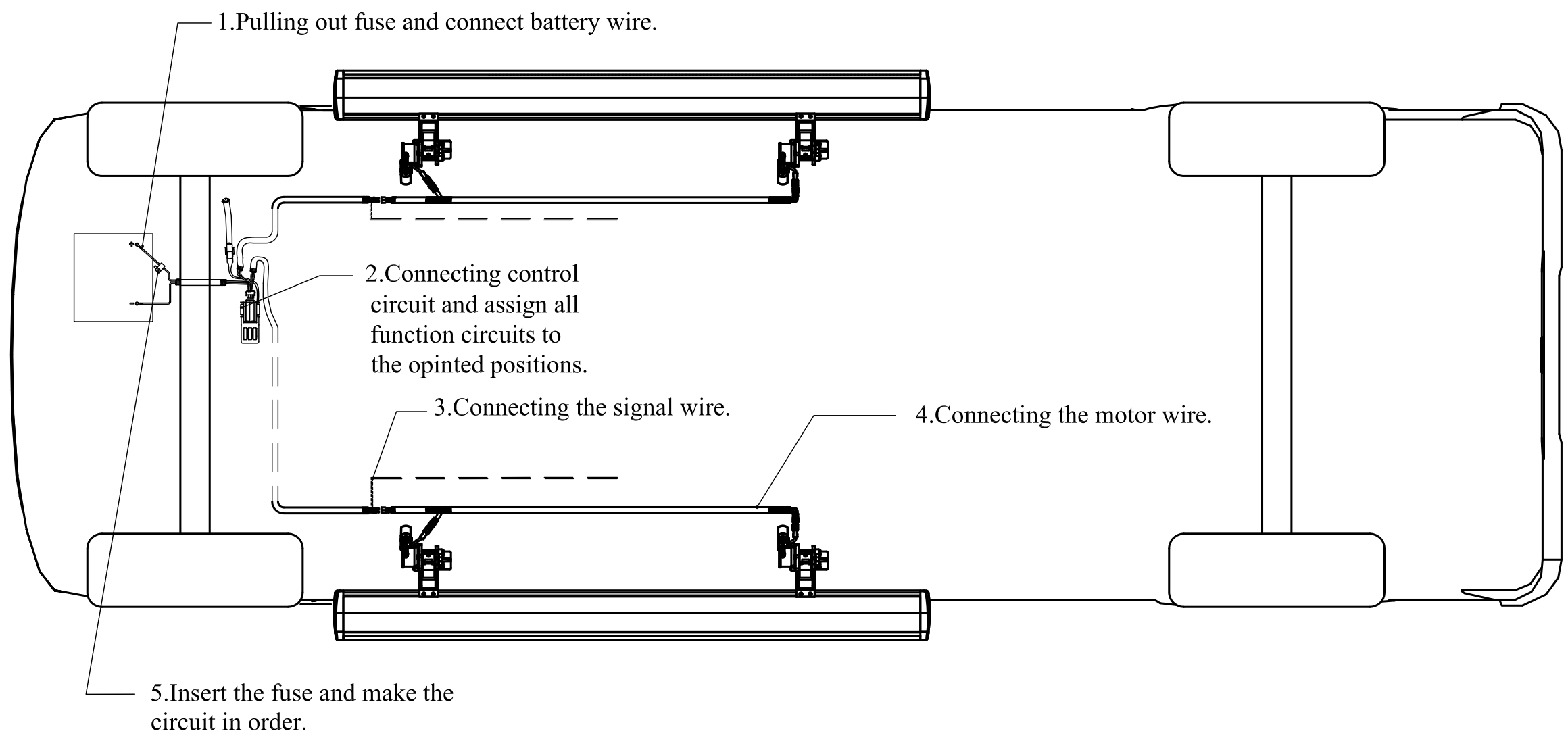


Step 3: Install the step and adjust the T-nut to make the two end faces of the step reach an appropriate positions. Using M6×20 socket cap screw for connecting and tightening (tightening torque is 14Nm).

FORD RANGER T6

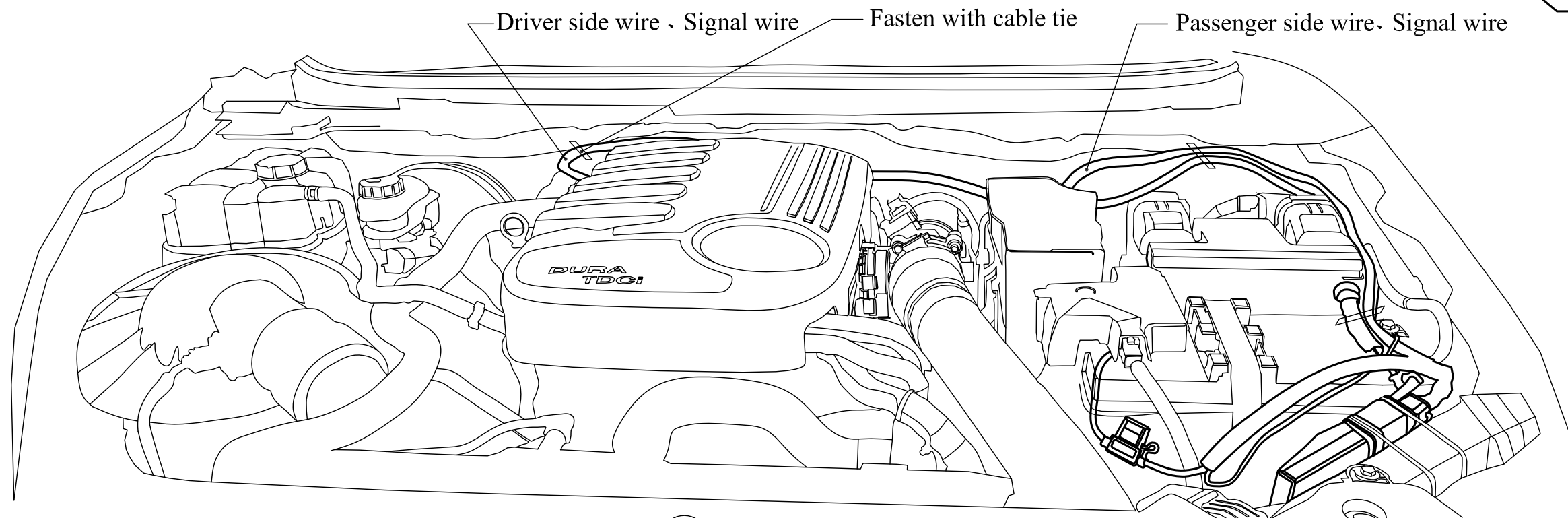


Electric Installation of
Magnetic Control

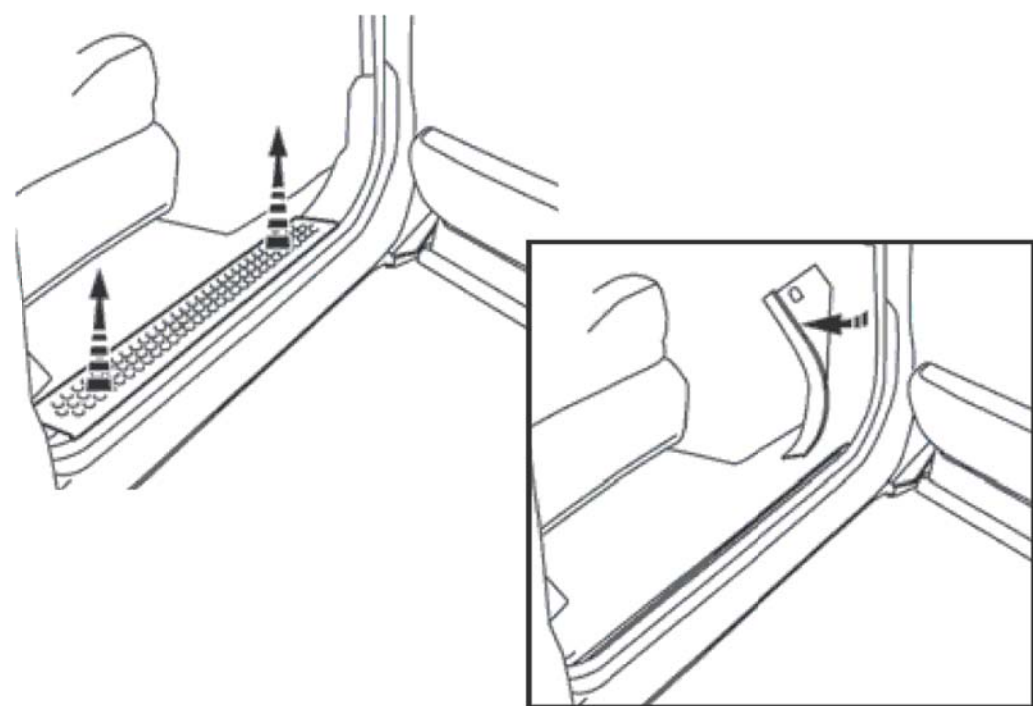


Step 4: Find ⑭ control input wire, pull out the fuse (ensuring circuit safety during installation) and connect positive and negative to vehicle battery.

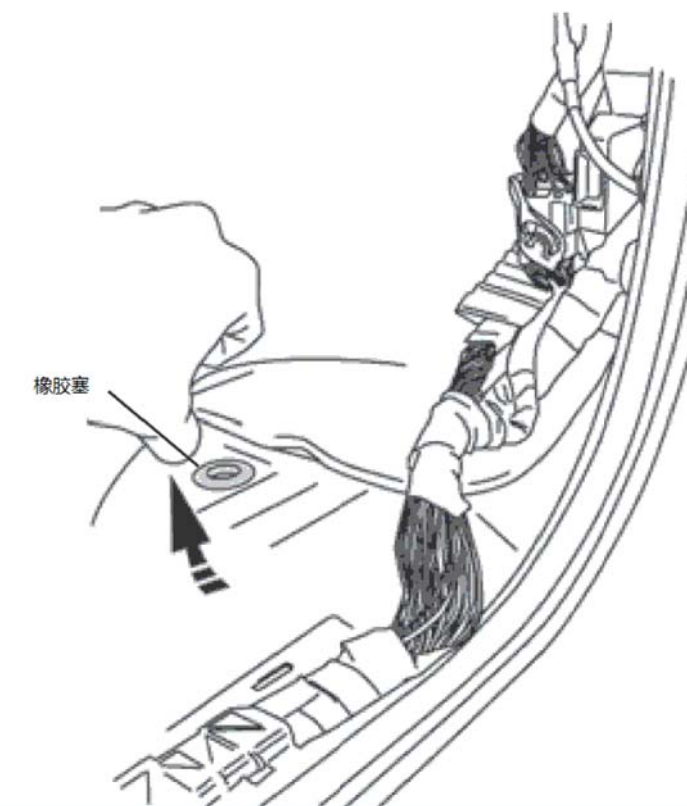
FORD RANGER T6



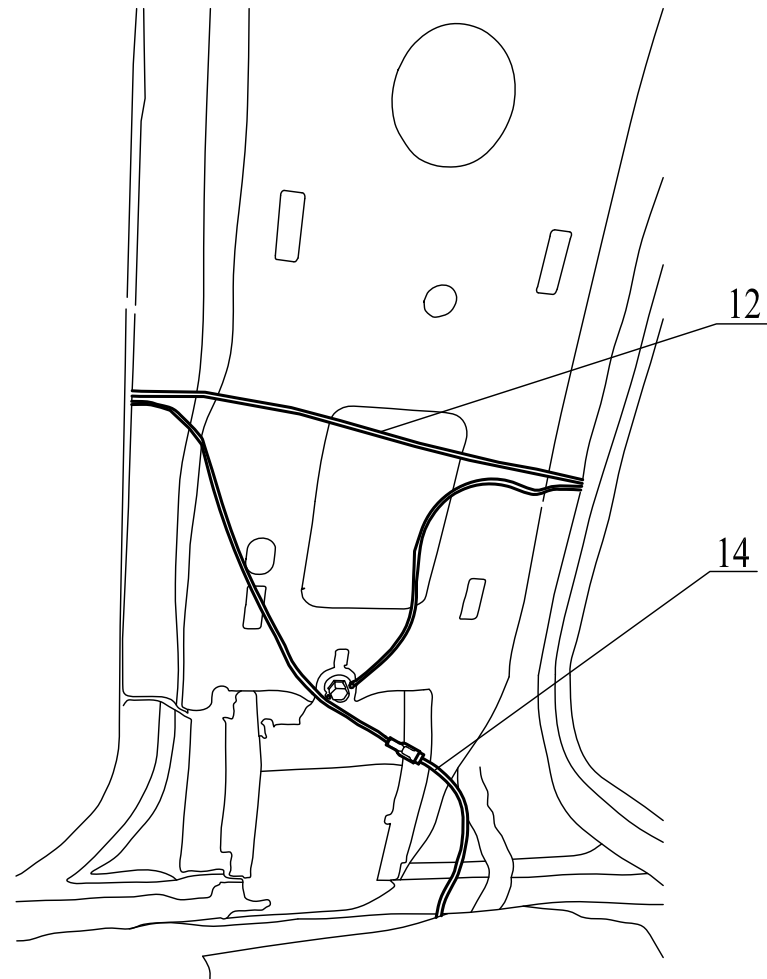
Step 5: As shown in the picture, fasten ⑮ controller assembly by cable tie, and fix up wire according to the wire label. Fixing wire by cable tie after all the wire go through the vehicle bottom, reaching vehicle bottom and inside.



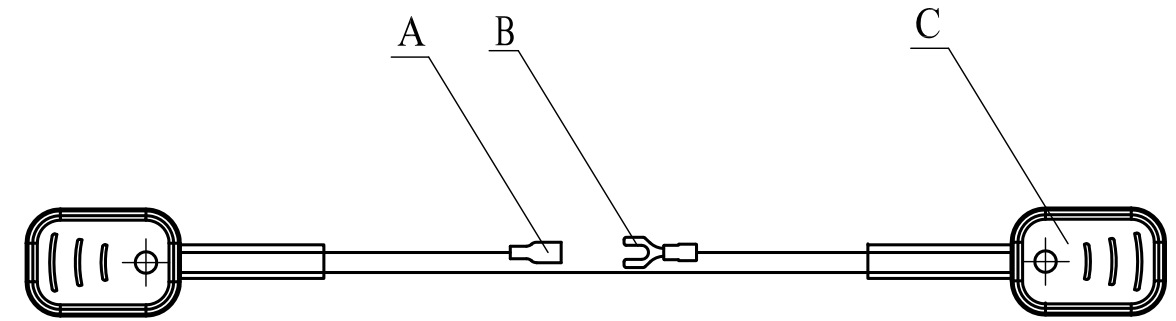
Step 6: Signal wire connection: Pry the cover plate at the front passenger side as shown in the left picture, lift the foot cushion (right picture) and two signal wires of left and right doors have to pass through from the sealing rubber cover and get into the vehicle. (A hole should be bored in advance on the rubber cover.)

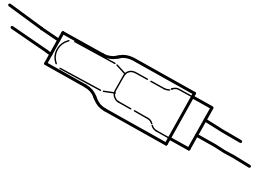
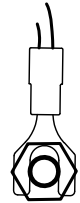
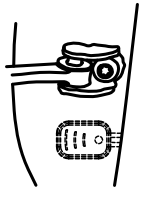
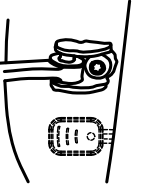



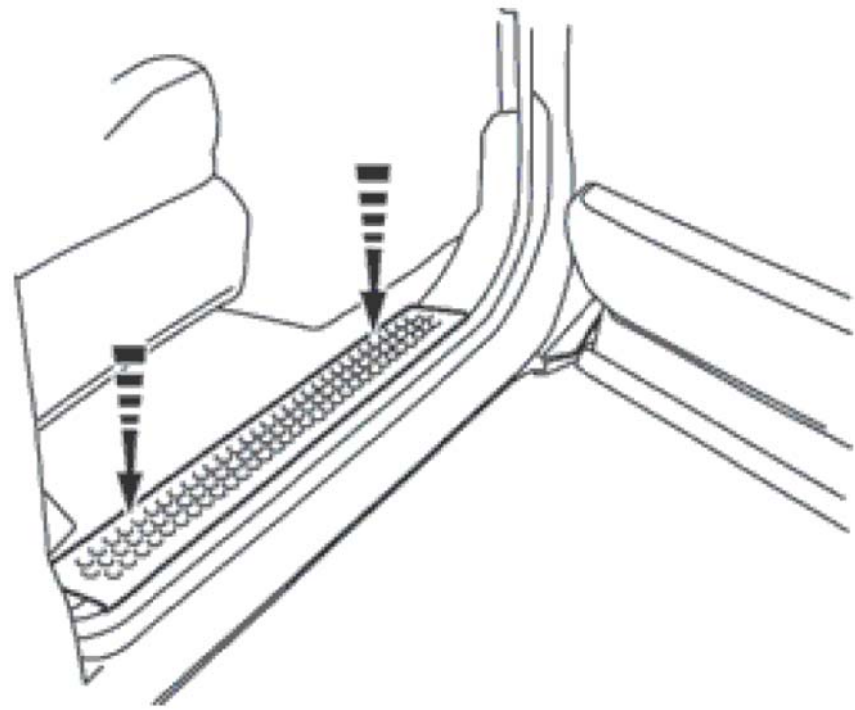
Introduction of magnetic inductor



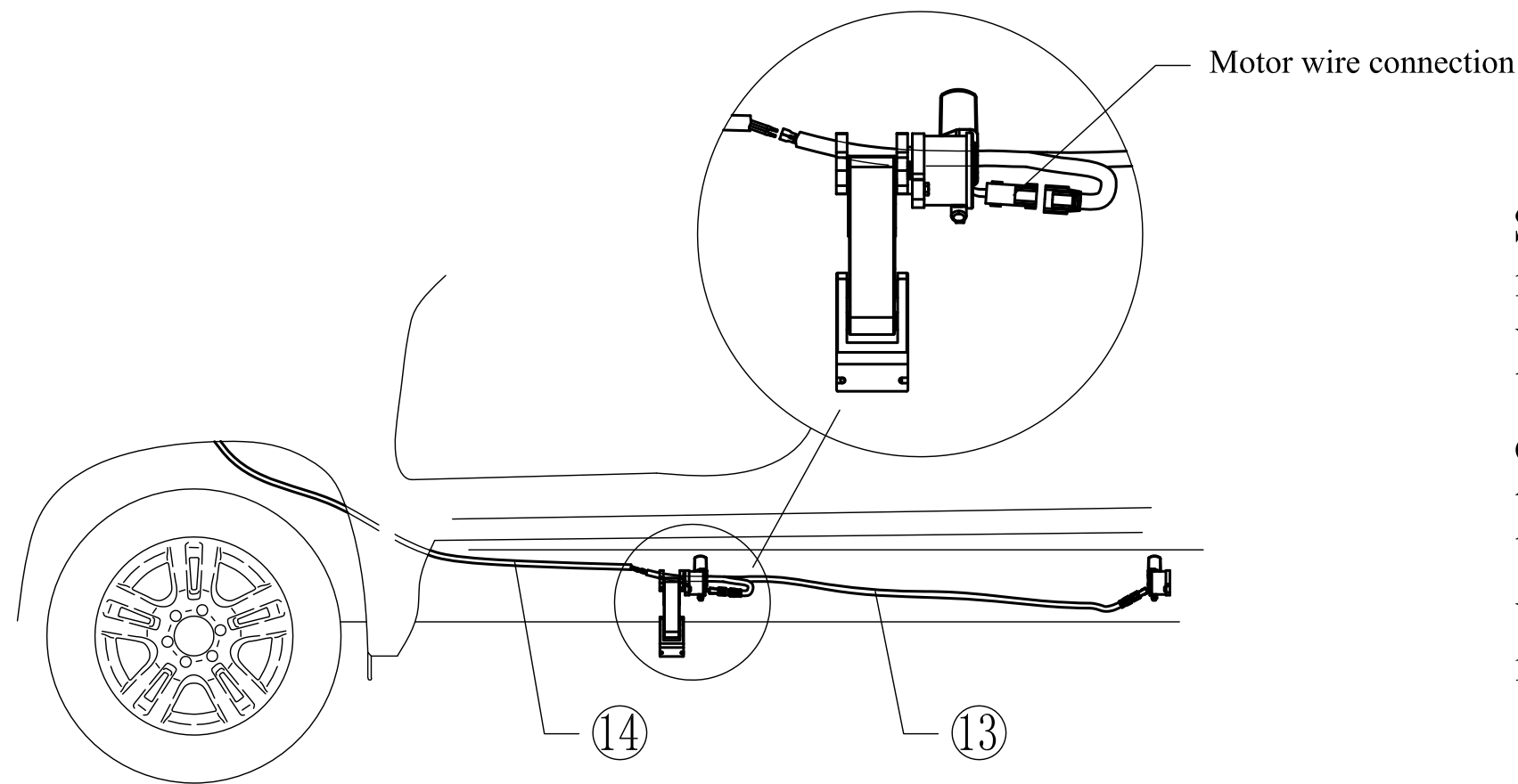
As shown in the above picture, connect signal wire of ⑭ control input wire with insulation connector A of ⑫ wire magnetic inductor, and connect terminal B with ground terminal of vehicle pillars.



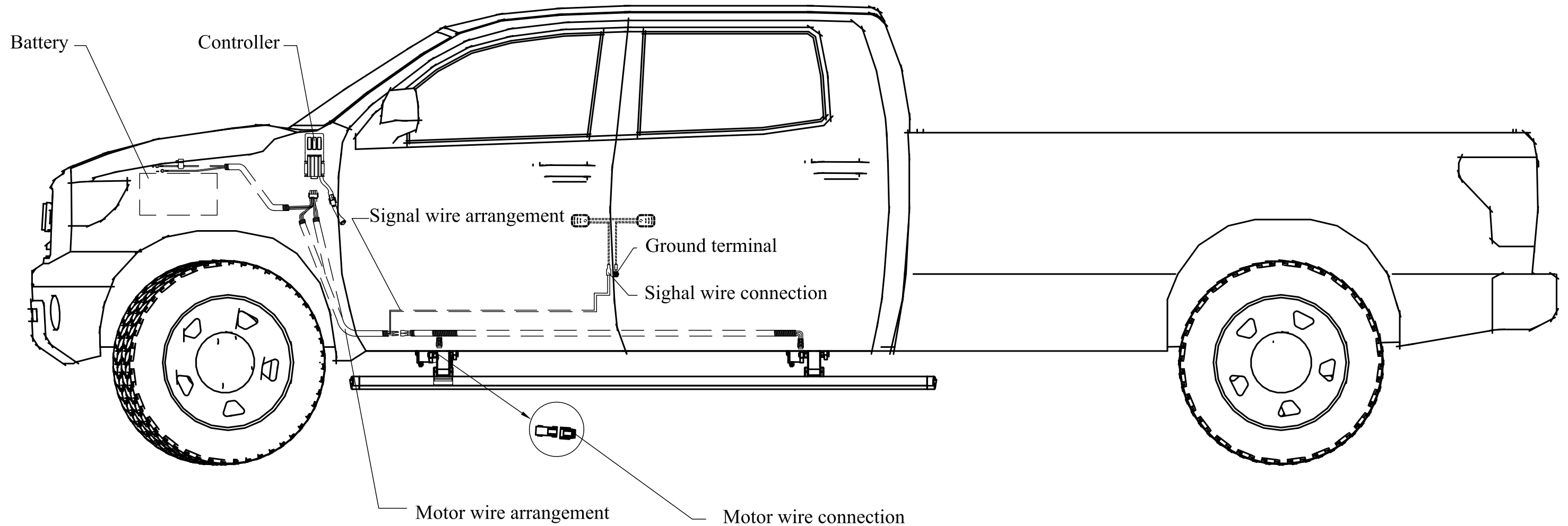
 <p>Insert the door signal wire into A.</p>	 <p>Tighten B and ground terminal of door pillars with nut.</p>	 <p>Remove the adhesive tape at the back of C, and stick one of its ends on one side of the door pillars.</p>
 <p>Stick the other end to the other side of vehicle door pillars.</p>	 <p>Stick the magnets to the inner side of the car door and keep their positions corresponding to C.</p>	



Step 7: Making the wire in order and close cover plate.



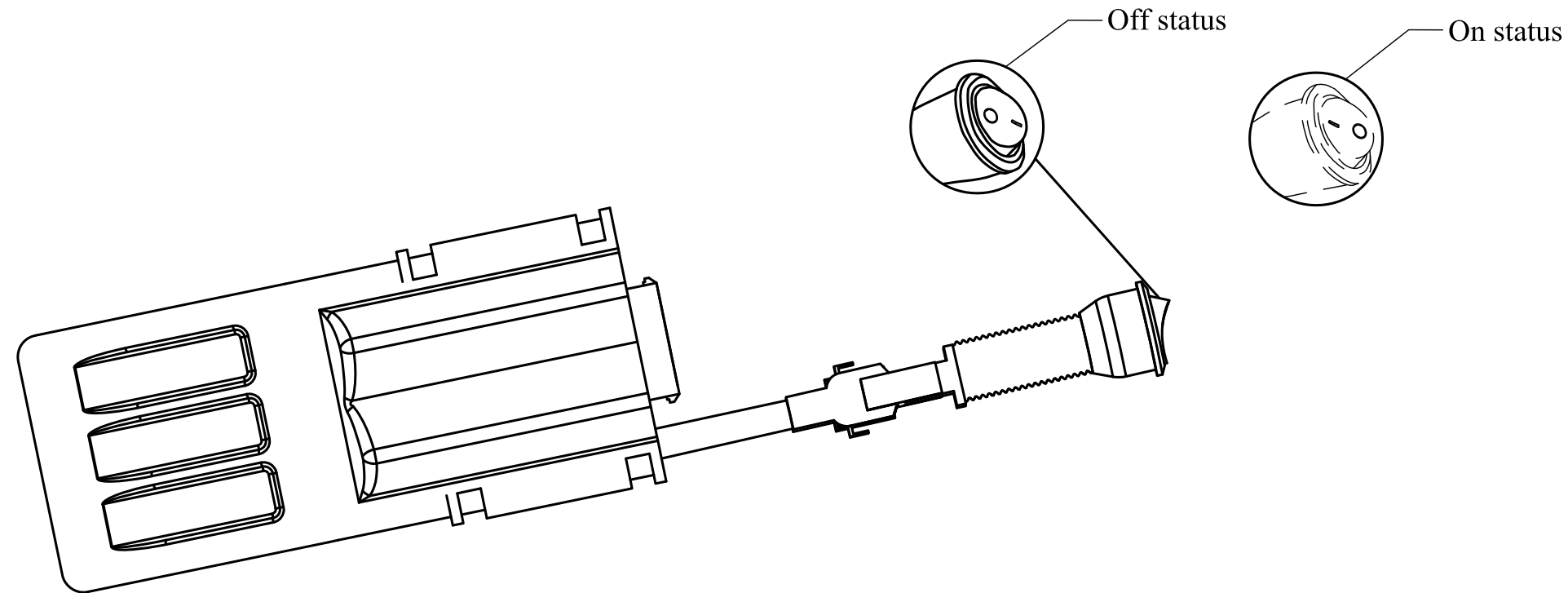
Step 8: Motor wire connection, connecting ⑬ motor connection wire with ⑭ control input wire and arrange the wire along the vehicle beam. Note that the connectors of conductors of the same color should be connected together. Same color motor connector should be connected together. Fasten the wire on the vehicle beam by cable tie to ensure the wire is neat. Same wire installation for the other side.



Step 9: Insert back the fuse, make the wire in order. Check if the circuits of all parts are installed completely and test if the step can work normally. If it can work normally, the step installation is completed. (If it cannot work normally, please check the installation of each part.)

Summary of electric part

Instructions of Emergency Switch



I. Function of emergency switch

Press the red switch button in case of any emergency or product failure to protect vehicle will not damage under these condition. Both steps will go back automatically while the emergency switch button is turned on.

II. The condition for using emergency switch:

1. Product failure;
2. User needs steps not work while the road / off-road situation is tough.
3. Please do not use power board if motor linkage or control wire is damaged.

III. Emergency switch using method:

1. Press emergency switch button, and the emergency switch is "on". And at the same time, the steps will automatically go back and stop working. In case of product failure, please contact with after-sales service.
2. Press the emergency switch button again, and the emergency switch is "off". And at the same time, the power board will return to its normal working status.
3. The original status of emergency switch is "off".

Maintenance		
3 months Periodical Inspection	Inspect the normal operation of the mechanism	
	Inspect damage for each joint of the control cable and the bare part outside of the girder	
	Inspect screws' looseness of motor and power board	
Special Case Inspection	Clean sediment on time for power board and its components	
	Clean ice on time for power board and its components	
Maintenance card		
The board couldn't activate when doors open and close	Electrical Malfunction	Fault of wiring the battery
		Fault of wiring door signal
		Fault of controller
		Fault of motor wiring
		Fault of motor
	Inspect the wiring according to the wiring layout when the door control signal failure occurs	
	Mechanics Malfunction	An object is block the board
		Boards are not mounting symmetrical

Note: In the use process, you may meet some other unknown trouble. Please contact us timely to feedback the problems, we will solve it for you as soon as possible. Thank you!

T-MAX Product Warranty Instructions

Thank you very much for using our product!

I Maintenance Instruction

- 1、 During warranty period, T-MAX provides free maintenance for any malfunction related to the manufacturer. Warranty period lasts 24 months or 5 kilo in 2 years after sale. For individual related faults, T-MAX provides paid maintenance.
- 2、 T-MAX promises to provide lifetime maintenance for Way Past Warranty and only charges for necessary material and labor. The charging standard refers to the ATM fee scale of local T-MAX terminal service provider.
- 3、 For all replaced parts, T-MAX ensures to provide maintenance within 12 months after the replacement.
- 4、 The ownership of the old parts from the replacement belongs to T-MAX (Hangzhou) Technology Co., Ltd.
- 5、 Within the limit of law, the interpretation of warranty policy belongs to T-MAX (Hangzhou) Technology Co., Ltd.

II Situations below will not offer free warranty:

- 1、 No warranty certificate;
- 2、 Fault caused by customer's misusing or Incorrect installation
- 3、 Fault caused by none professional maintenance staff's disassembly
- 4、 Fault caused by force majeure.
- 5、 Fault, scratch and torn due to movement or falling
- 6、 Fault caused by improper maintenance or misusing

III、 Precautions:

- 1、 In the case of extreme off-road, electric pedal is not recommended to avoid the damage of the pedal;
- 2、 After extreme off-road, start maintenance for electric pedal to protect the performance and the longevity of the pedal;
- 3、 Electrical parts: Check the control lines in T-MAX Terminal Services branch regularly;
- 4、 Mechanical parts: Pedal and pedal components should be cleaned up promptly when sediment appears;
- 5、 Power board should be using frequently. The idle time should not exceed three months;
- 6、 Power board need maintenance regularly in T-MAX terminal service branch;

Warranty card

Product Type		User name	
Product Name		Tel	
Factory number		Address	
Date of purchase			
Shop of purchase			

Maintenance records

Date	Fault Descriptions	Fault Reasons	Result	Note

- 7、Forbidding high temperature when using the power board;
- 8、 The heads of both sides of the single pedal are made of plastic. They are pedal's exterior decorating parts. Do not board;
- 9、 Do not put thick mats or other debris on power board to avoid the danger of wrong strpping on the pedal;
- 10、 After initial installation, please pay attention to check for looseness. Tighten screws if necessary. Usually after 3-5 times retractable rear door switch pedal in place, the power board could be fixed finally and checked regularly;

11、 How to exclude unexpected failures of power board?

The board couldn't activate when doors open and close

① Electrical fault: the connection point and line failure, the gate control trigger line failure, controller failure, the electrical motor cable failure, motor failure; send to local T-MAX Terminal Services branch to detect and repair.

② Mechanical faults: a foreign object obstruction pedal movement, the installation of two pedal mounting surfaces is not at the same level; send to local T-MAX Terminal Services branch to detect and repair. Pedal when the door is reflected insensitively.

Gate control signal is error. Send to local T-MAX Terminal Services branch to check the wiring according to the control wiring diagram.

E-BOARD[®]

Produced by
T-MAX(HANGZHOU)TECHNOLOGY CO.,LTD

www.tmax.biz