



**Installation Instructions for TLCP4CA
Toyota Landcruiser Prado
75L Auxiliary Tank**

This auxiliary tank fits forward of the rear axle on the LH side of the vehicle. The system operates via a fuel transfer system. Fuel is transferred via an electric pump that will pump fuel from the auxiliary tank into the OEM tank. A combination switch/gauge will be located into a suitable position in the dash. When the switch is in operation an **ORANGE** light will be on, indicating that the transfer pump is in operation. A series of lights will also indicate fuel level. All **GREEN** lights ON showing FULL, one **RED** light flashing showing empty.

(DO NOT OPERATE TRANSFER PUMP WITH NO FUEL IN AUXILIARY TANK OR PUMP FAILURE WILL OCCUR).

1. Carry out necessary wiring and installation of switch/gauge as per diagram provided.
2. Remove the standard filler neck from the vehicle and install the new twin filler neck provided. Ensure the fast fill hoses are crossed over as per diagram provided. This will prevent splash back when filling.
3. Remove and discard the small bracket bolted to LH side chassis rail as per diagram provided. Unbolt the hand brake cable for round chassis crossmember, remove cable mounting clip from cable then refit same clip to cable again turned 180° from standard this will later be bolted up to rear tank bracket.
4. Screw all brass fittings into fuel tank sockets as per diagram provided, using suitable thread sealer, and mount fuel pump to tank complete with fittings as shown. Lift tank into position and secure. Refit hand brake cable to rear tank bracket using hole provided. **NOTE:** Some non-Australian specification factory single-tank Prado's are missing the factory mounts for the auxiliary tank. In this case, the new bolt on the front secondary bracket and weld on rear secondary bracket will be required. Position the tank to confirm location of the secondary brackets.

5. Install steel fill pipe into position and secure with hoses provided. Fit and secure all other necessary hoses, wires and filter, check tank to body clearances, fill with fuel and check for leaks. Check system operation.

**NOTE: USE A HIGH QUALITY SEALER ON ALL JOINS AND FITTINGS E.G. PERMATEX 3J
WE ALSO RECOMMENDS SOLDERING ALL WIRING CONNECTIONS**



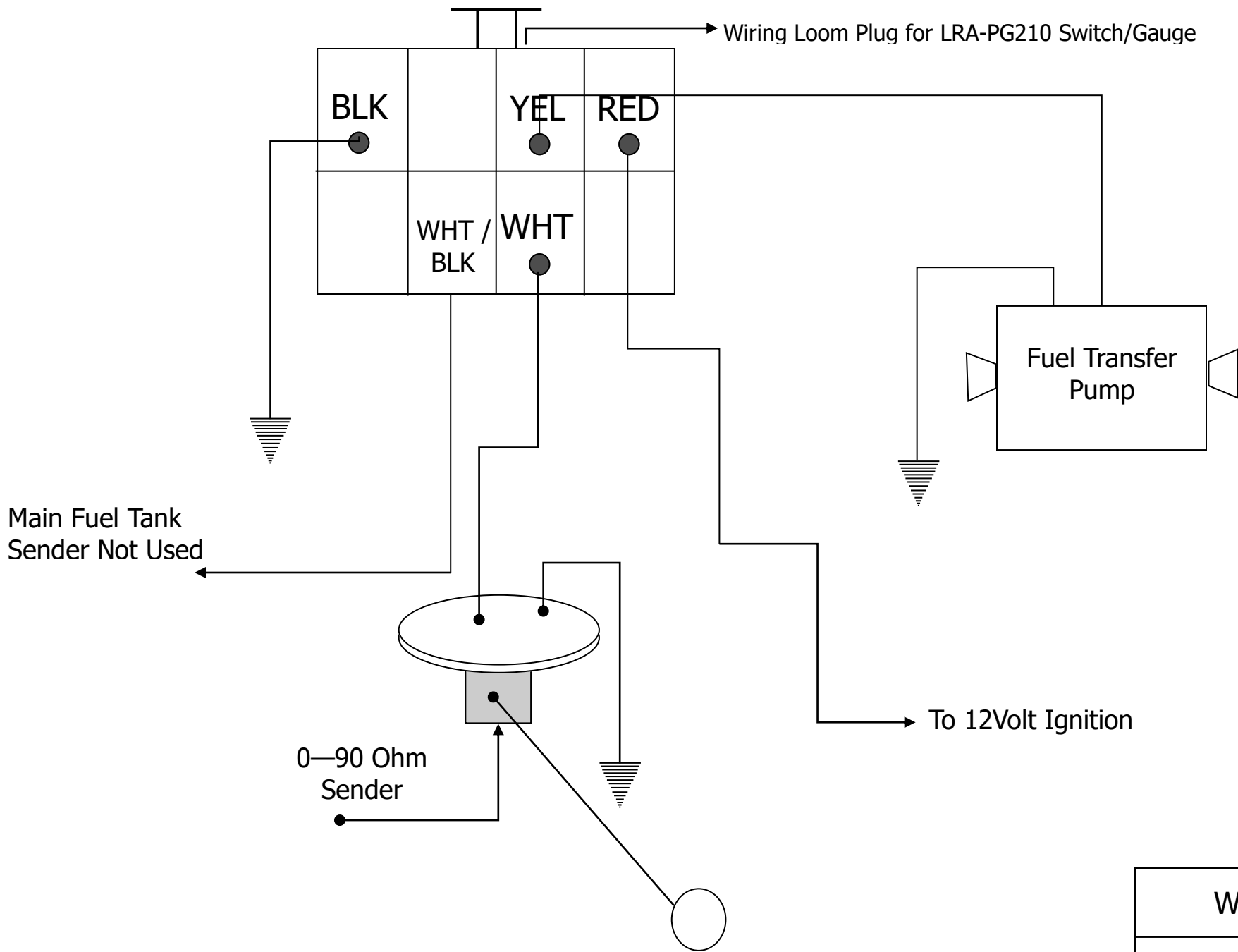
FITTING KIT CONTENTS TLCP4CA

Brass: <ul style="list-style-type: none"> ○ 1 x P6 1/2 x 1/4 12mm Elbow ○ 1 x P6 5/16 x 1/4 8mm Elbow ○ 1 x P6 1/4 x 1/8 6mm Elbow ○ 1 x P3 1/4 x 1/8 6mm Straight ○ 1 x P3 5/16 x 1/8 8mm Straight 	Electrical: <ul style="list-style-type: none"> ○ 1 x LRA-PG210 Switch/Gauge ○ 1 x 6m 3mm Twin Core Wire ○ 2 x Red Male Terminals ○ 2 x Red Insulated Female Terminals ○ 1 x Red Earth Eye Terminal ○ 1 x Blue 8mm Earth Eye Terminal
Bolts / Nuts: <ul style="list-style-type: none"> ○ 1 x TEK Screw (For Switch Gauge Earth) ○ 1 x M10 x 25 Fine Thread Bolt ○ 5 x M8 x 25mm Bolts ○ 6 x M8 x 25 Flat Washers ○ 5 x M8 Spring Washers ○ 1 x M8 Nut ○ 5 x M5 x 10mm Pan Head Screws (For Sender Unit) 	Misc Parts: <ul style="list-style-type: none"> ○ 1 x Fill Pipe #FPTPAUX ○ 1 x Twin Filler Neck #TFTPAUX with Rubber Sleeve <p><u>FOR EXPORT ONLY</u></p> <ul style="list-style-type: none"> ○ 1 x Front Secondary Bracket ○ 1 x Rear Secondary Bracket
Hose Clamps: <ul style="list-style-type: none"> ○ 8 x 1/4" Hose Clamps ○ 4 x 1/2" Hose Clamps ○ 4 x 11/4" Hose Clamp ○ 1 x C11 Clamp With 5/16" Nyloc Nuts & Washers 	Cable Ties: <ul style="list-style-type: none"> ○ 10 x 7" Cable Ties ○ 4 x 11" Cable Ties
Sender: <ul style="list-style-type: none"> ○ 1 x VDO 220-004 0-900HM Sender With 300mm Earth Wire Soldered On - Setup and Installed In Tank 	Pumps & Filters: <ul style="list-style-type: none"> ○ 1 x Z14 Fuel Filter ○ 1 x Fuel Pump ○ 1 x Pump Mounting Bracket

Hose:	7 Pages of Fitting Instructions Consisting of:
<ul style="list-style-type: none">○ 1 x 6mm Fuel Hose @ 1300mm○ 1 x 8mm Fuel Hose @ 1000mm○ 1 x 8mm Fuel Hose @ 250mm○ 1 x 12mm NTP Hose @ 600mm○ 1 x 12mm NTP Hose @ 1450mm○ 1 x 38mm Fuel Hose @ 100mm○ 1 x 38mm Fuel Hose @ 160mm	<ul style="list-style-type: none">○ 2 x Pages Fitting Instructions○ 2 x Pages Fitting Kit Contents○ 1 x Page WDSGPG210 Diagram○ 1 x Page Twin Filler Diagram○ 1 x Page Layout Diagram

Kit Packed By _____

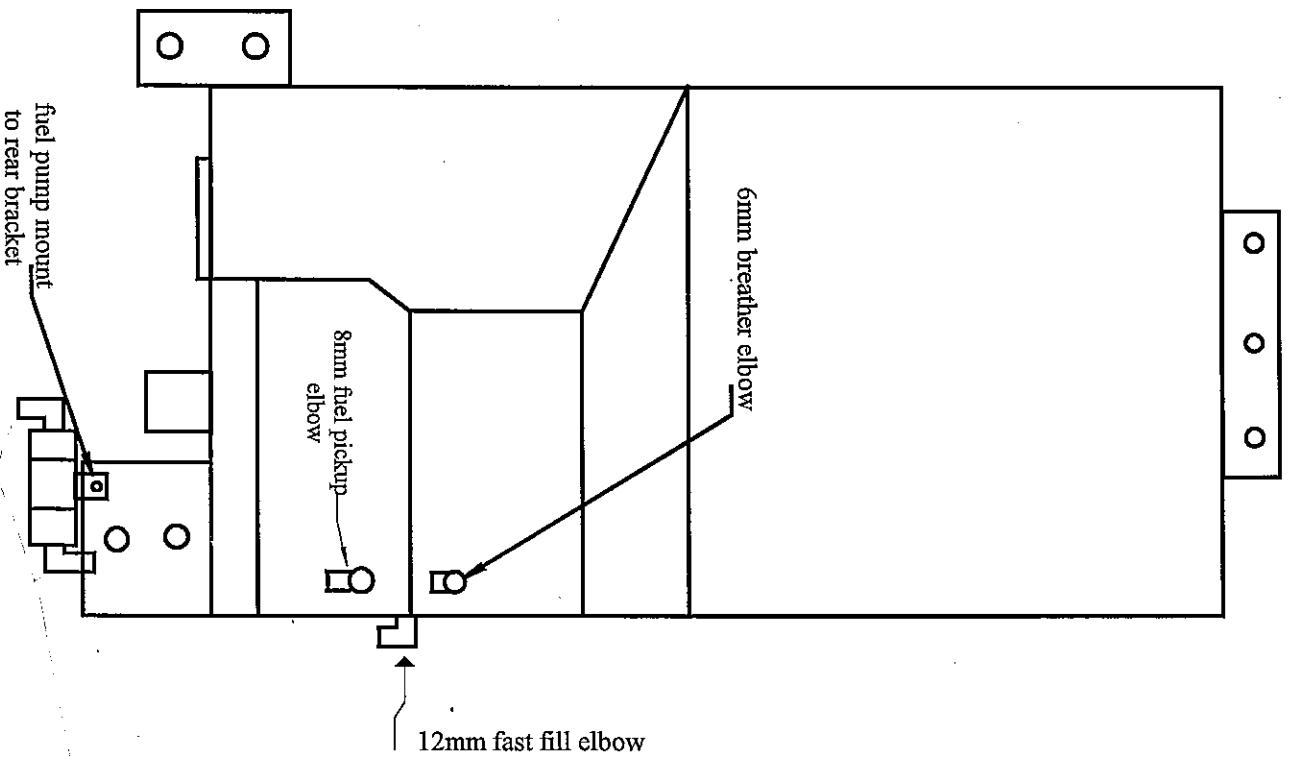
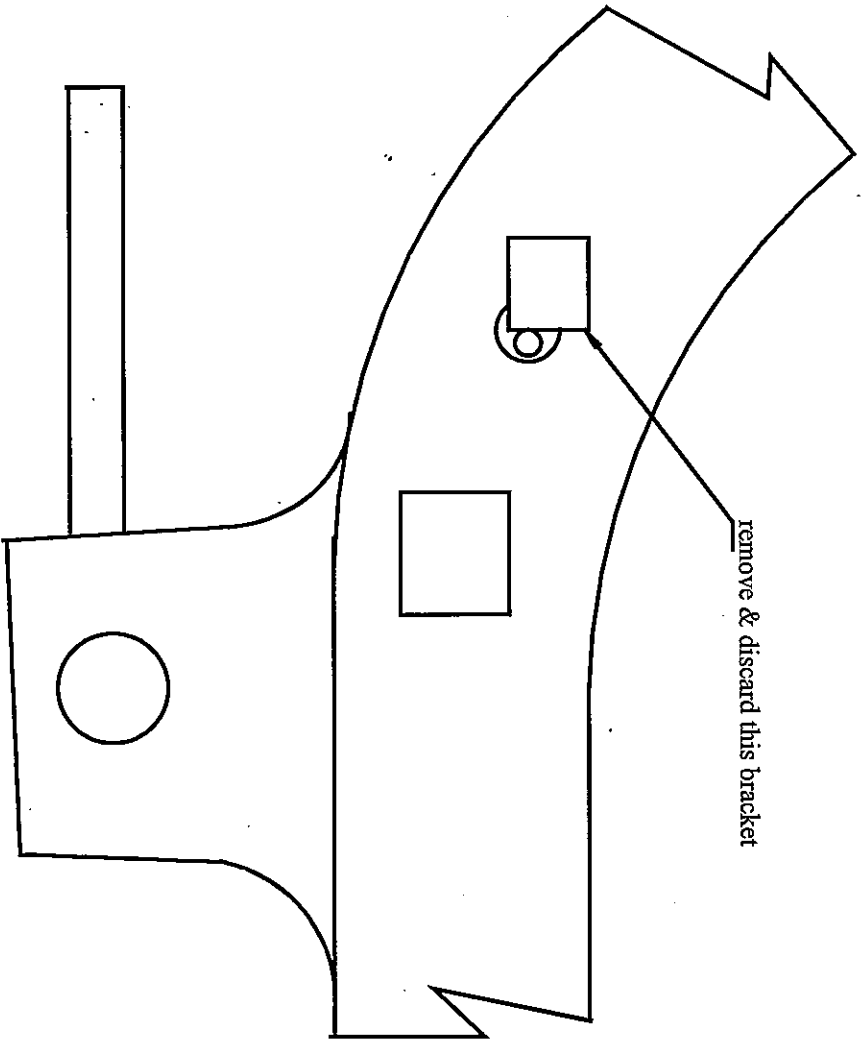
Checked By _____



WDSGPG210

TOYOTA PRADO 4 CYL 75LT AUXILIARY TANK

View of L/H chassis rail
(lower control arm area)



Prado Auxiliary.

