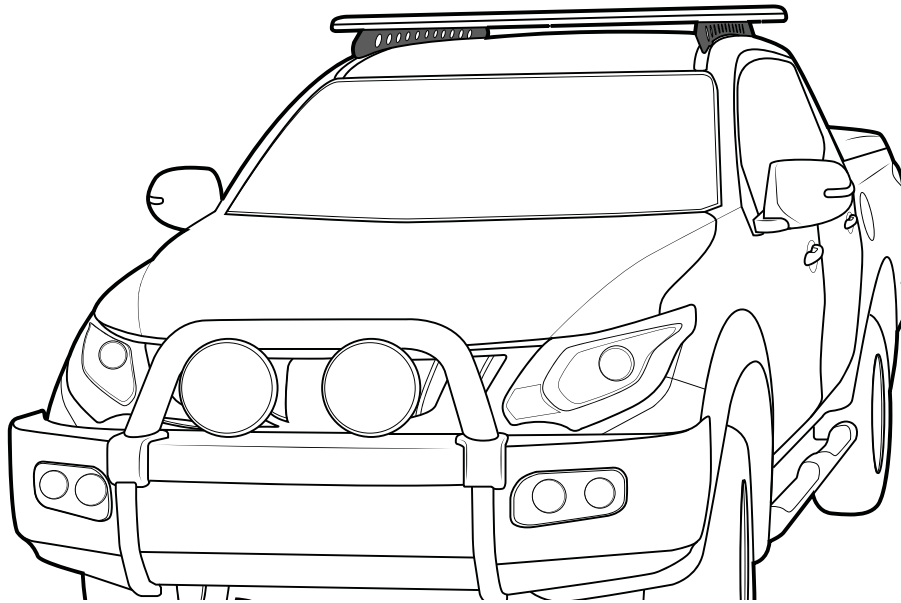


RHINO-RACK

Mitsubishi Triton Backbone RMTB1

Fit Time: 1 Hour



Important Information

Maximum carrying capacity:

Suitable Pioneers	On Road Cargo Allowance	Off Road Cargo Allowance	Static Allowance	Roof Allowance	Rack Weight
42100B	74.5kg / 164lb	54.5kg / 120lb	334.5kg / 737lb	100kg / 220lb	25.5kg / 56lb
45100B	72.5kg / 160lb	52.5kg / 116lb	332.5kg / 733lb		27.5kg / 61lb
41100	70kg / 155lb	50kg / 110lb	330kg / 728lb		30kg / 66lb

Roof Allowance: Total permissible weight attached to the roof of the car. This is inclusive of the weight of the roof rack system

Cargo Allowance: Total permissible weight allowed on top, and attached to roof racks whilst the vehicle is in motion

Static Allowance: Total permissible weight allowed on top, and attached to roof racks whilst the vehicle is stationary

Please refer to your vehicle manufacturers handbook for maximum carrying capacity. Always use the lower of the two figures. Load must be evenly distributed over the entire Pioneer. Weight of roof rack accessories is to be included in cargo allowance.

Torque settings

Unless stated otherwise in these instructions, all fasteners should be set to the following torque settings -

M6: 4-5Nm (3-4lbs/ft), M8: 8-10Nm (6-7.5lbs/ft) and M10: 16-18Nm (12-13lbs/ft).

Warning:

- Check Part No. and/ or Kit is correct for use with your vehicle
- Do not attempt to fit the rack system to your vehicle unless you fully understand these fitting instructions. Please direct any questions regarding fitting to the dealer from where the roof racks were purchased.
- **Use only non-stretch fastening ropes or straps.**
- The handling characteristics of the vehicle changes when you transport a load on the roof. For safety reasons we recommend you exercise extreme care when transporting wind-resistant loads. Special consideration must be taken into account when cornering and braking.
- Although the system is tested and approved to AS1235-2000 / ISO 11154, off-road conditions can be much more rigorous. Extreme care must be taken in off road conditions

Recommendations:

It is essential that all bolt connections be checked after driving a short distance when you first install your roof racks. Bolt connections should be checked again at regular intervals (once a week is enough, depending on road conditions, usage, loads and distances travelled). You should also check the roof racks each time they are re-fitted. Always make sure to fasten your load securely. Please also ensure that all loads are evenly distributed and that the centre of gravity is kept as low as possible and must be entirely contained within the extents of the roof racks.

Note for Dealers and Fitters:

It is your responsibility to ensure these fitting instructions are given to the end user or client

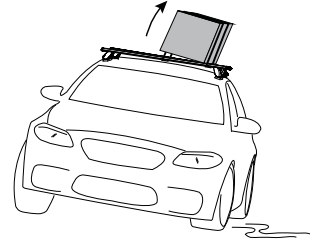
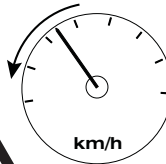
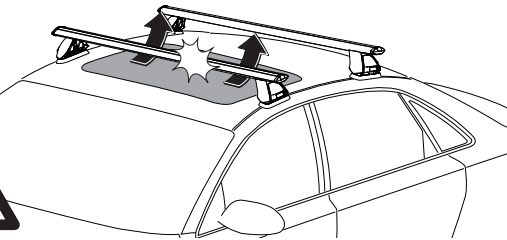
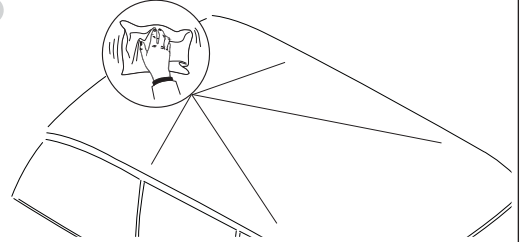
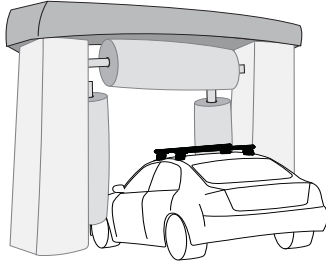
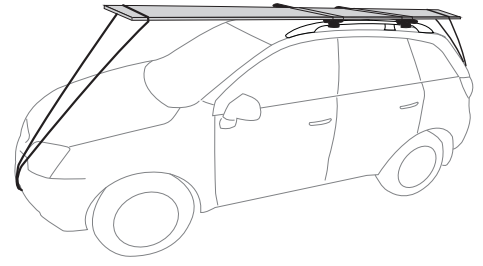
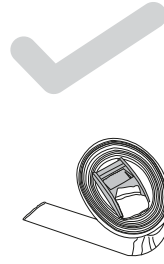
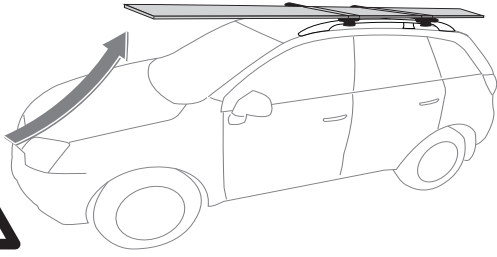
Rhino-Rack, 3 Pike St, Rydalmere
NSW 2116, Australia
(02) 8846 1900
rhinorack.com.au

Document No: R1202
Prepared By: Kayle Everett
Authorised By: Chris Murty

Issue No: 06
Issue Date: 12/07/2018

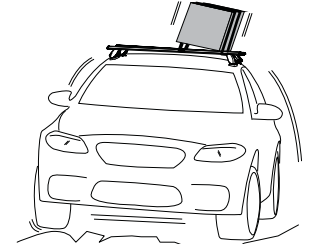
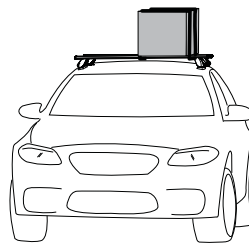
These instructions remain the property of Rhino-Rack Australia Pty. Ltd. and may not be used or changed for any other purpose than intended.

Mitsubishi Triton Backbone RMTB1

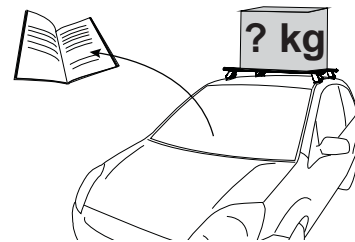
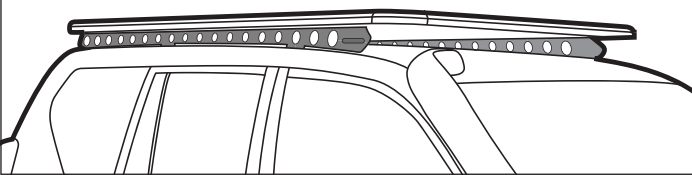


The handling characteristics of the vehicle changes when you transport a load on the roof. For safety reasons we recommend you exercise extreme care when transporting wind-resistant loads. Special consideration must be taken into account when cornering and braking.

Although the system is tested and approved to AS1235-2000 / ISO 11154, off-road conditions can be much more rigorous. Extreme care must be taken in off road conditions



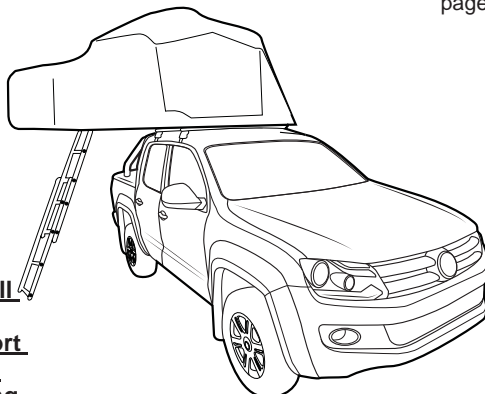
System Weight: 25.5kg - 30kg



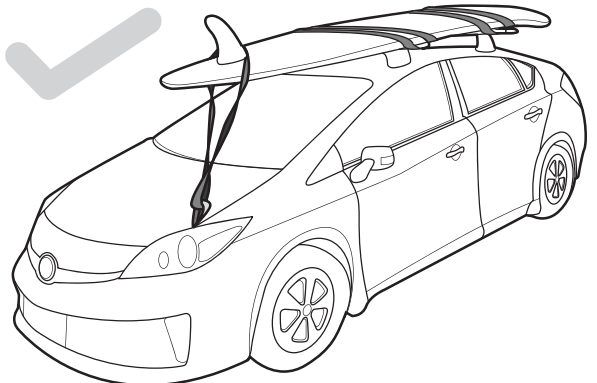
Static Load Rating: refer to front page



Ensure Ladder is well supported on the ground to help support tent. Take extreme caution when climbing heights above 1.2m/4ft.

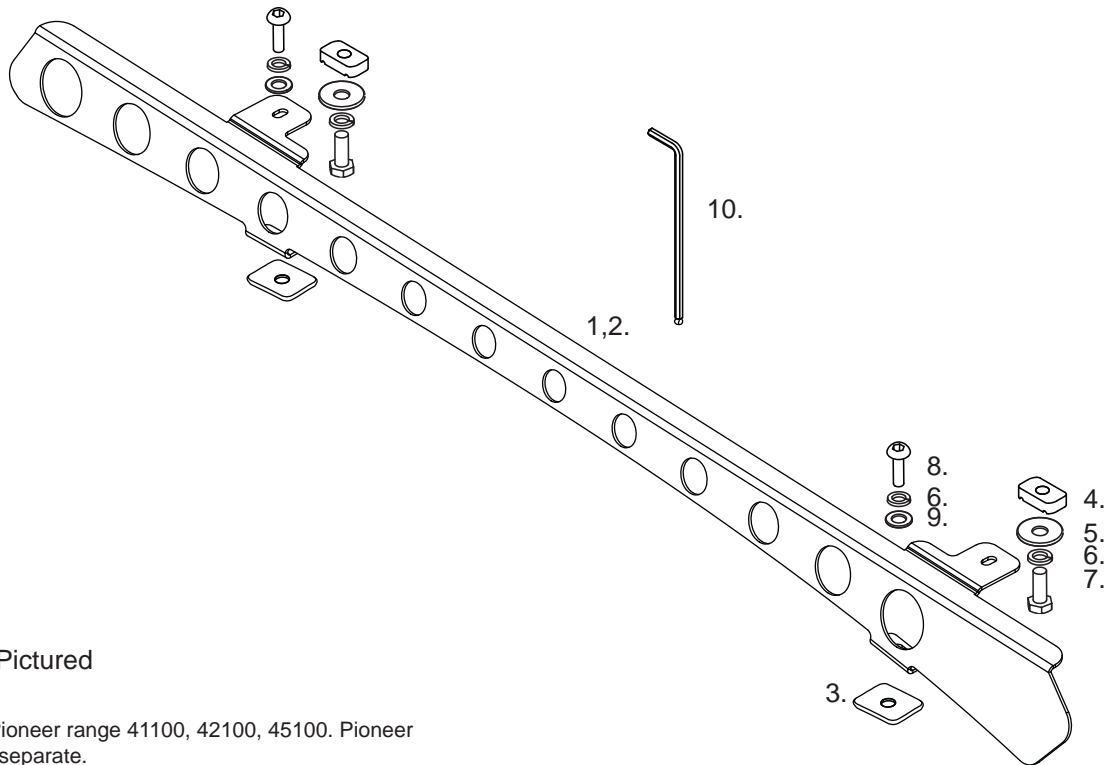


Paddle/ Surfboards should be fixed to the front of the vehicle.



Mitsubishi Triton Backbone RMTB1

Parts List

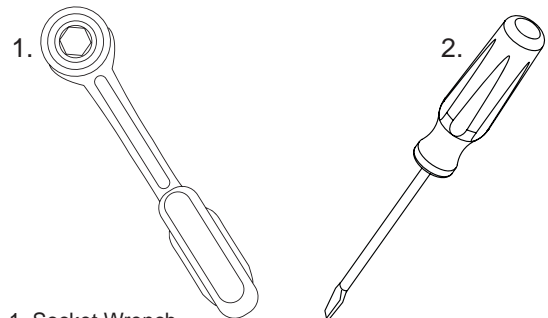


Right Side Pictured

For use with Pioneer range 41100, 42100, 45100. Pioneer range sold as separate.

Item	RTL B1 Kit	Qty	Part No.
1	Triton Left Rail	1	CA1515
2	Triton Right Rail	1	CA1516
3	Butyl Patch 40mm x 25mm	4	CA1260
4	M8 Channel Nut	4	N003
5	M8x19x2.5 Flat Washer	4	W043
6	M8 Spring Washer	8	W019
7	M8x20 Hex Setscrew	4	B020-BLK
8	M8x16 Dome Head Screw	4	B072
9	M8x17x2.5 Flat Washer	4	W020
10	5mm Ball End Allen Key	1	-
11	Instructions	1	R1202

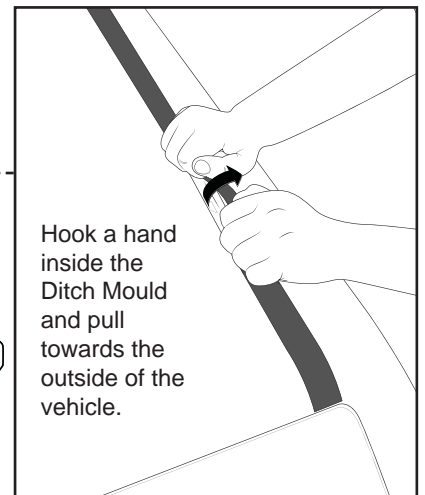
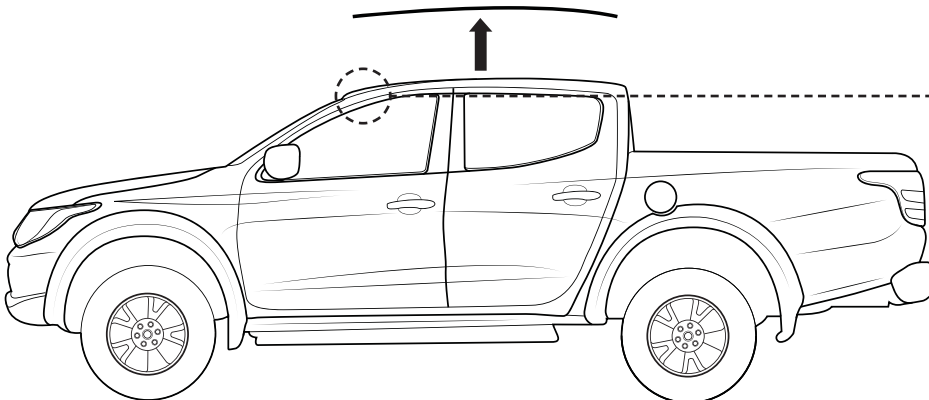
Tools Required:



1. Socket Wrench
2. Flat blade Screw Driver
3. Measuring Tape
4. Cutters.

Instructions

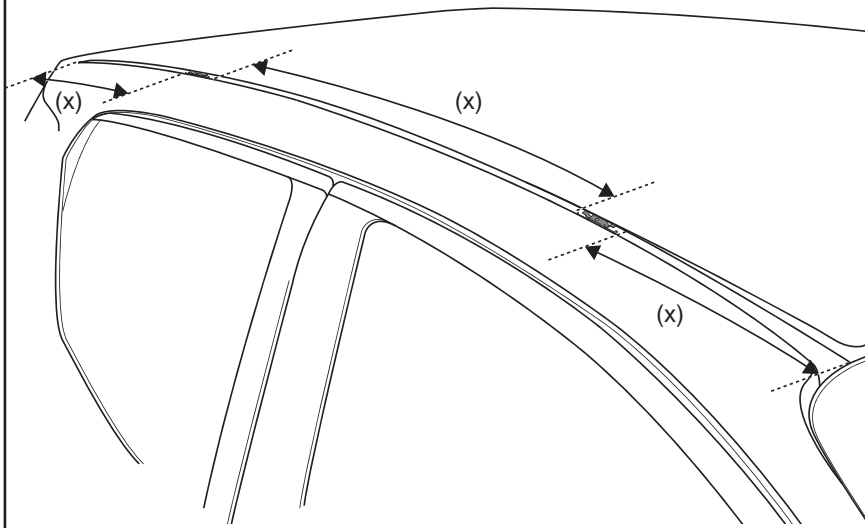
- 1 Starting at the front of the vehicle, carefully lift the Ditch Mould.



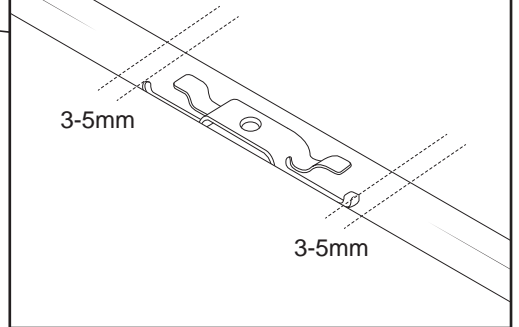
Hook a hand inside the Ditch Mould and pull towards the outside of the vehicle.

Mitsubishi Triton Backbone RMTB1

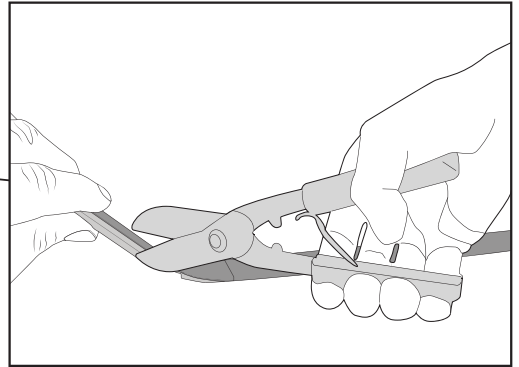
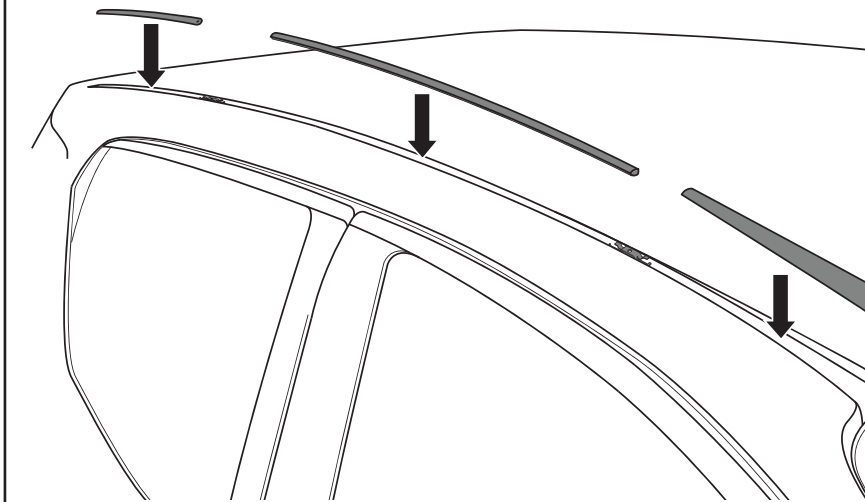
2a Measure the gaps in the ditch around the Mount Points in the roof.



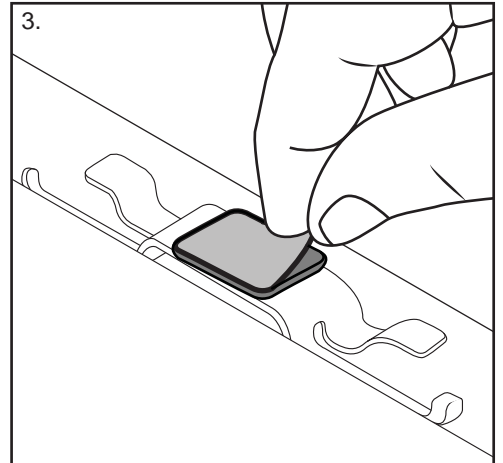
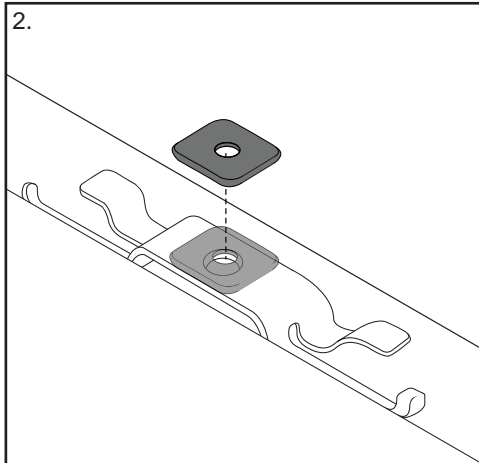
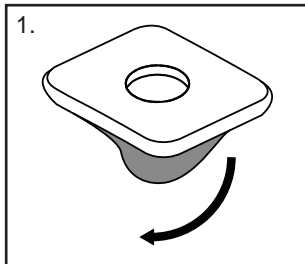
When measuring, leave a 3-5mm gap either side of the Mount Point to ensure an easy fit.



2b Using the measurements attained previous and a set of Cutters, cut the Ditch Mould to fit around Mount Points in the roof. Re-install the Ditch Mould into place.

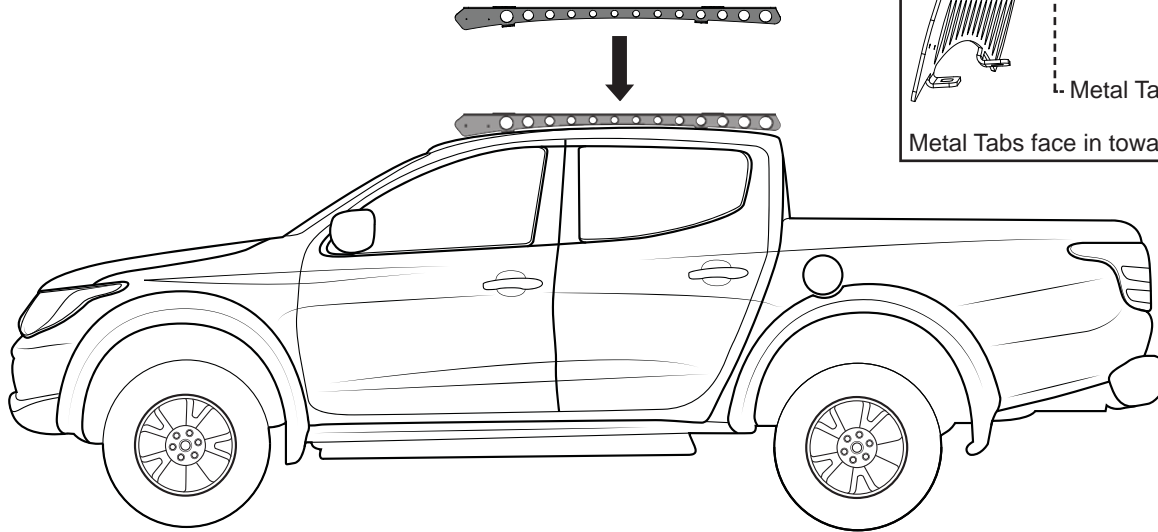


3 Peel off the one side of backing tape on the Butyl Patches provided. Place these carefully over all Mounting Points in the ditch. Remove the top layer of backing tape as shown.

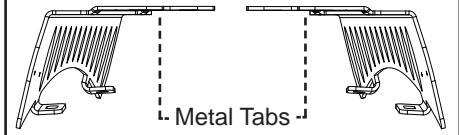


Mitsubishi Triton Backbone RMTB1

- 4** Place one side of the Backbone onto the roof of the vehicle. Line up the mounting points of the bracket to the those exposed points on the roof, revealed in the previous steps.

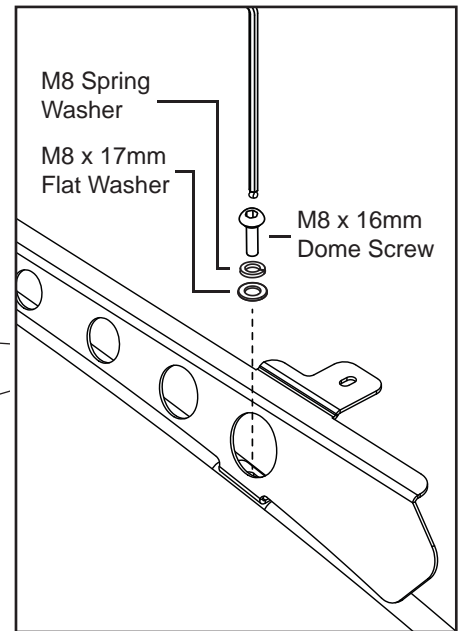
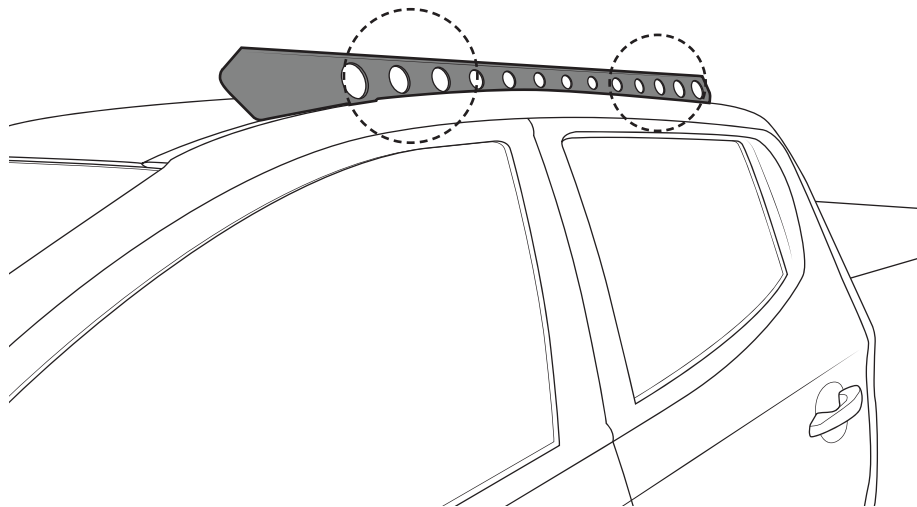


Front View:

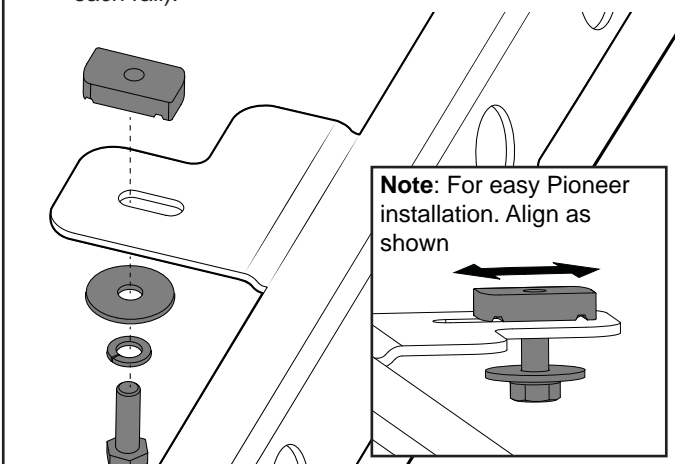


Metal Tabs face in toward the vehicle.

- 5** Fix the Backbone in place using M8 x 16mm Dome Head Screws and M8 Spring and Flat Washers. Tighten with the Allen Key Provided.



- 6** Assemble M8 hardware as pictured below. Complete this for the six tabs on top of the backbone rails (3 each rail).

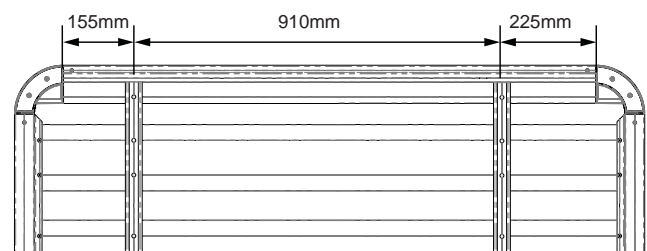


- 7** Install Pioneer Underbars with slots indicated (41100, 42100, 45100).

REAR: 225mm from Rear (drill)

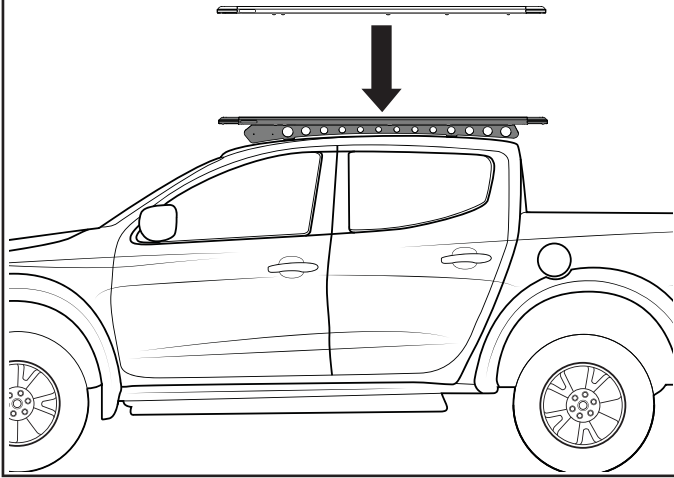
FRONT: 155mm from Front (drill)

The front and rear will have to be drilled with an 8.5mm drill bit. For detailed underbar installation instructions, refer to Pioneer fitting instructions.



Mitsubishi Triton Backbone RMTB1

- 8** After underbars have been correctly fitted, place the Pioneer tray on top of the Backbone rails. Align the underbars with the top tabs and ensure the M8 hardware fits into underbar channel.



- 9** Once Pioneer underbars have been aligned properly, tighten all M8 hardware using 13mm socket wrench or 13mm spanner. Ensure channel nut has rotated within Pioneer underbar and is fixing Pioneer securely.

