



**4X4 ACCESSORIES**



**DATE:**

September 2015

**DESCRIPTION:**

OME BP-51 High Performance Bypass Shock Absorbers

**APPLICATION:**

Toyota Landcruiser  
76 / 78 / 79 (single and dual cab) Series

**PART NO. :**

Refer Table below

**PRODUCT GROUP:**

Refer Table below

**AVAILABILITY DATE:**

Limited Qty Available December 2015



# PRODUCT SPECIFICATION

## BP-51 NOW RELEASED FOR TOYOTA LAND CRUISER 70 SERIES

Old Man Emu is pleased to release the latest application of BP-51 High Performance Bypass Shock Absorbers engineered specifically for the Toyota Land cruiser 70 series. Consisting of 4 shocks and 2 fit kits this application will fit the range of 70 series variants including 76 (4 door wagon), 78 (Troop Carrier) and 79 (single and dual cab chassis). Both front and rear shock absorbers have been tuned to match the existing range of front and rear Old Man Emu springs and recommended compression and rebound settings can be found in the supplied fitting instructions for the various spring options available. The fitting instructions also include detailed information for correct installation of the shock absorber and reservoir placement.

Part Number	Description	Barcode	Qty Req.	Product Group
BP5160009	SHOCK LC 76/78/79 FRONT	9332018029140	2	287
BP5160010	SHOCK LC 76/78/79 REAR	9332018029157	2	287
VM80010006	BP KIT LC 76/78/79 REAR	9332018029164	1	321
VM80010007	BP KIT LC 76/78/79 FRONT	9332018029171	1	321

## OLD MAN EMU BRINGS RACING TECHNOLOGY TO EVERY DAY APPLICATIONS

BP-51 (Bypass 51mm diameter bore) shock absorbers feature revolutionary, patent pending technology developed to deliver unparalleled on and off road performance for your 4x4.

Developed and extensively tested under the harshest conditions in Australia, these big bore, position sensitive bypass shock absorbers with remote reservoir are designed to bolt onto your vehicle without any vehicle modifications and combine considerable ride comfort around town with significant amounts of end-zone damping for exceptional chassis control and handling off road.

The damping performance is easily adjustable across a wide range in both rebound and compression, resulting in significant changes to the ride performance of your vehicle, enabling a custom tune to suit the conditions and vehicle set up.

The body, reservoir and components are all made from 6061 T6 aluminium, Type 3 40 micron hard anodised ensuring exceptional heat dissipation, corrosion resistance and resistance to stone damage.

Not only designed, developed and tested entirely by ARB's team of Old Man Emu ride engineers, all BP-51 shock absorbers are manufactured in-house by ARB. In order to achieve this, significant investment has been made in state of the art machinery and hard anodising equipment, allowing ARB total control of the manufacturing process to ensure the highest possible quality.

### DESIGN & DEVELOPMENT:

The OME engineers were set a challenge to design a high performance shock absorber for the modern day vehicle. With more and more vehicles moving to an independent front suspension set up, the challenge grows as you have limited travel and restrictions to what you can actually fit within a coil over strut set up.

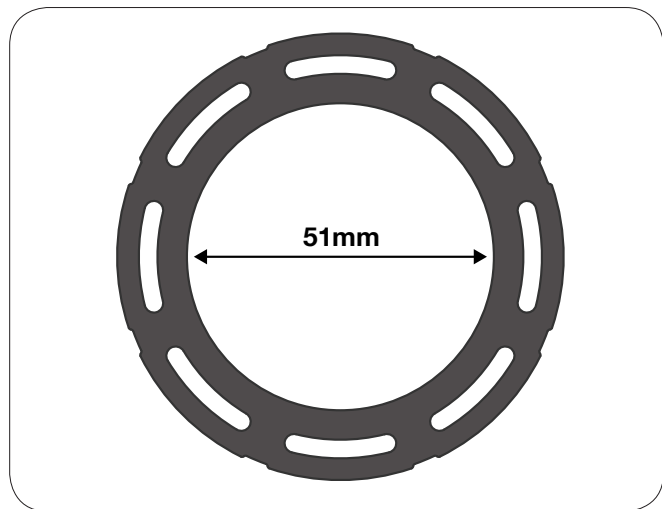
With traditional velocity sensitive shock absorbers, achieving exceptional ride quality and the balance between comfort and control tuning requires a great deal of time and effort, with many valving changes required to get the balance correct. You still end up with a compromise with either a slightly firmer controlled set up or softer comfort orientated result.

Bypass technology exists to overcome some of these ride quality challenges but presents a new challenge as traditional multiple bypass tube products simply won't fit inside a coil over independent front or many rear shock absorber applications.

Other areas that had to be considered were corrosion, heat dissipation, durability and how do you cater for individual ride preferences or vehicle loading scenarios. The product also needs to easily bolt into a large range of vehicle applications without modifications to the actual vehicle

After 4 years of extensive design, development and testing the challenge has been met and it's called BP-51

## FEATURES:



### INTERNAL BYPASS, SHIM CONTROLLED, POSITION SENSITIVE DAMPING (PATENT PENDING):

- Provides comfort at ride height
- Damping increases as you get closer to the end zone
- Increased control at end zones

### KIDNEY BYPASS PORTS/51MM BORE DIAMETER:

- Maximum bore size & Bypass Diameter
- Greater oil volume
- More tunable, ability to generate force



### VEHICLE SPECIFIC APPLICATIONS:

- No fitting modifications required

### EXTERNAL COMPRESSION AND REBOUND ADJUSTMENT:

- On car adjustable
- Independent adjustment of compression and rebound
- Ultra wide range to suit varying loads and ride preferences



**BODY/RESERVOIR/COMPONENTS 6061 T6 ALUMINIUM:**

- Heat dissipation
- Corrosion resistance

**TYPE 3 40 MICRON HARD ANODISED FINISH:**

- Corrosion resistance
- Abrasion resistance to stone damage



**DASH 6 HIGH TEMPERATURE TEFLON HOSE WITH HIGH FLOW FITTINGS:**

- No restriction of oil flow

**LARGE TEFLON LINED SPHERICAL BEARINGS:**

- Durability

**NOTE:** Coil over applications only





**ADJUSTABLE SPRING PRELOAD / RIDE HEIGHT:**

- Cater for varying loads

**NOTE:** Coil over applications only



**HIGH PRESSURE NITROGEN RESERVOIR WITH ALUMINIUM, ANODISED FLOATING PISTON:**

- Increased oil volume
- Maximise travel



**IMPACT RESISTANT, REPLACEABLE SHAFT GUARD:**

- Protects against stone damage



**19MM HARD CHROMED GROUND SHAFT:**

- Low friction
- Strength

## **ADDITIONAL FEATURES:**

### **QUALITY OVERSIZED RUBBER BUSHINGS:**

- Durability

### **100% RE-BUILDABLE AND RE-VALVEABLE:**

- Longevity
- Tuneability

### **HIGH TEMPERATURE VITON AND TEFLON SEAL PACK:**

- Durability of seals

### **HIGH PERFORMANCE, HIGH VISCOSITY INDEX OIL:**

- Durability and consistency of performance

### **51 MM BORE DIAMETER:**

- Greater oil volume
- More tunable, ability to generate more force

### **1900MPA POLISHED, HIGH STRENGTH, HIGH FATIGUE SHIMS:**

- Durability
- Strength

### **3 YEAR / 60000 KM WARRANTY**

