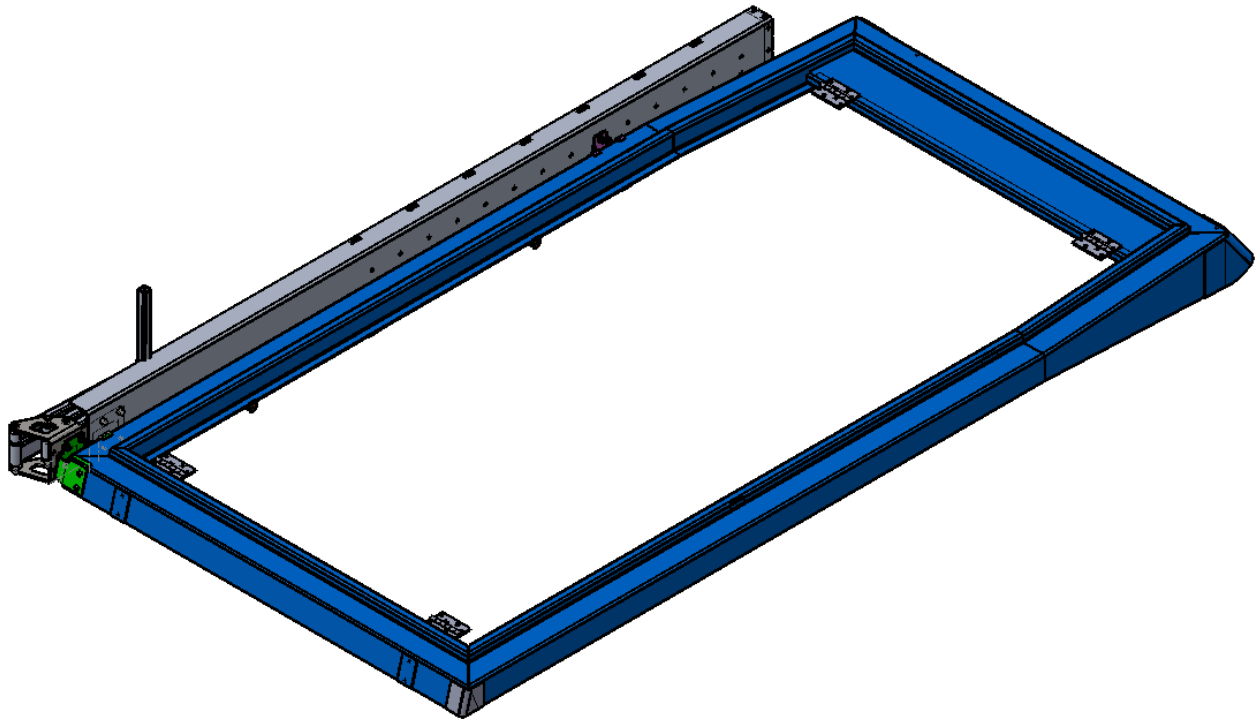
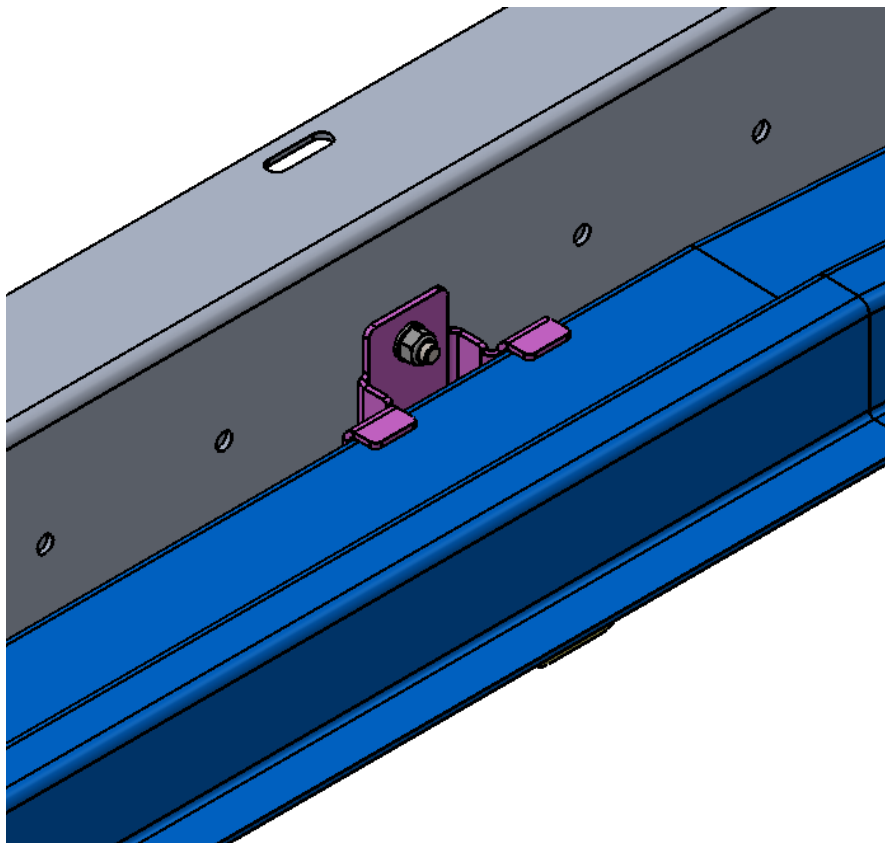
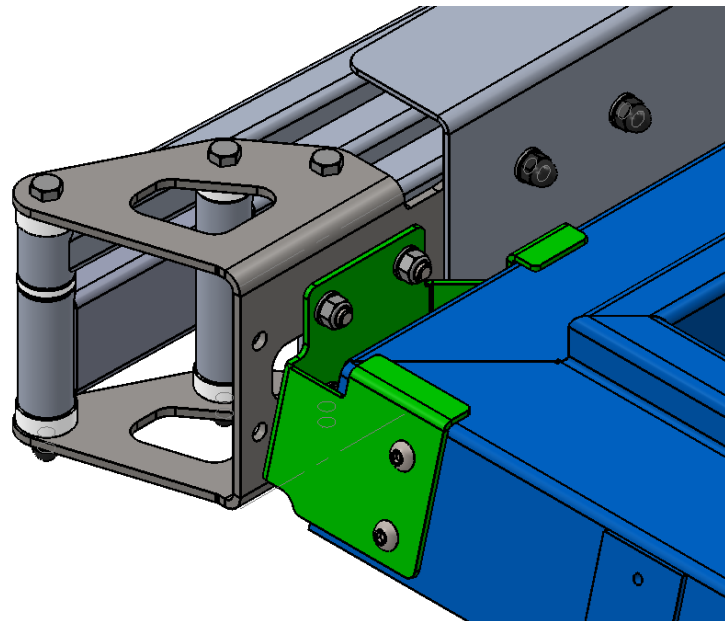




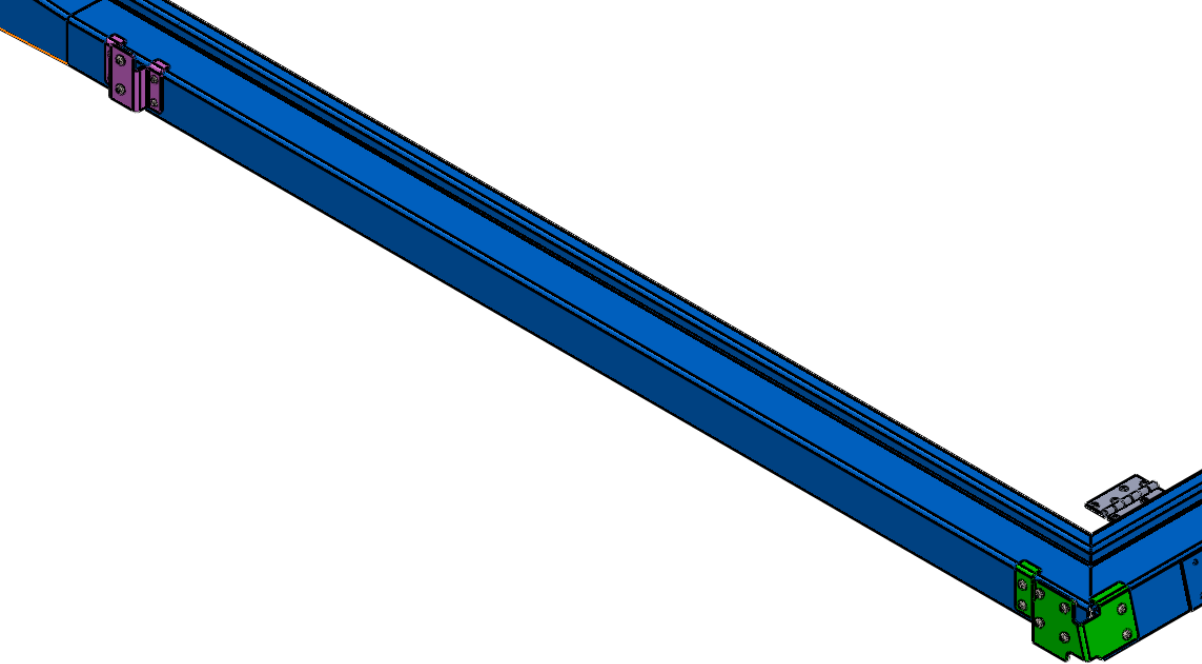
Awning to Troopy Roof Fitment Instructions



DETAIL VIEW OF EACH MOUNTING BRACKET.

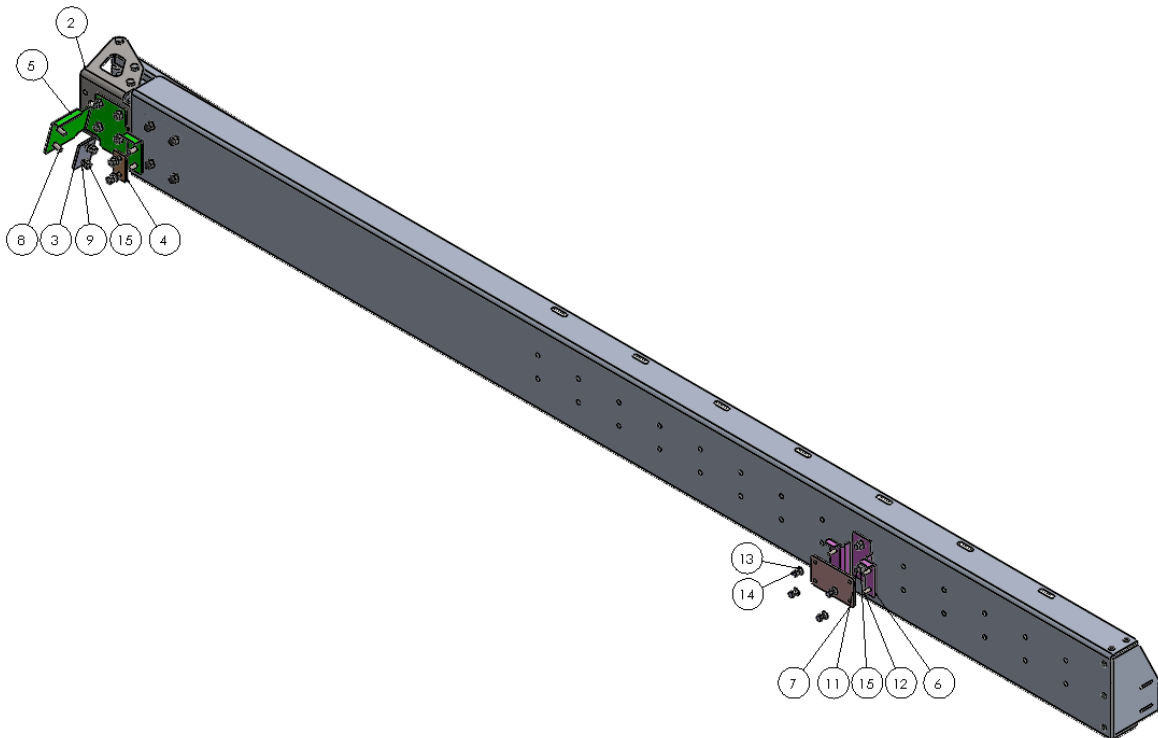


MOUNTING BRACKETS IN POSITION.

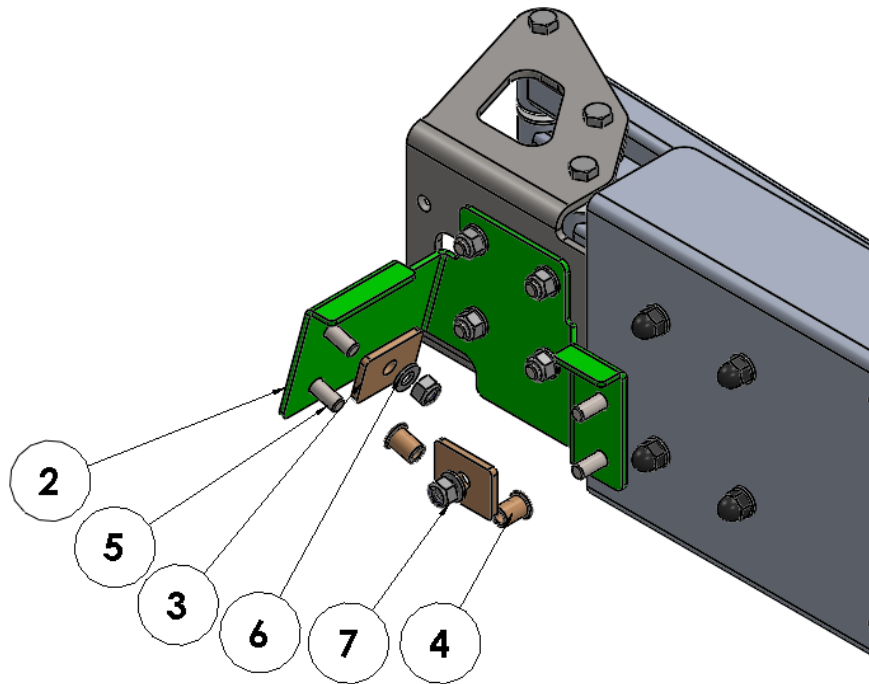


LIST OF COMPONENTS:

ITEM NO.	PART NUMBER	DESCRIPTION	MATERIAL	QTY.	Vendor
1	Troopy Bottom Frame Assembly			1	
2	AWNING ASSEMBLY			1	
3	TR-AW-010-001 REV A	AWNING MOUNT BRACKET	3CR12	1	
4	TR-AW-010-002 REV B	BACKING PLATE	ALU	2	
5	Flat Head Rivnut			4	
6	M8x20 SOCKET BUTTON HEAD SCREW	M8x20 SOCKET BUTTON HEAD SCREW		10	
7	M8 FLAT W ASHER	M8 FLAT W ASHER		15	
8	M8 NYLOC NUT	M8 NYLOC NUT		8	
9	TR-AW-020-001 REV A	AWNING MOUNT BRACKET	3CR12	1	
10	TR-AW-020-002 REV B	BACKING PLATE	ALU	1	
11	M6x20 Button Head Screw	M6x20 Button Head Screw		4	
12	M8 FLAT W ASHER	M8 FLAT W ASHER		2	
13	M6 NYLOC NUT	M6 NYLOC NUT		2	



DETAIL VIEW OF AWNING BRACKET 1.



DETAIL VIEW OF AWNING BRACKET 2.

