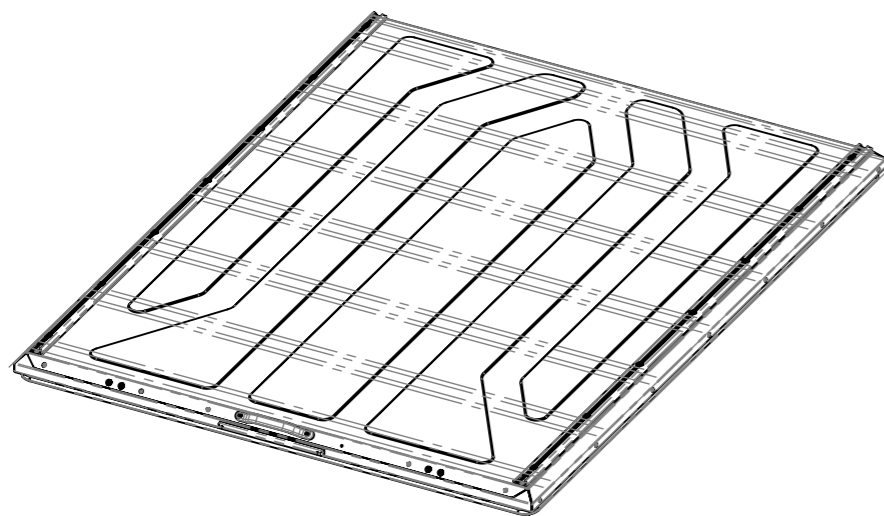
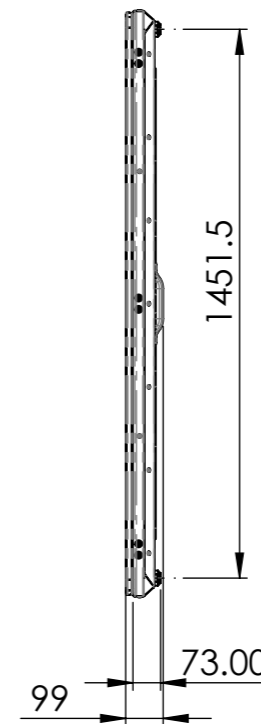
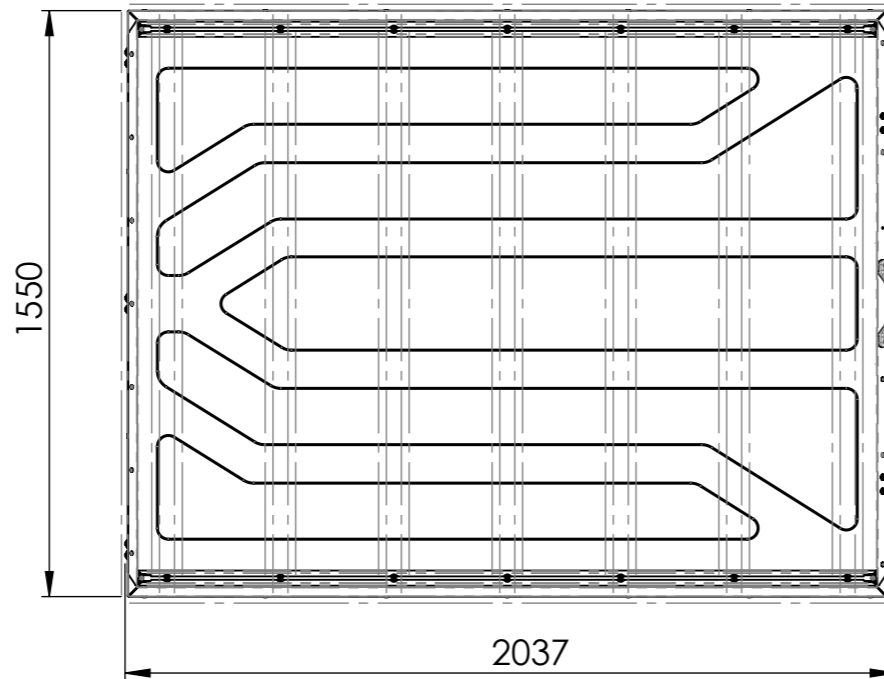


GENERAL ARRANGEMENT

MODCAP FSL FIXED FLAT ROOF

ASSY INFO	MASS (kg):	
	BONDED:	Y
	FASTENED:	Y
FINISH	WELDED:	Y
	TUMBLED:	
	BRUSHED:	
	POWDER:	
	SPRAY:	
	COLOUR:	N/A



APPROXIMATE WEIGHT: 36kg

TOLERANCES TO ASSUME UNLESS INDICATED OTHERWISE

NOM DIMENSION	RANGE (mm)	TOLERANCE
0.50	- 3.00	± 0.10
3.00	- 6.00	± 0.15
6.00	- 30	± 0.20
30	- 120	± 0.30
120	- 400	± 0.50
400	- 1000	± 1.00
1000	- 1000<	± 2.00

DESCRIPTION:
CC2 BO FSL FLAT ROOF TOP

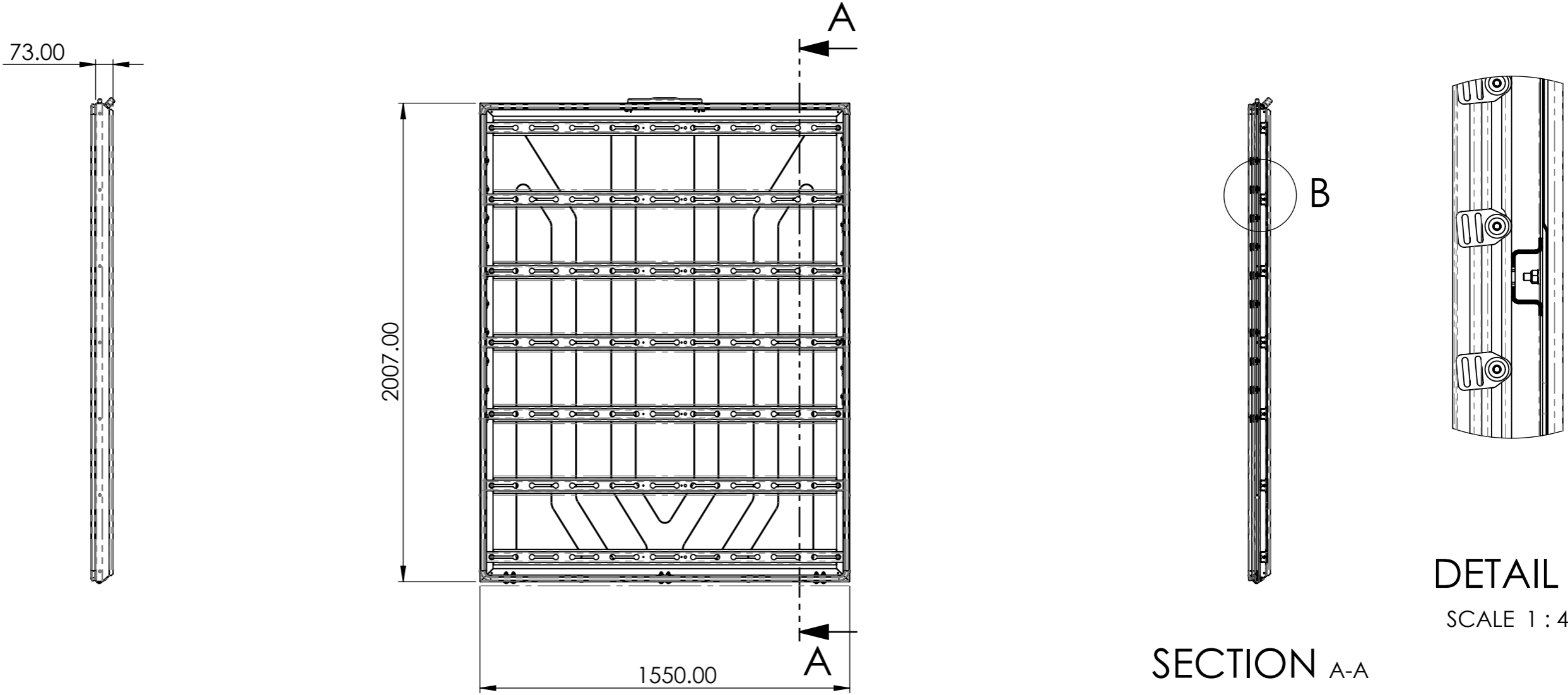
PROJECT:
CC2-A-BO-FSL-FR-FXD

DRAWN BY: System Administrator **DATE:** 2024-03-08

THE INFORMATION CONTAINED WITHIN THIS DOCUMENT IS THE INTELLECTUAL PROPERTY OF ALU-CAB (PTY) LTD

SHEET: A3	SHEET 1 of 2		REV 00
SCALE: 1:20			
DRAWING NO. CC2-A-BO-FSL-FR-GA			

ASSY INFO	MASS (kg):	
	BONDED:	Y
	FASTENED:	Y
FINISH	WELDED:	Y
	TUMBLED:	
	BRUSHED:	
	POWDER:	
	SPRAY:	
	COLOUR:	N/A



TOLERANCES TO ASSUME UNLESS INDICATED OTHERWISE

NOM DIMENSION	RANGE (mm)	TOLERANCE
0.50	- 3.00	± 0.10
3.00	- 6.00	± 0.15
6.00	- 30	± 0.20
30	- 120	± 0.30
120	- 400	± 0.50
400	- 1000	± 1.00
1000	- 1000<	± 2.00

DESCRIPTION:
CC2 BO FSL FLAT ROOF TOP

PROJECT:
CC2-A-BO-FSL-FR-FXD

DRAWN BY:
System Administrator

DATE:
2024-03-08

THE INFORMATION CONTAINED WITHIN THIS DOCUMENT IS THE INTELLECTUAL PROPERTY OF ALU-CAB (PTY) LTD

SHEET:
A3

SCALE:
1:20

SHEET
2 of 2

DRAWING NO.
CC2-A-BO-FSL-FR-GA



REV
00