

**2M.0004.1 ; 2M.0004.2 ; 2M.0004.3 ;  
2M.0004.4 ; 2M.0004.5**





Regular fasteners



Regular fasteners



Screw a several turns



Loosen bolts



Movement Arrow



Location/Position Arrow



Screw Arrow



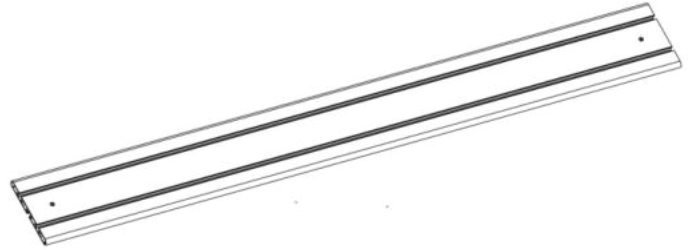
**1**



720 mm

x2

**2**



x3

**5**



M8x16

x13

**6**



M8

x13

**7**



Ø8

x17

**8**



M8

x2

**9**



Ø8

x2

**10**



M8x20

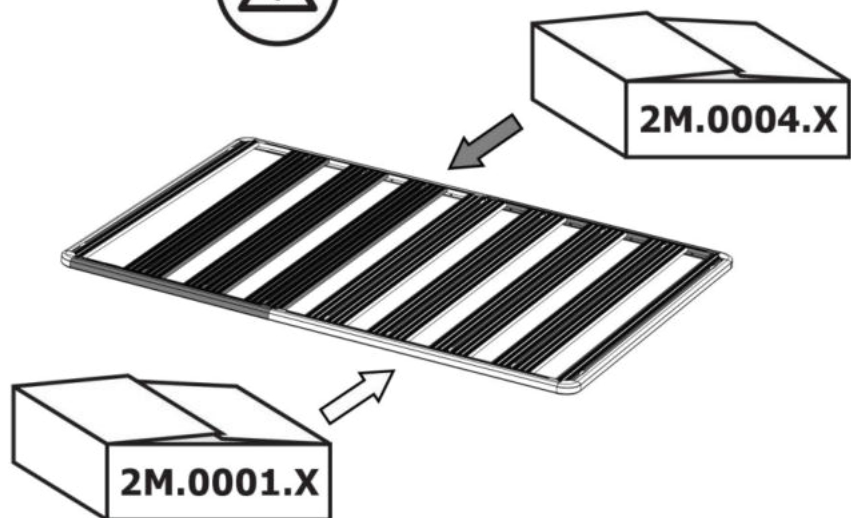
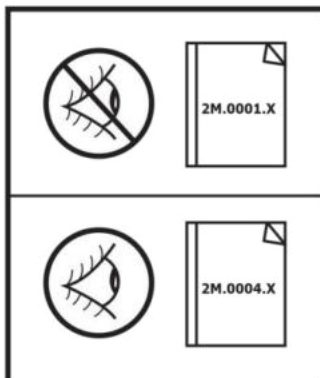
x4

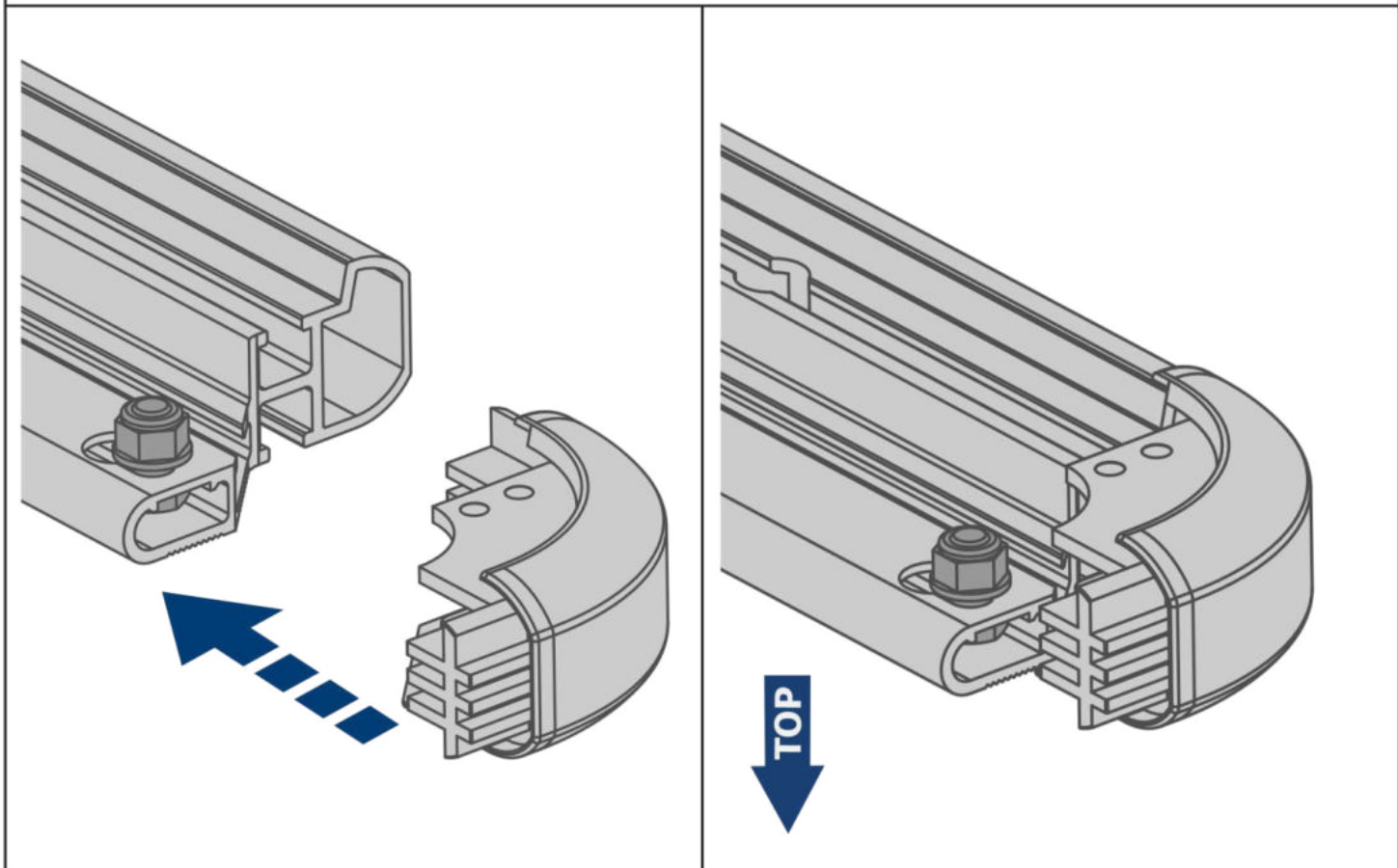
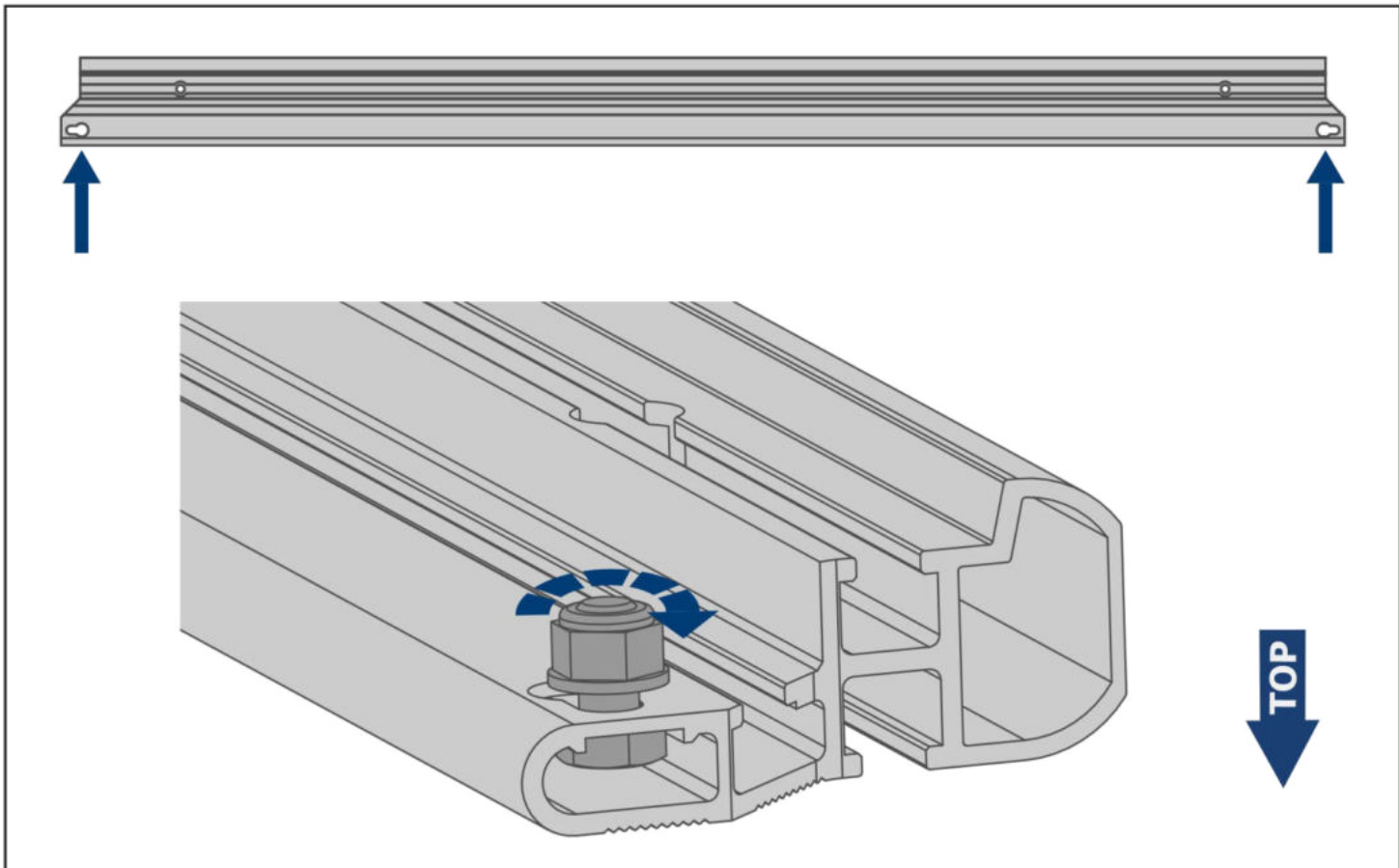
**11**

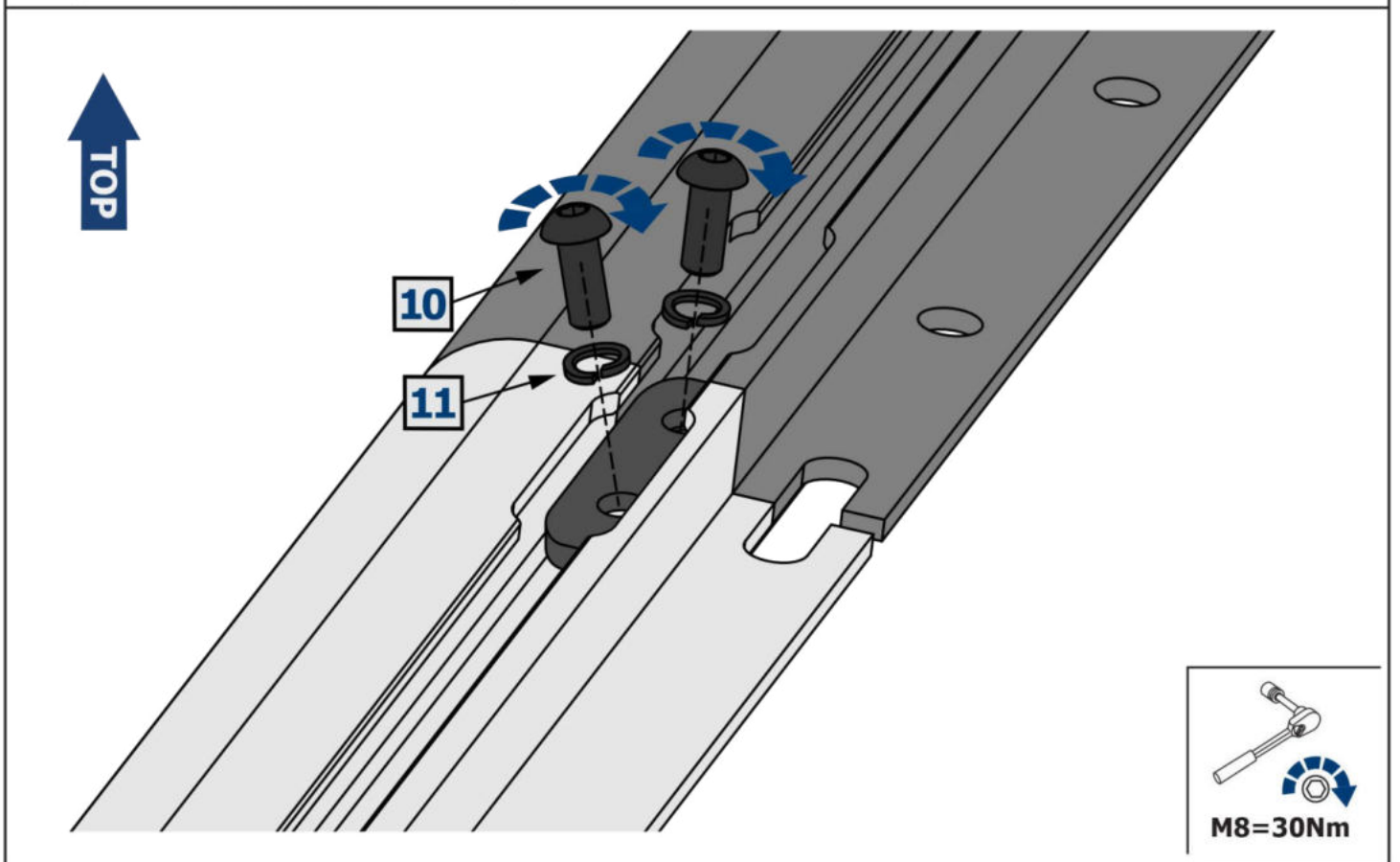
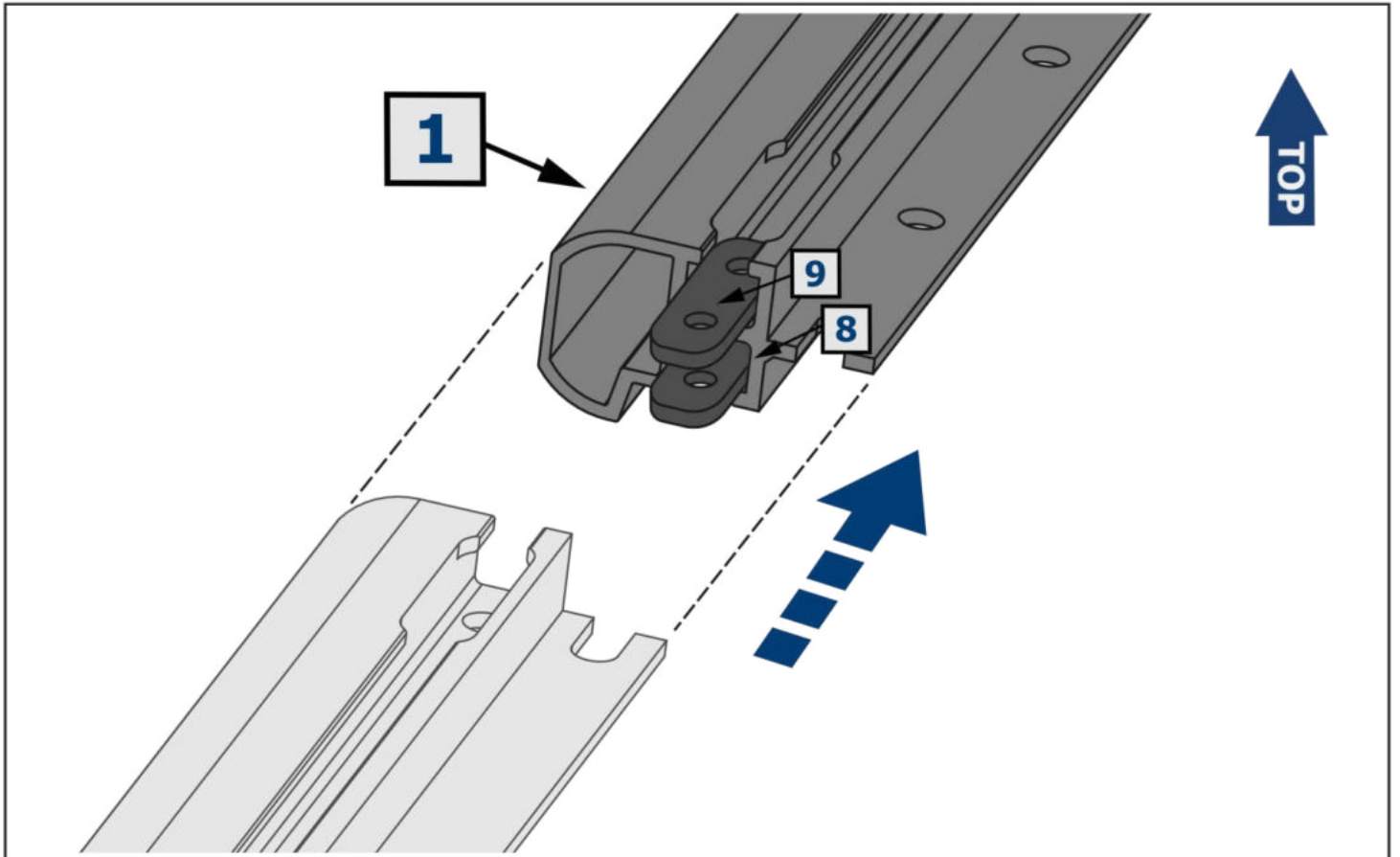


Ø8

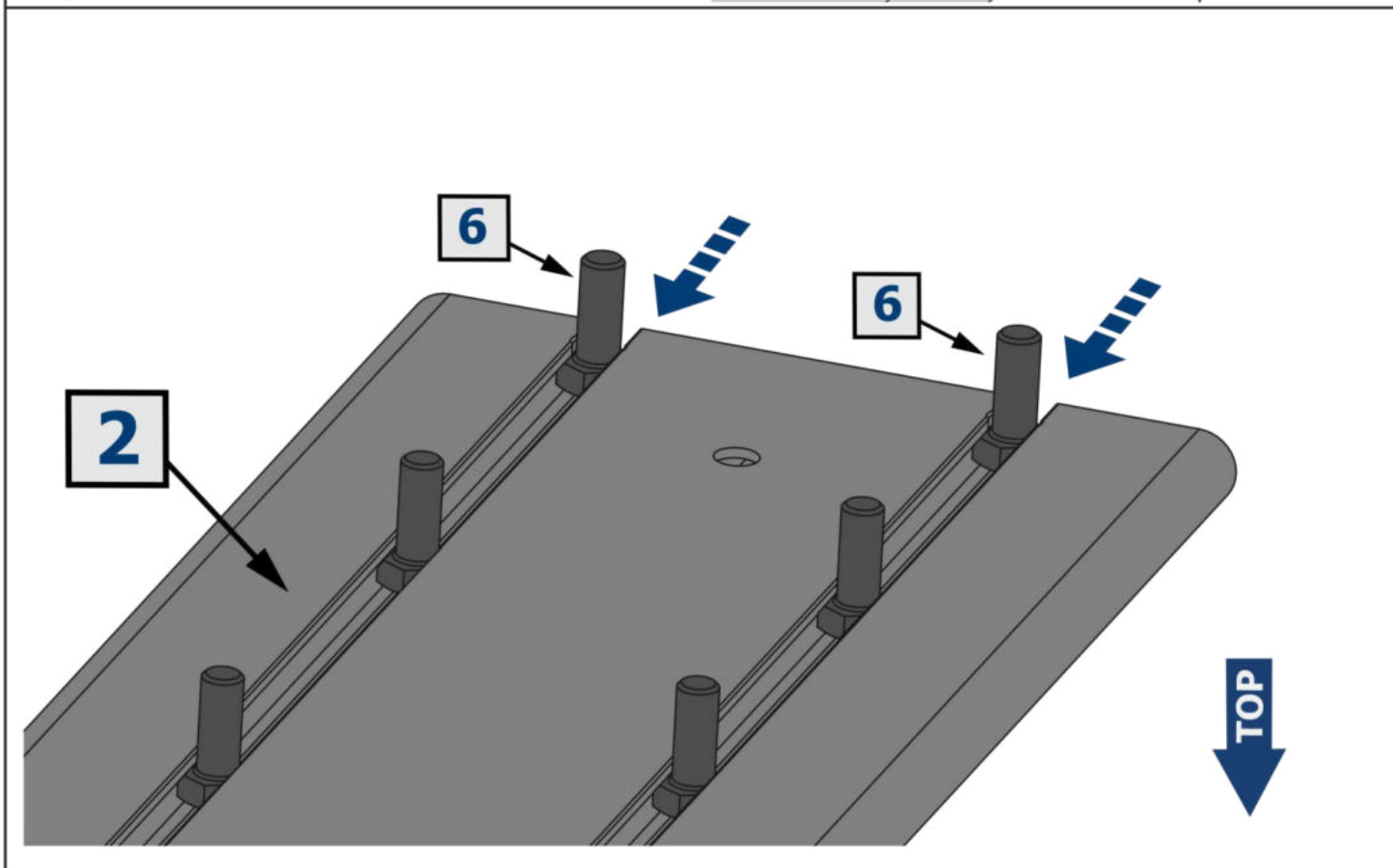
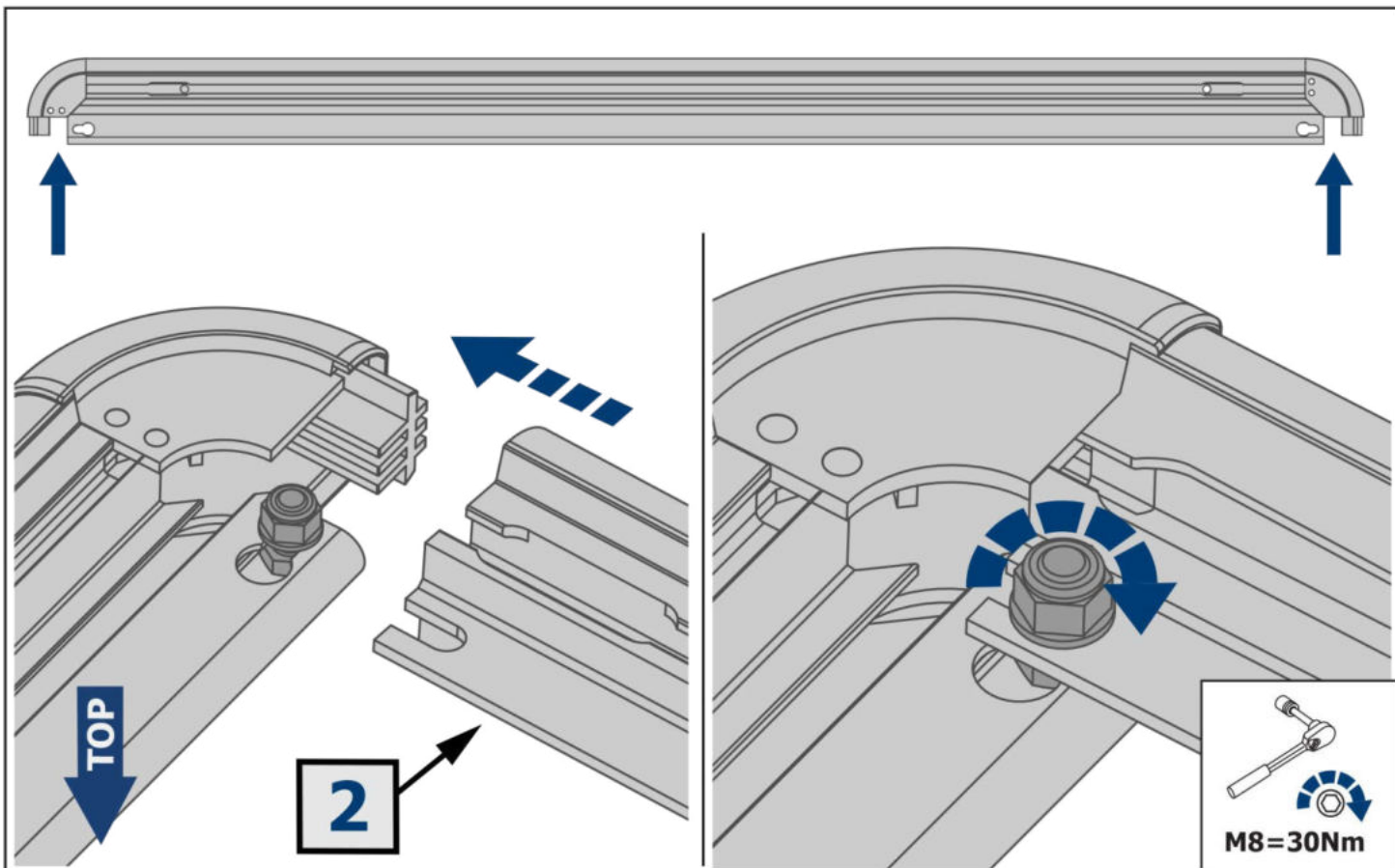
x4

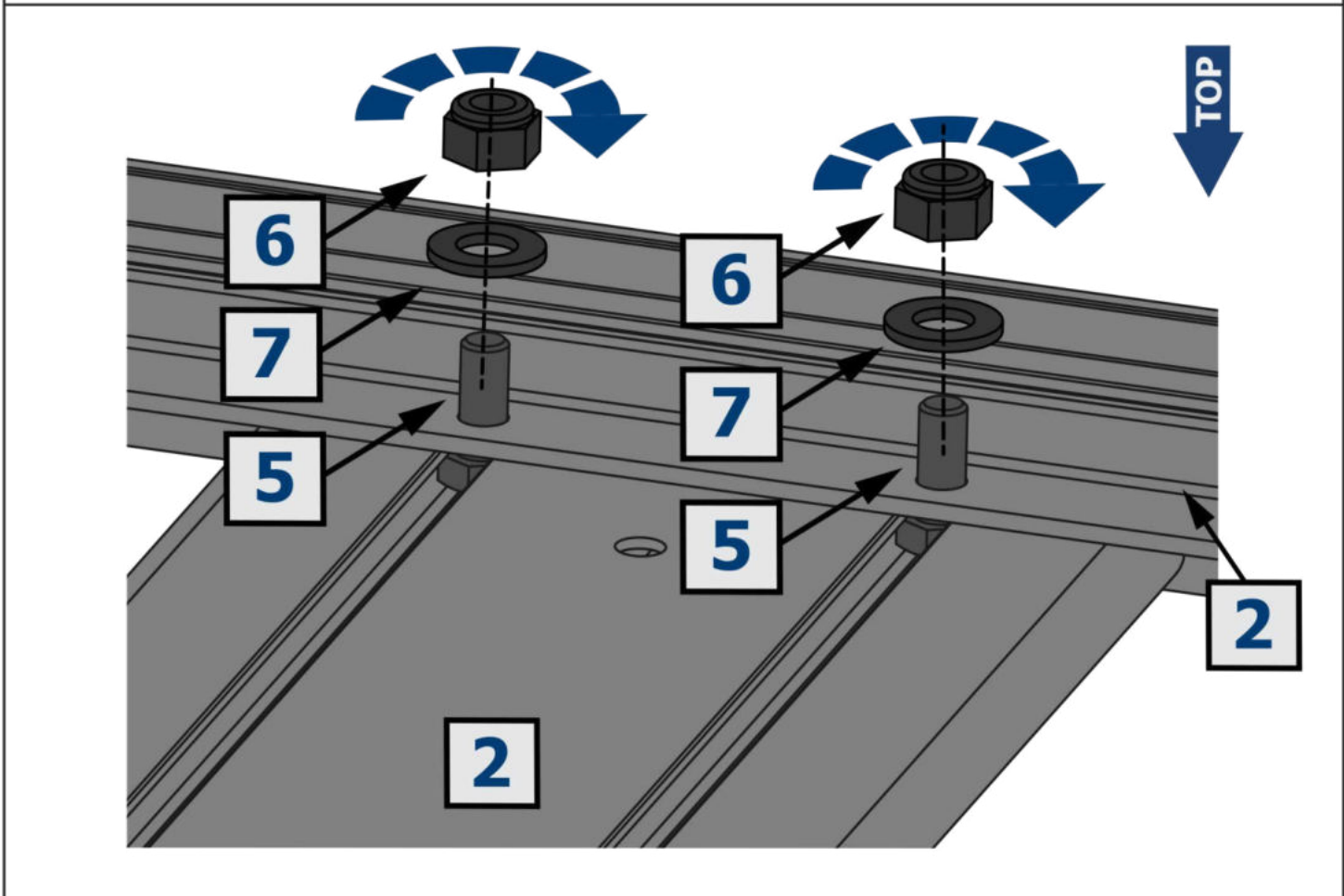
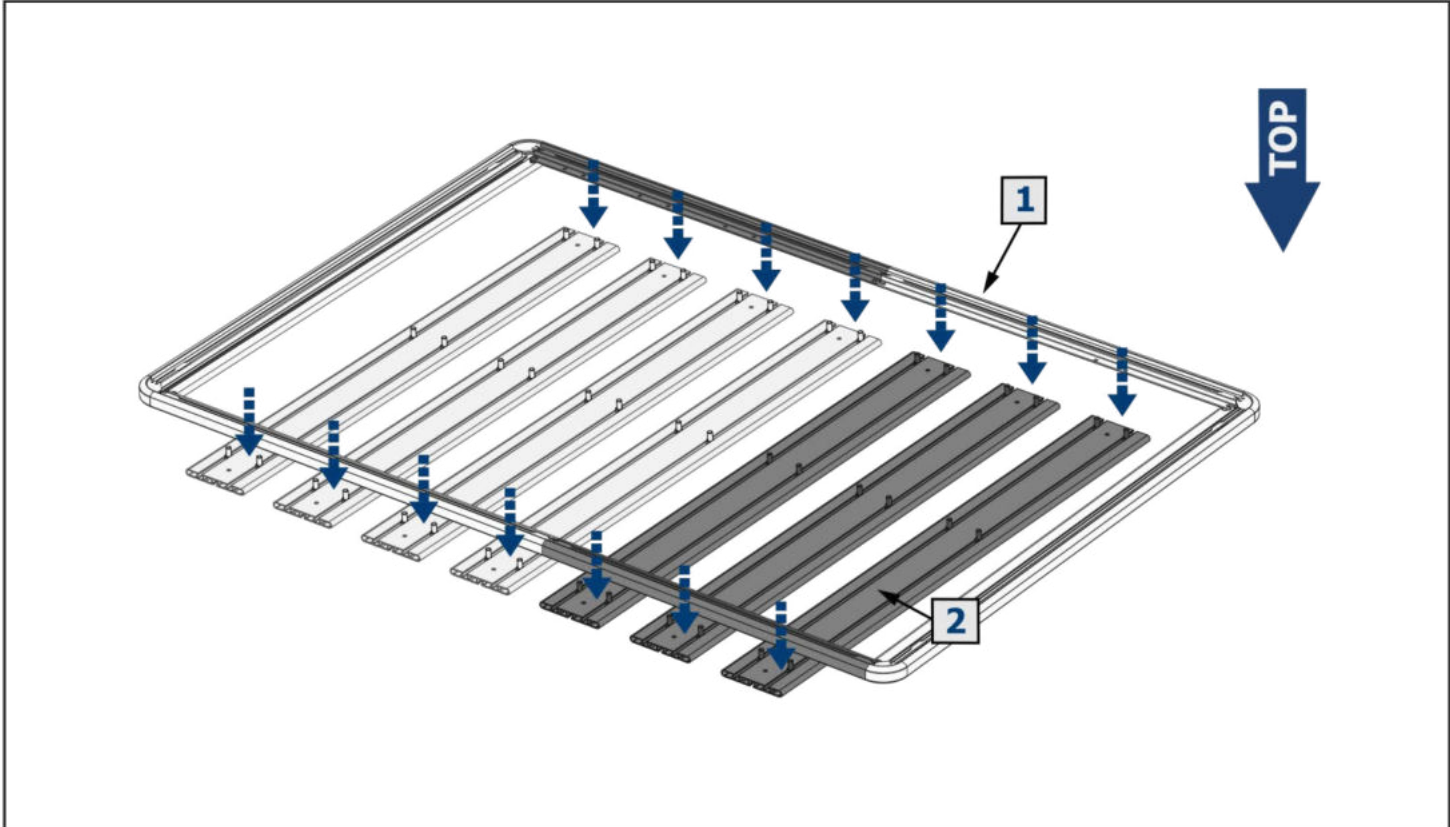


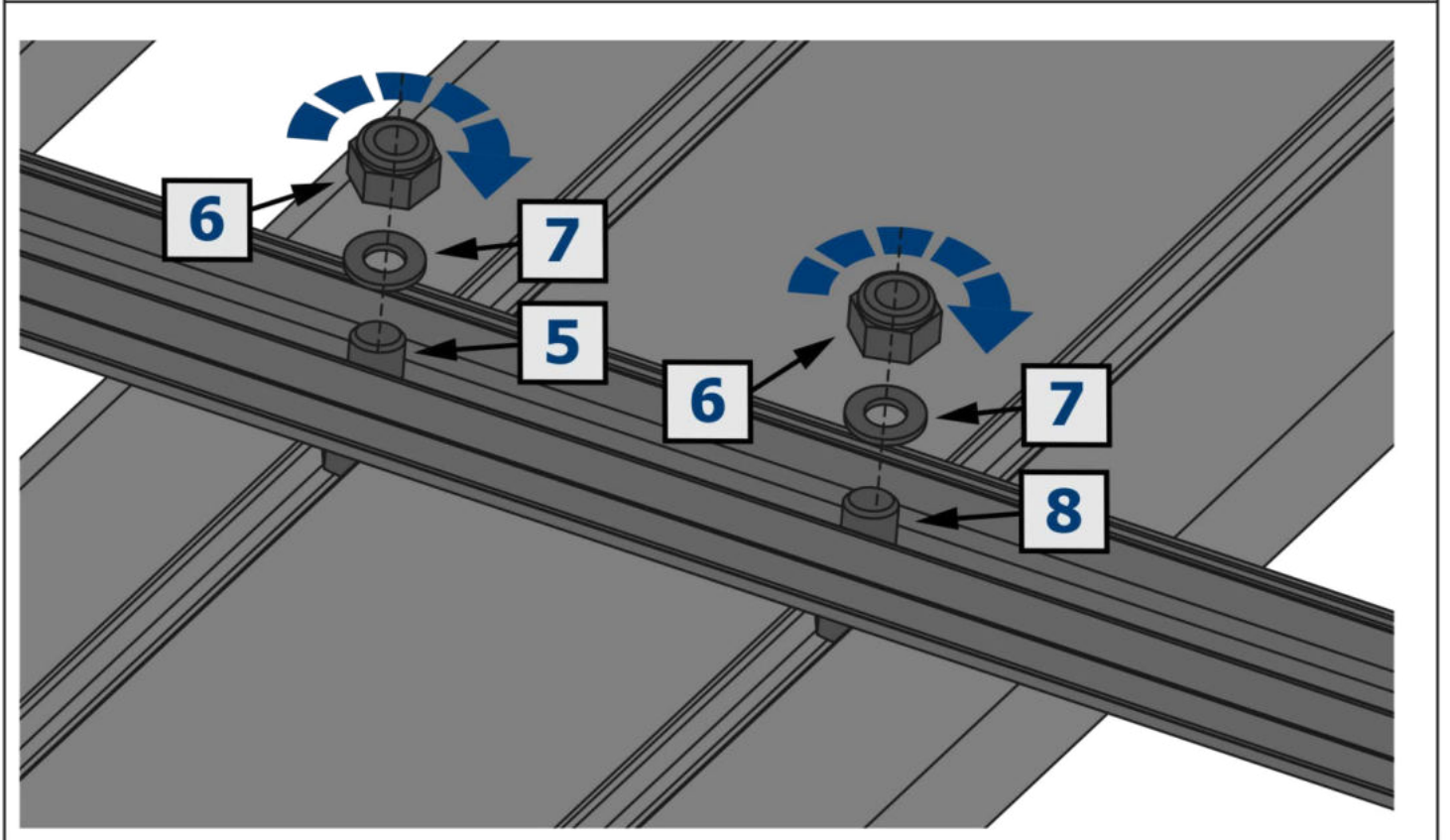
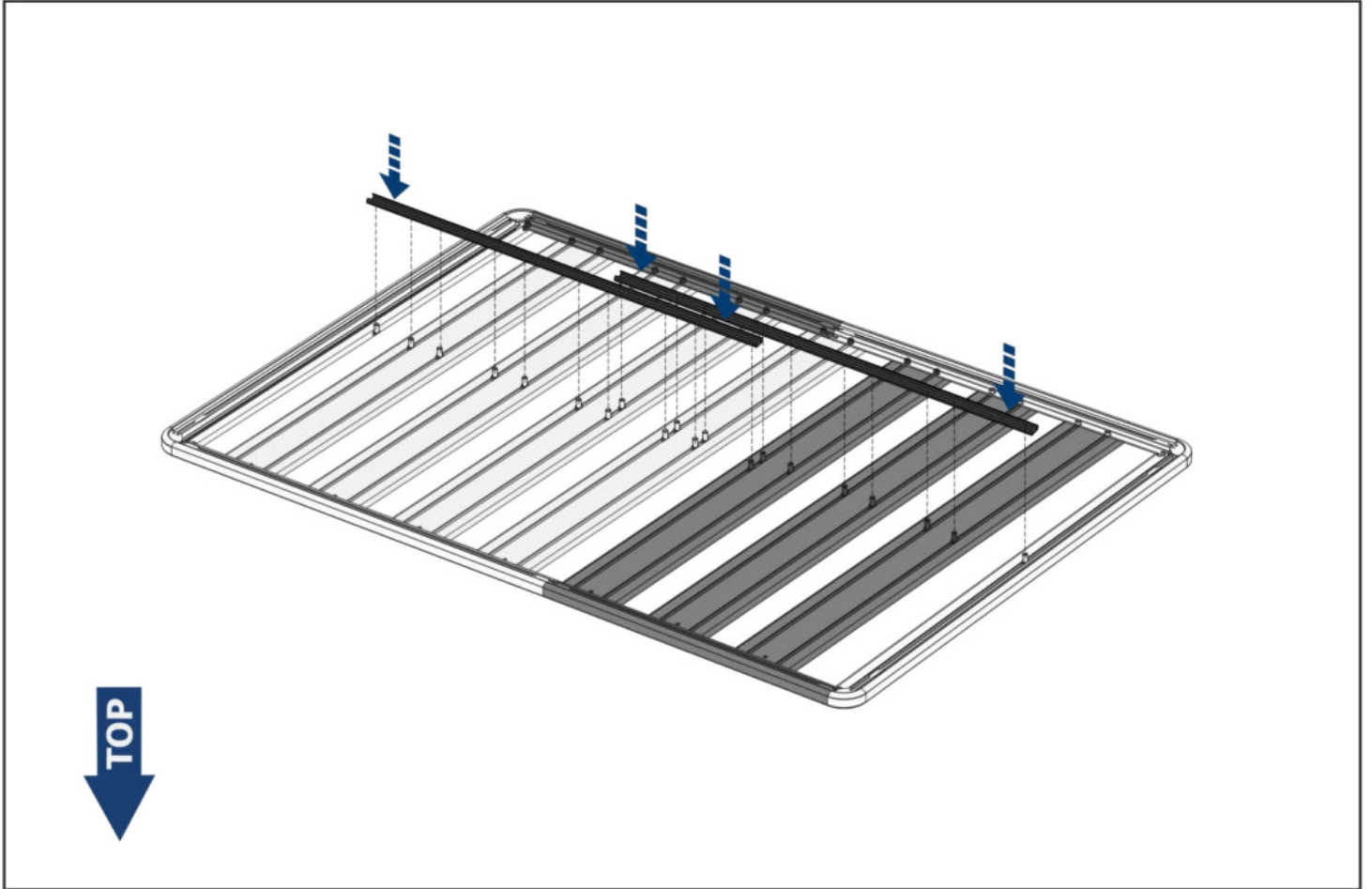




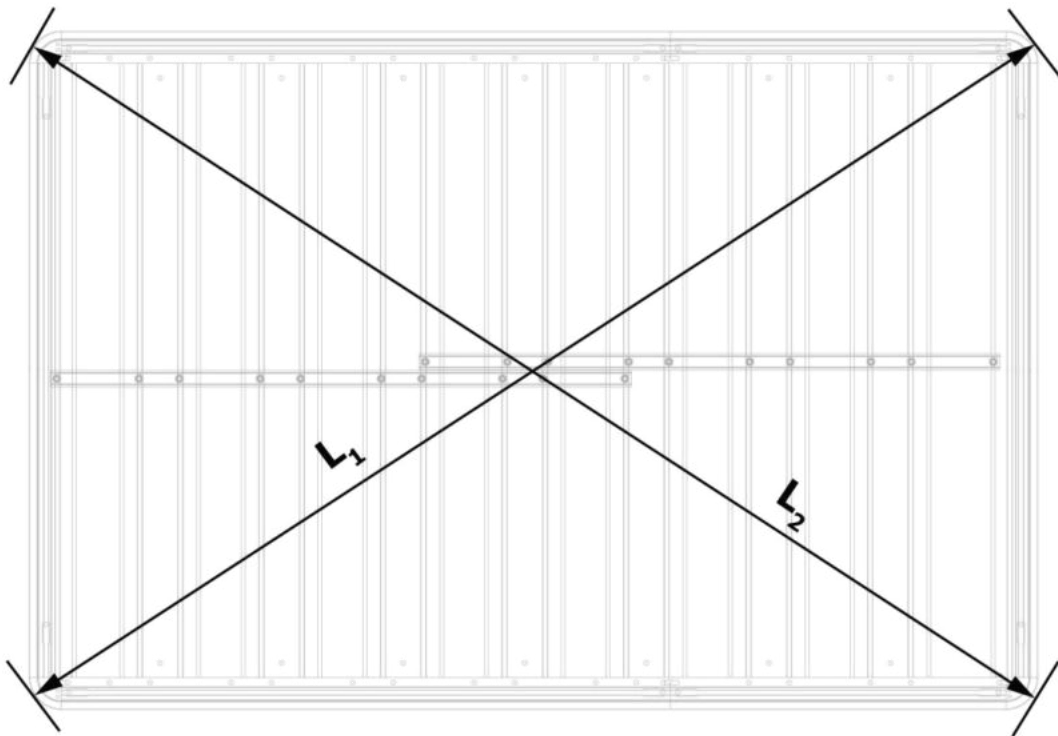
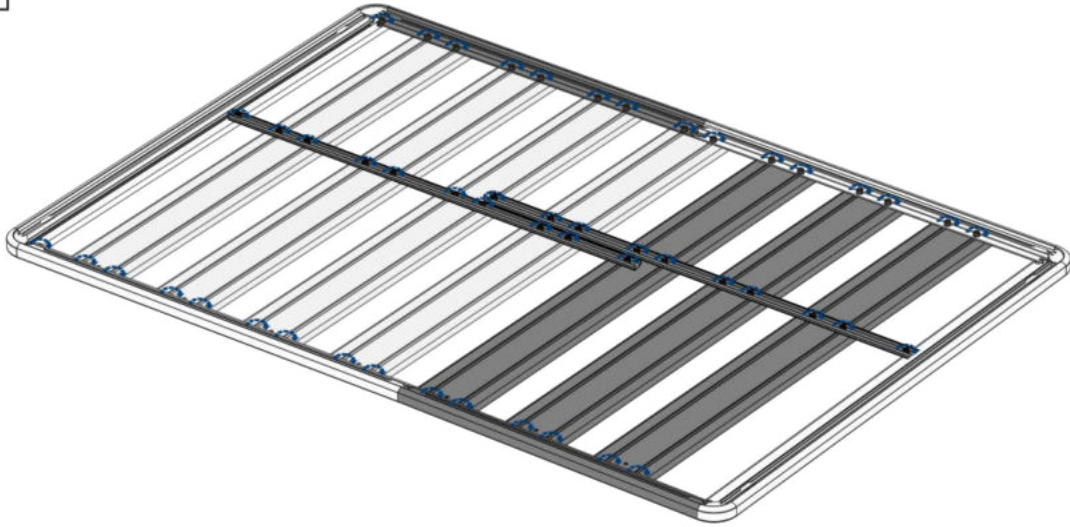












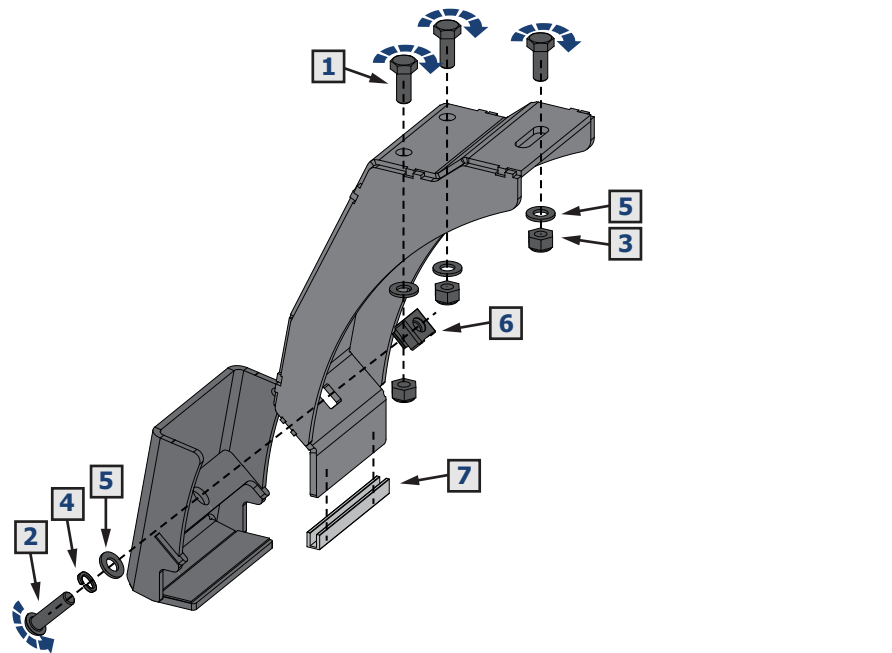
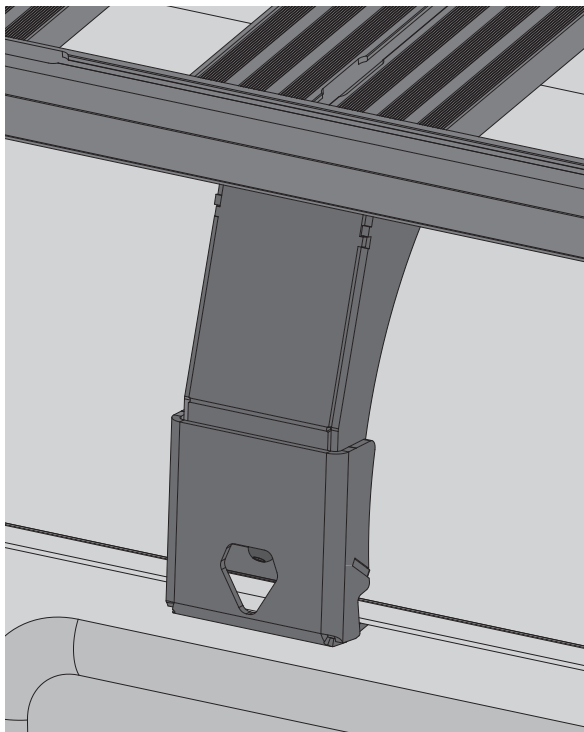
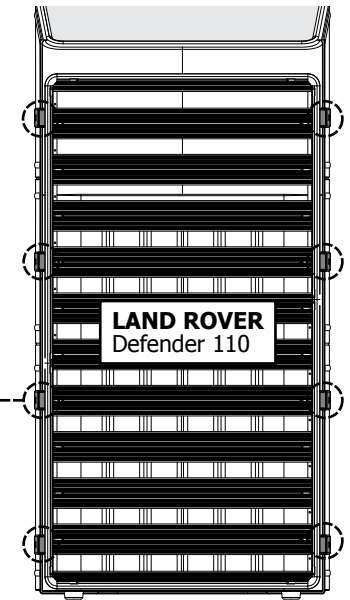
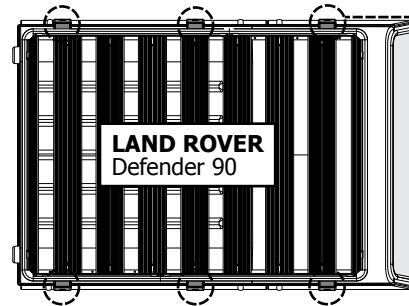
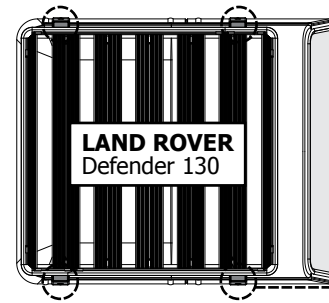
$$L_1 = L_2 \pm 1\text{mm}$$



## GUTTER MOUNTS for Land Rover Defender (1990-2016)

2M.3101.K

2M.3101.1; 2M.3101.2; 2M.3101.3



<b>1</b>		<b>2</b>		<b>3</b>		<b>4</b>		<b>5</b>		<b>6</b>		<b>7</b>	
	x6		x2		x6		x2		x8		x2		x2

