



**FRONT RUNNER**

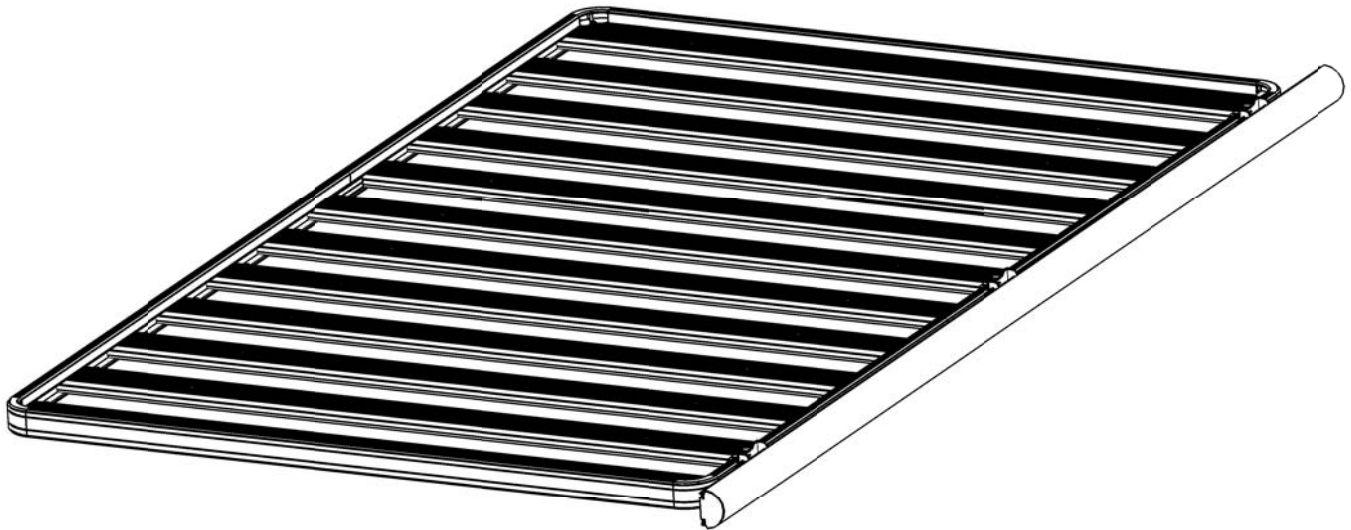
**FEATHERLITE AWNING  
BRACKET MK II**

**ENG**

RRAC029



**INSTALL TIME: 30 mins**



### **IMPORTANT WARNING!**

**IT IS CRITICAL THAT ALL FRONT RUNNER PRODUCTS BE PROPERLY AND SECURELY ASSEMBLED AND ATTACHED TO YOUR VEHICLE. IMPROPER ATTACHMENT COULD RESULT IN AN AUTOMOBILE ACCIDENT, AND COULD CAUSE SERIOUS BODILY INJURY OR DEATH TO YOU OR TO OTHERS. YOU ARE RESPONSIBLE FOR ASSEMBLING AND SECURING ALL FRONT RUNNER PRODUCTS TO YOUR VEHICLE, CHECKING THE ATTACHMENTS PRIOR TO USE, AND PERIODICALLY INSPECTING THE PRODUCTS FOR ADJUSTMENT, WEAR, AND DAMAGE. THEREFORE, YOU MUST READ AND UNDERSTAND ALL OF THE INSTRUCTIONS AND CAUTIONS SUPPLIED WITH YOUR FRONT RUNNER PRODUCT PRIOR TO INSTALLATION OR USE. IF YOU DO NOT UNDERSTAND ALL OF THE INSTRUCTIONS AND CAUTIONS, OR IF YOU HAVE NO MECHANICAL EXPERIENCE AND ARE NOT THOROUGHLY FAMILIAR WITH THE INSTALLATION PROCEDURES, YOU SHOULD HAVE THE PRODUCT INSTALLED BY A PROFESSIONAL INSTALLER OR OTHER QUALIFIED PERSONNEL.**

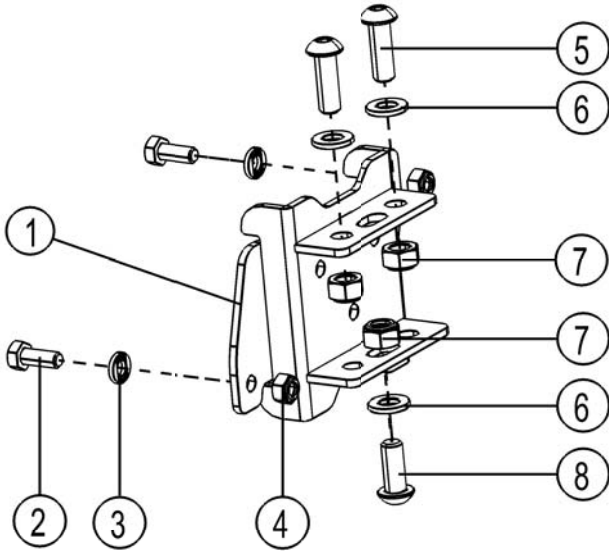
# 1 GET ORGANIZED



**Note:** If you assemble the Awning Brackets to the Frontrunner Slimline II Rack you will not require all the supplied fasteners. These will be used only if you have a Frontrunner Slimline Rack.

## SLIMLINE II RACK (STEPS 2A-C)

Here is what you are looking at:



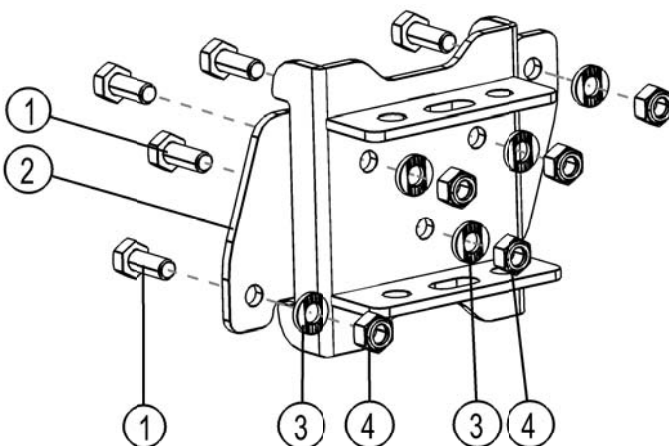
You will need:

- 10mm Flat and Socket Wrench
- 13mm Flat and Socket Wrench
- 5mm Hex Key
- Ladder
- Friend

Item #	Quantity	Description
1	3	MOUNTING BRACKET
2	6	M6x16 HEX BOLT
3	6	M6 FLAT WASHER
4	6	M6 NYLOC NUT
5	6	M8x25 BUTTON HEAD BOLT
6	9	M8 FLAT WASHER
7	9	M8 NYLOC NUT
8	3	M8x20 BUTTON HEAD BOLT

## SLIMLINE RACK (STEPS 3A-C)

Here is what you are looking at:



You will need:

- 10mm Flat and Socket Wrench
- Drill machine
- 6.5mm Drill Bit
- White Marking Pen
- Ladder
- Friend

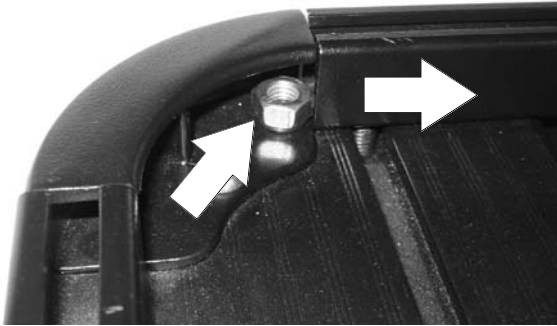
Item #	Quantity	Description
1	15	M6x16 HEX BOLT
2	3	MOUNTING BRACKET
3	15	M6 FLAT WASHER
4	15	M6 NYLOC NUT

**(A)** Familiarize yourself with the parts and then step away from the work area and read through these instructions from beginning to end. Take a moment as a little prep now may save you a lot of time later.

## 2 INSTALL AWNING BRACKETS TO SLIMLINE II RACK

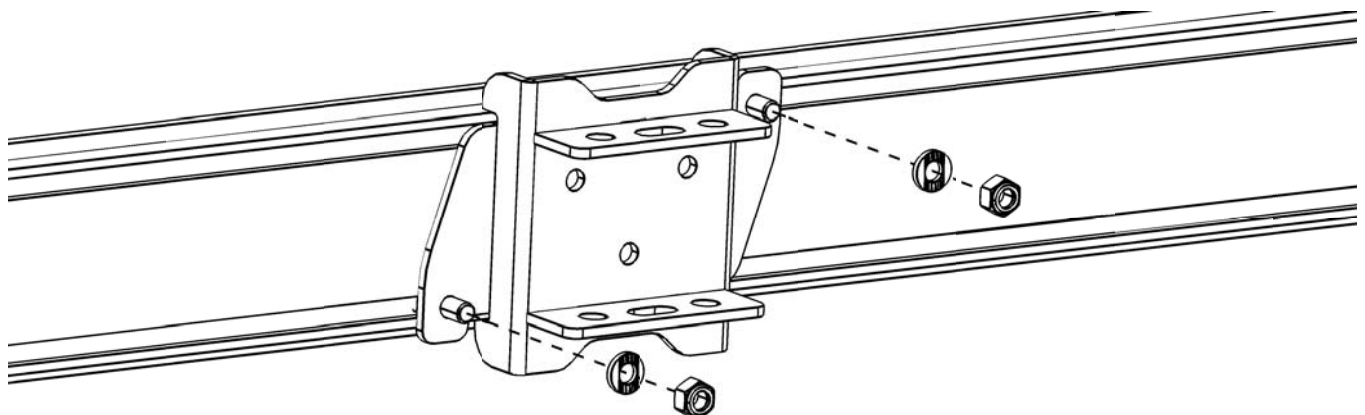
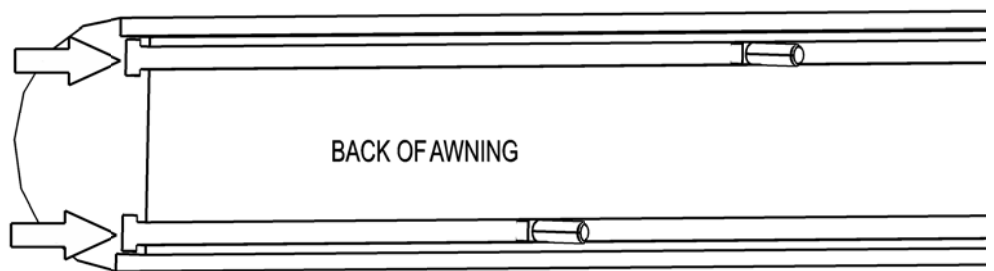
- (A) Decide on which side of the Slimline II Tray you would like to install the Awning.

At the chosen side, slide six M8 Nyloc nuts in the T-slot channel at the corner of the Tray making sure the M8 nyloc nut thread is facing upwards. Each pair of M8 Nyloc nuts will be used for each Awning Bracket. Spacing on the Nyloc nuts will depend on the length of the Tray and the Awning. The Awning Brackets must be positioned between two Slats.



- (B) On the back of the Awning, slide three M6 x 16 Hex Bolts supplied in the top extrusion slot and three in the bottom extrusion slot.

Place Awning Brackets over the M6 x 16 Hex Bolts (two per bracket). Fit M6 Flat Washer and M6 Nyloc Nut onto the Bolts. Space the Brackets according to the position desired on the end. Hand tighten the nuts.

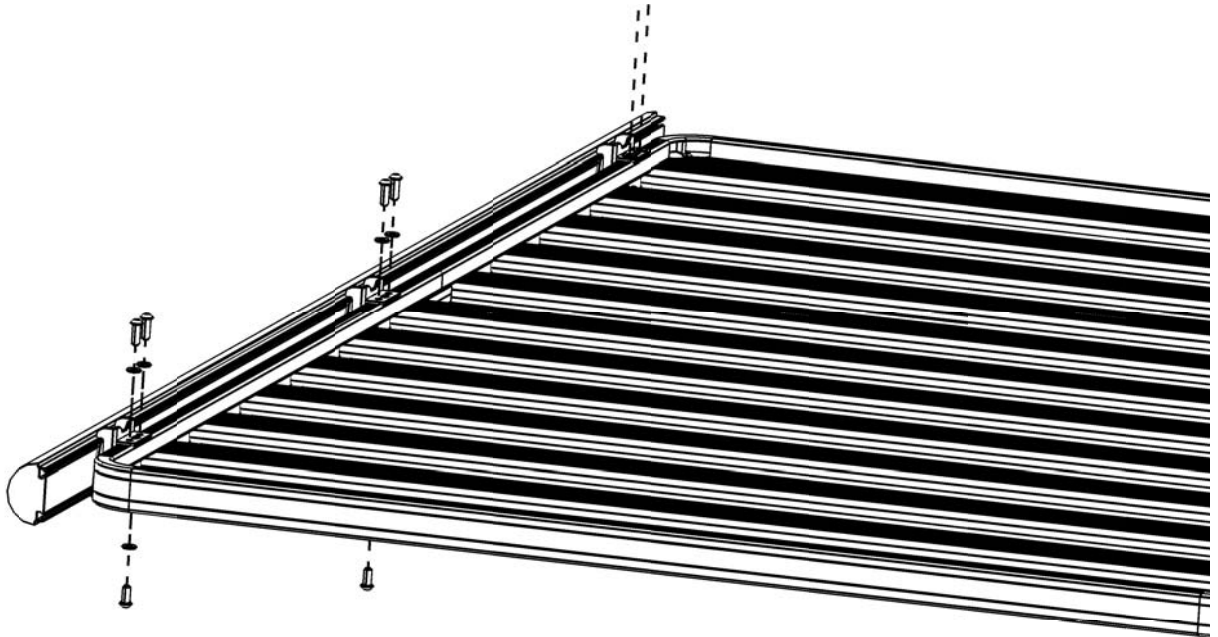


## 2 INSTALL AWNING BRACKETS TO SLIMLINE II RACK...CONT.

- ( C ) Position the Awning onto the Slimline II Rack with the help of a friend. Secure the center Bracket first. Fit the M8 Flat washer and M8 Nyloc nut loosely onto the M8 x 25 Button Head Bolts. Do the same at both end Brackets and ensure that the Awning is centered correctly

Underneath the Bracket, you will notice the center hole in the Bracket lines up to the hole in the Side Profile. Insert a M8 x 20 Button head Bolt, M8 Flat washer and secure with a M8 Nyloc nut. Tighten using a 5mm Hex key and 13mm Wrench.

Position Awning to desired place and using a 10mm Wrench tighten M6 Nyloc Nuts in the T-slot.



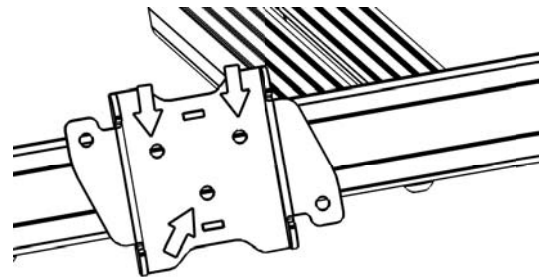
- ( D ) Congratulations, you have completed your installation. Take a step back and admire your work. Good Job!

## 3 INSTALL AWNING BRACKETS TO SLIMLINE RACK

- ( A ) Decide which side of the Slimline Rack you would like to install the Awning.

At the chosen side, place the Awning Brackets between two slats, start at either end of the Basket.

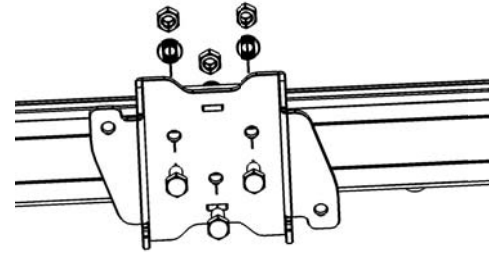
Place the third Bracket in the center. Make sure the two holes on the bracket are on top. Using a white marking pen mark the three center holes in each Awning Bracket. Remove the three Awning Brackets.



### 3 INSTALL AWNING BRACKETS TO SLIMLINE RACK

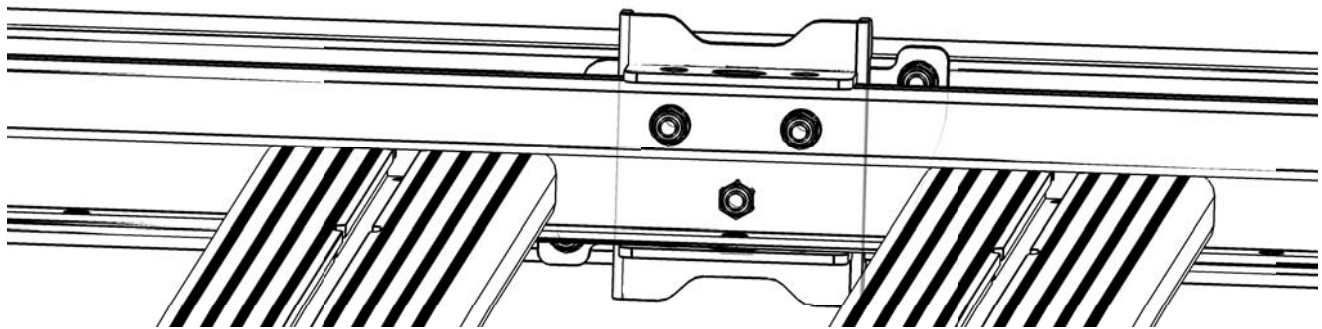
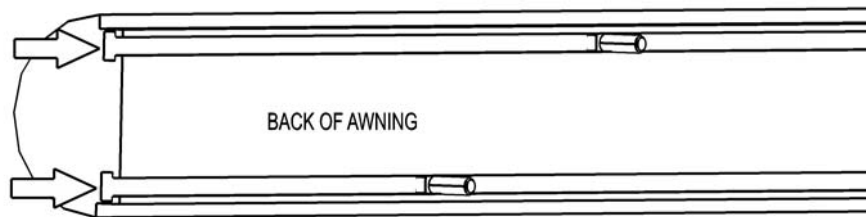
- ( B ) Drill a 6.5mm hole on the marked positions.

Place the three Awning Brackets on the Basket so the holes in the bracket line up with the holes you just drilled. Insert three M6 x 16 Hex Bolts and secure with M6 Flat washer and M6 Nyloc nut into each Awning Bracket. Tighten using a 10mm Wrench.



- ( C ) On the back of the Awning, slide three M6 x 16 Hex Bolts supplied in the top extrusion slot and three in the bottom extrusion slot.

With the help of a friend, lift the Awning up and move towards the Basket lining up the bolts in the Awning with the holes in the Awning Brackets. Insert M6 Flat Washer and M6 Nyloc Nut onto each bolt. Tighten M6 Nyloc nuts using a 10mm Wrench.



- ( D ) Congratulations, you have completed your installation. Take a step back and admire your work. Good Job!

### 4 INSTALL OTHER VEHICLE AND RACK ACCESSORIES

- ( A ) Now's the time to visit your favourite Front Runner dealer in person or online.