

SP_SSL_LEDDL105-SP 14W 12/24V Cust. Info

RL 2018-09-18

9C1 3673696-EN-00

Released

SP SSL&EL München 700

ECM

Moritz Schulz AMW

Template: ZOT 10000028

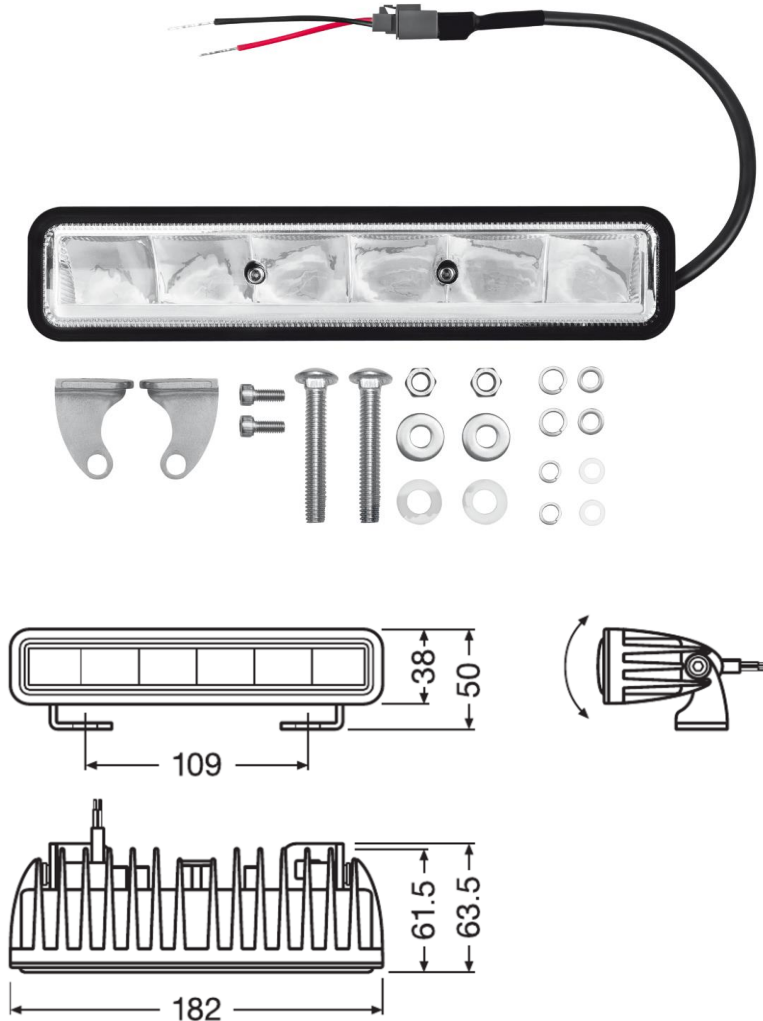
External no.:

Page 1 of 3

OSRAM GmbH: Chairman of the Supervisory Board: Peter Bauer; Managing Directors: Dr. Olaf Berlien (Chairman), Ingo Bank, Dr. Stefan Kampmann;
Registered office: Munich; Commercial registry: Munich, HRB 201526; WEEE-Reg.-No. DE 71568000

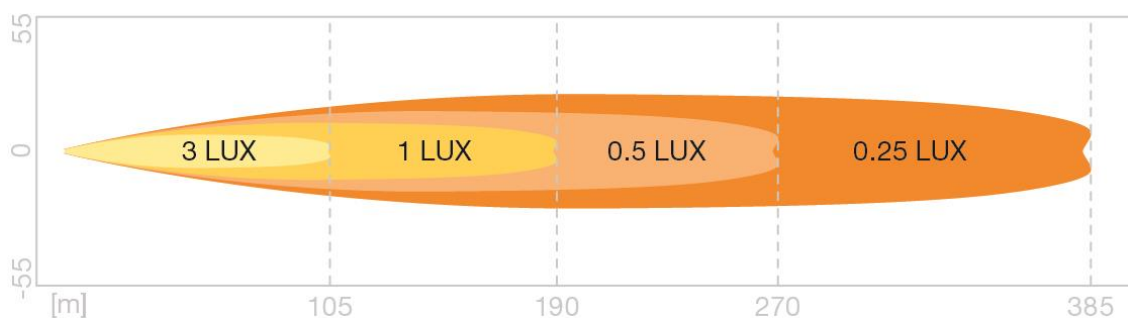
Lightbar SX180-SP - Customer Information Sheet

LEDDL105-SP 12/24V



General tolerances in accordance with ISO 2768-v (Allgemeine Toleranzen nach ISO 2768-v)

Light distribution (Lichtverteilung)



#OSRAM OLQ(V)
#700 #MO.SCHULZ
#AMW #SP_SSL_LEDDL105-SP 14W 12/24V Cust. Info #
#2018-09-18
#RL-Released
9C1 3673696-EN-00

SP_SSL_LEDDL105-SP 14W 12/24V Cust. Info **RL 2018-09-18** **9C1 3673696-EN-00**

Released

SP SSL&EL München 700

ECM

Moritz Schulz AMW

Template: ZOT 10000028

External no.:

Page 2 of 3

OSRAM GmbH: Chairman of the Supervisory Board: Peter Bauer; Managing Directors: Dr. Olaf Berlien (Chairman), Ingo Bank, Dr. Stefan Kampmann;
Registered office: Munich; Commercial registry: Munich, HRB 201526; WEEE-Reg.-No. DE 71568000

Packaging content (Verpackungsinhalt)

No.	Part Name	Description	Qty
1	LED Bar	Housing: AL with black powder painting	1
2	Side Bracket 1Set (2 pcs.)	Stainless Steel	1
3	M6*16 Hexagon Socket Head Cap Screw	Stainless Steel	2
4	M6 Plastic Washer	Plastic	2
5	M6 Spring Washer	Stainless Steel	2
6	M6 Plain Washer	Stainless Steel	2
7	M8*45 Hexagon Socket Head Cap Screw	Stainless Steel	2
8	M8 Plastic Washer	Plastic	2
9	M8 Spring Washer	Stainless Steel	2
10	M8 Plain Washer	Stainless Steel	2
11	M8 Self-locking Nut	Stainless Steel	2
12	User Manual		1

Standards and regulations (Normen und Vorschriften)

EMC/EMI	ECE R10
IP Class	IP69K
ECE	ECE R112 (Ref. No. 10)
Other legal requirements	RoHS, REACH

Electrical and photometrical data (Elektrische und lichttechnische Daten)

Characteristics (Messwert)	Symbol	Unit (Einheit)	Major / Minor	Tolerance (Toleranz) [%]
Voltage (Spannung)	U	V	12/24V	10V-30V
Wattage (Leistung) @25°C	P	W	14W (typ.)	±10%
Steady State luminous flux (Lichtstrom) (30min. @25°C & 13,2V Goniometer: Vertical & horizontal : ±90°)	Φ	lm	1300lm	±10%

Life time (Lebensdauer)

Test (Prüfung)			
Life time average (@25°C)	T _c	h	5.000

SP_SSL_LEDDL105-SP 14W 12/24V Cust. Info **RL 2018-09-18** **9C1 3673696-EN-00**
 Released SP SSL&EL München 700
 ECM Moritz Schulz AMW

Template: ZOT 10000028

External no.:

Page 3 of 3

OSRAM GmbH: Chairman of the Supervisory Board: Peter Bauer; Managing Directors: Dr. Olaf Berlien (Chairman), Ingo Bank, Dr. Stefan Kampmann;
 Registered office: Munich; Commercial registry: Munich, HRB 201526; WEEE-Reg.-No. DE 71568000

Further specifications (Weitere Spezifikationen)

Test (Prüfung)	Rated value (Sollwert)	Test specification (Norm)
Color temperature (Farbtemperatur)	Cold White (6000K)	+/- 500K
Ambient Temperature range (Ta)	25°C	-30°C~+60°C
Storage Temperature range (Ts)	25°C	-40°C~+80°C
Derating, dimming	-30~60°C >60°C	no dimming NTC protection dimming
Light distance @1x	≥180m	
Weight (light + application material)	450g	±20g
Connector	Deutsch(DT04-2P,DT06-2S)	
Wire length	Lamp to connector: 45cm Pigtail wire: 15cm	±2cm ±3cm
Polarity	Polarity Protection	

Process of manufacturing (Fertigungsprozess)

This product is designed and manufactured for the Automotive Aftermarket. Please consider the product specification to match the customer requirements. Dieses Produkt wurde für den Aftermarket entwickelt und produziert. Es ist unabdingbar, die Produktspezifikation mit den Kundenanforderungen abzugleichen.

Successive listing of changes (Änderungsfortschreibung)

Issue (Ausgabe):	Reason for change (Änderungsgrund):
09.08.2018	First Version
07.09.2018	Light distribution, derating

#OSRAM OLQ(V) #700 #MO.SCHULZ #Info #14W 12/24V Cust. #SP_SSL_LEDDL105-SP #AMW #2018-09-18 #RL-Released #9C1 3673696-EN-00