

SP_SSL_LEDDL105-SP 14W 12/24V Cust. Info

RL 2018-09-18

9C1 3673696-EN-00

Released

SP SSL&EL München 700

ECM

Moritz Schulz AMW

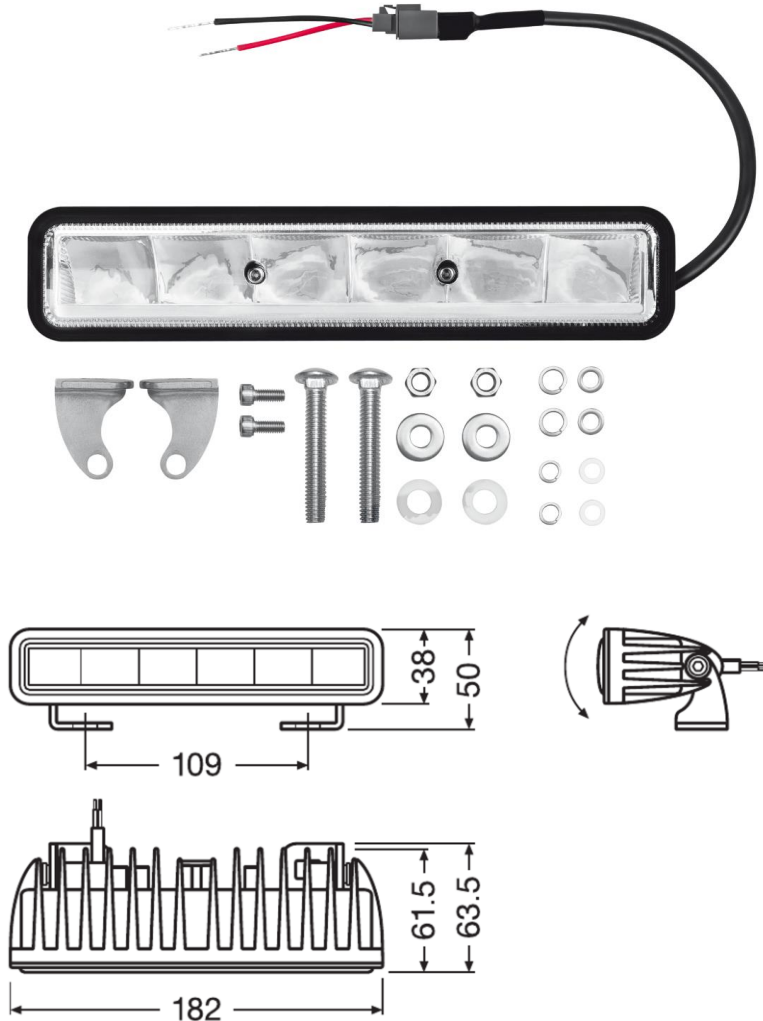
Template: ZOT 10000028

External no.:

Page 1 of 3

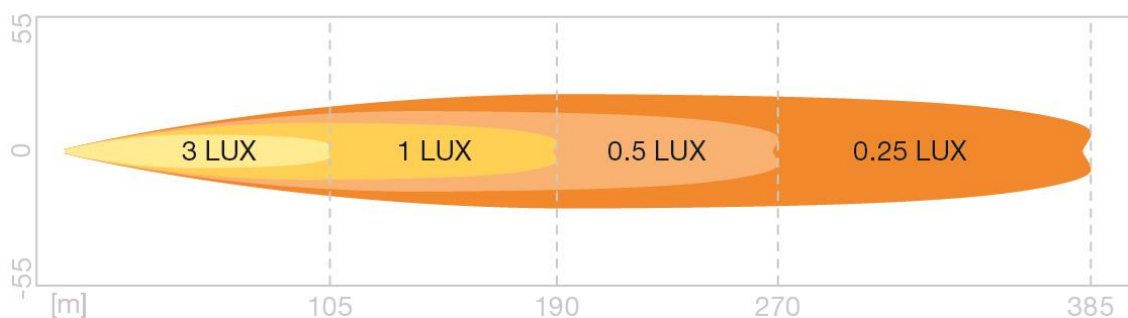
OSRAM GmbH: Chairman of the Supervisory Board: Peter Bauer; Managing Directors: Dr. Olaf Berlien (Chairman), Ingo Bank, Dr. Stefan Kampmann;
Registered office: Munich; Commercial registry: Munich, HRB 201526; WEEE-Reg.-No. DE 71568000

Lightbar SX180-SP - Customer Information Sheet LEDDL105-SP 12/24V



General tolerances in accordance with ISO 2768-v (Allgemeine Toleranzen nach ISO 2768-v)

Light distribution (Lichtverteilung)



SP_SSL_LEDDL105-SP 14W 12/24V Cust. Info RL 2018-09-18 9C1 3673696-EN-00

Released

SP SSL&EL München 700

ECM

Moritz Schulz AMW

Template: ZOT 10000028

External no.:

Page 2 of 3

OSRAM GmbH: Chairman of the Supervisory Board: Peter Bauer; Managing Directors: Dr. Olaf Berlien (Chairman), Ingo Bank, Dr. Stefan Kampmann;
Registered office: Munich; Commercial registry: Munich, HRB 201526; WEEE-Reg.-No. DE 71568000

Packaging content (Verpackungsinhalt)

| No. | Part Name | Description | Qty |
|-----|-------------------------------------|--|-----|
| 1 | LED Bar | Housing: AL with black powder painting | 1 |
| 2 | Side Bracket 1Set (2 pcs.) | Stainless Steel | 1 |
| 3 | M6*16 Hexagon Socket Head Cap Screw | Stainless Steel | 2 |
| 4 | M6 Plastic Washer | Plastic | 2 |
| 5 | M6 Spring Washer | Stainless Steel | 2 |
| 6 | M6 Plain Washer | Stainless Steel | 2 |
| 7 | M8*45 Hexagon Socket Head Cap Screw | Stainless Steel | 2 |
| 8 | M8 Plastic Washer | Plastic | 2 |
| 9 | M8 Spring Washer | Stainless Steel | 2 |
| 10 | M8 Plain Washer | Stainless Steel | 2 |
| 11 | M8 Self-locking Nut | Stainless Steel | 2 |
| 12 | User Manual | | 1 |

Standards and regulations (Normen und Vorschriften)

| | |
|--------------------------|------------------------|
| EMC/EMI | ECE R10 |
| IP Class | IP69K |
| ECE | ECE R112 (Ref. No. 10) |
| Other legal requirements | RoHS, REACH |

Electrical and photometrical data (Elektrische und lichttechnische Daten)

| Characteristics (Messwert) | Symbol | Unit (Einheit) | Major / Minor | Tolerance (Toleranz) [%] |
|---|--------|----------------|---------------|--------------------------|
| Voltage (Spannung) | U | V | 12/24V | 10V-30V |
| Wattage (Leistung) @25°C | P | W | 14W (typ.) | ±10% |
| Steady State luminous flux (Lichtstrom) (30min. @25°C & 13,2V Goniometer: Vertical & horizontal : ±90°) | Φ | lm | 1300lm | ±10% |

Life time (Lebensdauer)

| Test (Prüfung) | | | |
|---------------------------|----------------|---|-------|
| Life time average (@25°C) | T _c | h | 5.000 |

SP_SSL_LEDDL105-SP 14W 12/24V Cust. Info

RL 2018-09-18

9C1 3673696-EN-00

Released

SP SSL&EL München 700

ECM

Moritz Schulz AMW

Template: ZOT 10000028

External no.:

Page 3 of 3

OSRAM GmbH: Chairman of the Supervisory Board: Peter Bauer; Managing Directors: Dr. Olaf Berlien (Chairman), Ingo Bank, Dr. Stefan Kampmann;
Registered office: Munich; Commercial registry: Munich, HRB 201526; WEEE-Reg.-No. DE 71568000

Further specifications (Weitere Spezifikationen)

| Test (Prüfung) | Rated value (Sollwert) | Test specification (Norm) |
|---------------------------------------|---|--------------------------------------|
| Color temperature (Farbtemperatur) | Cold White (6000K) | +/- 500K |
| Ambient Temperature range (Ta) | 25°C | -30°C~+60°C |
| Storage Temperature range (Ts) | 25°C | -40°C~+80°C |
| Derating, dimming | -30~60°C >60°C | no dimming NTC protection dimming |
| Light distance @1lx | ≥180m | |
| Weight (light + application material) | 450g | ±20g |
| Connector | Deutsch(DT04-2P,DT06-2S) | |
| Wire length | Lamp to connector: 45cm Pigtail wire: 15cm | ±2cm ±3cm |
| Polarity | Polarity Protection | |

Process of manufacturing (Fertigungsprozess)

This product is designed and manufactured for the Automotive Aftermarket. Please consider the product specification to match the customer requirements. Dieses Produkt wurde für den Aftermarket entwickelt und produziert. Es ist unabdingbar, die Produktspezifikation mit den Kundenanforderungen abzugleichen.

Successive listing of changes (Änderungsfortschreibung)

| Issue (Ausgabe): | Reason for change (Änderungsgrund): |
|------------------|-------------------------------------|
| 09.08.2018 | First Version |
| 07.09.2018 | Light distribution, derating |
| | |
| | |