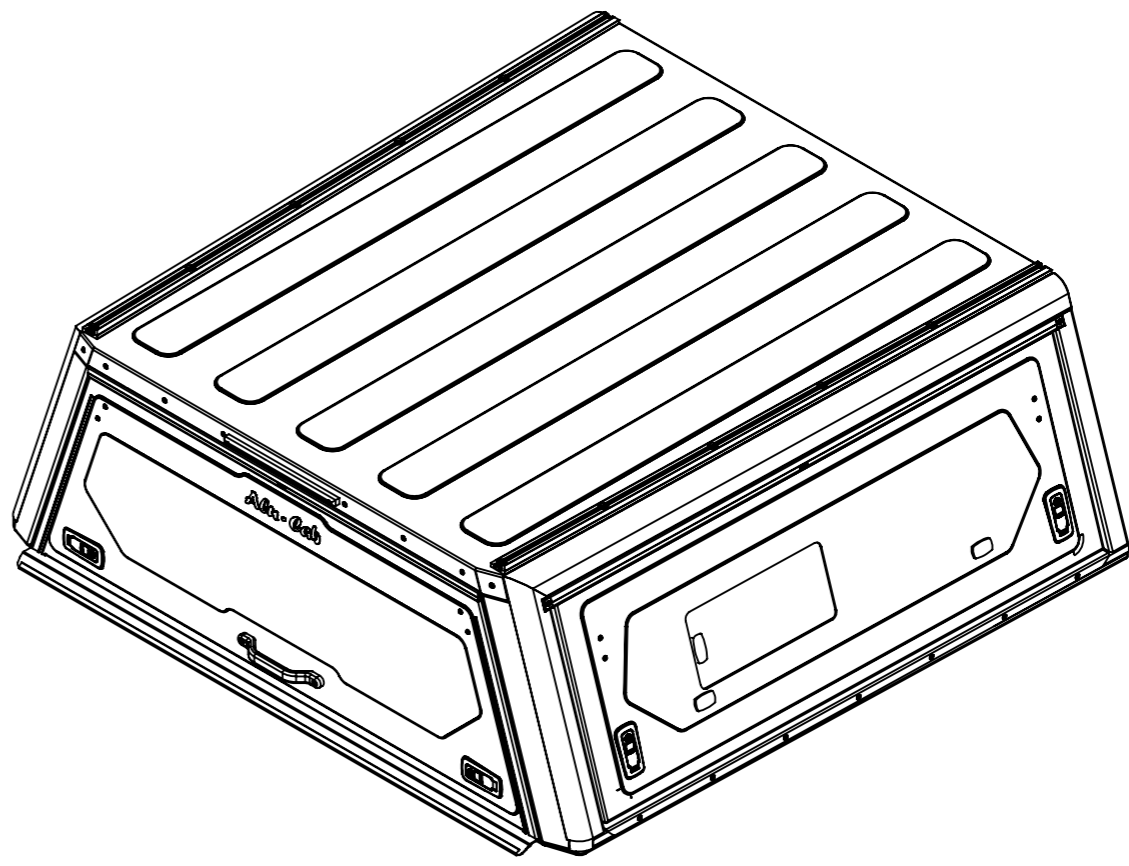
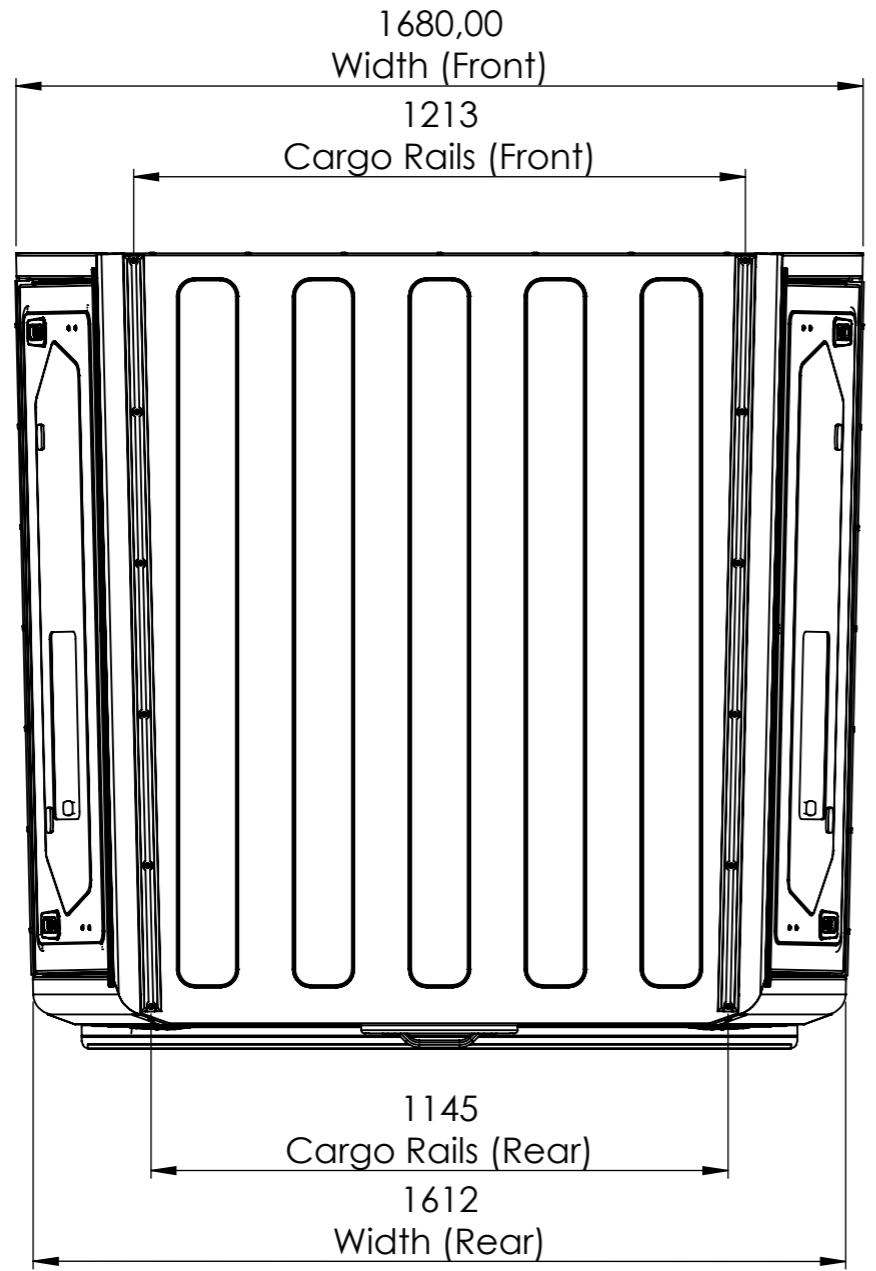
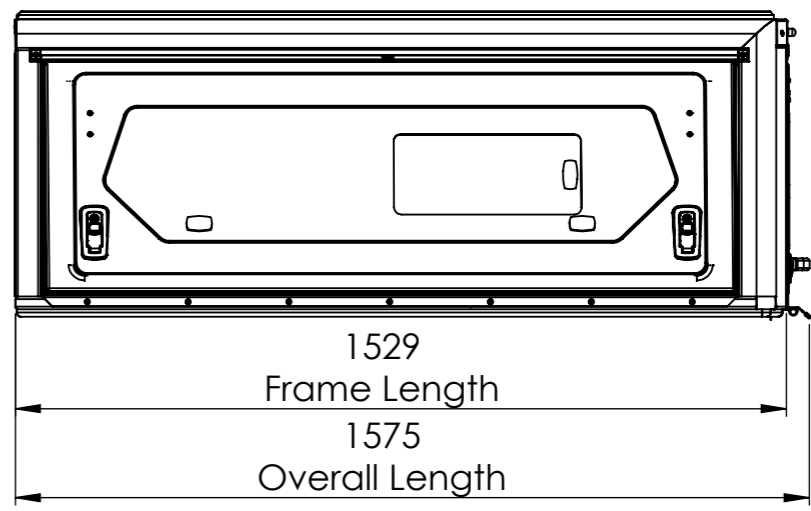


General Arrangement Only



ASSY INFO	MASS (kg):	74198.0
	BONDED:	
	FASTENED:	
FINISH	WELDED:	
	TUMBLED:	
	BRUSHED:	
	POWDER:	
	SPRAY:	
	COLOUR:	N/A

TOLERANCES TO ASSUME  
UNLESS INDICATED OTHERWISE

NOM	DIMENSION	RANGE (mm)	TOLERANCE
0.50	-	3.00	± 0.10
3.00	-	6.00	± 0.15
6.00	-	30	± 0.20
30	-	120	± 0.30
120	-	400	± 0.50
400	-	1000	± 1.00
1000	-	1000<	± 2.00

DESCRIPTION: <b>AMAROK MAIN ASSEMBLY</b>		SHEET: A3
PROJECT: <b>C2-D-VA10</b>		SHEET 1 of 1
DRAWN BY: Gideon Muller		SCALE: 1:15
DATE: 2022-09-16		DRAWING NO. <b>C2-D-VA10-A00_GA</b>
THE INFORMATION CONTAINED WITHIN THIS DOCUMENT IS THE INTELLECTUAL PROPERTY OF ALU-CAB (PTY) LTD		



REV.	DESCRIPTION	DATE	APPROVED

REV