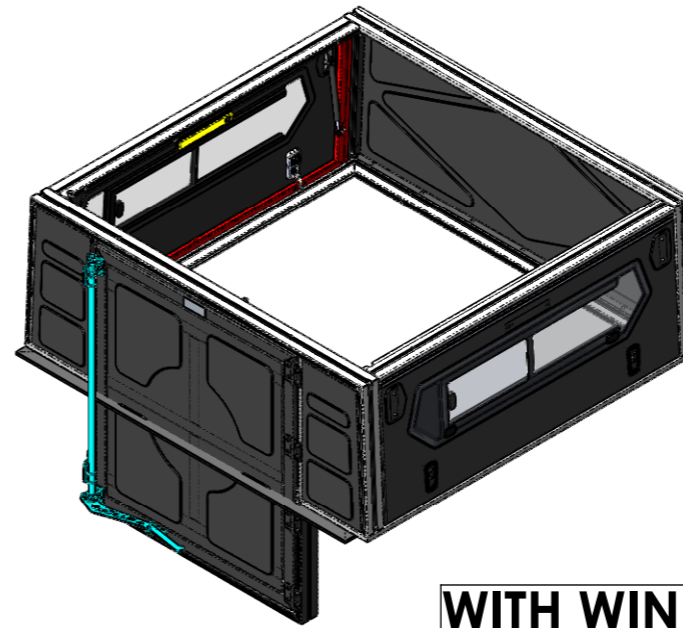
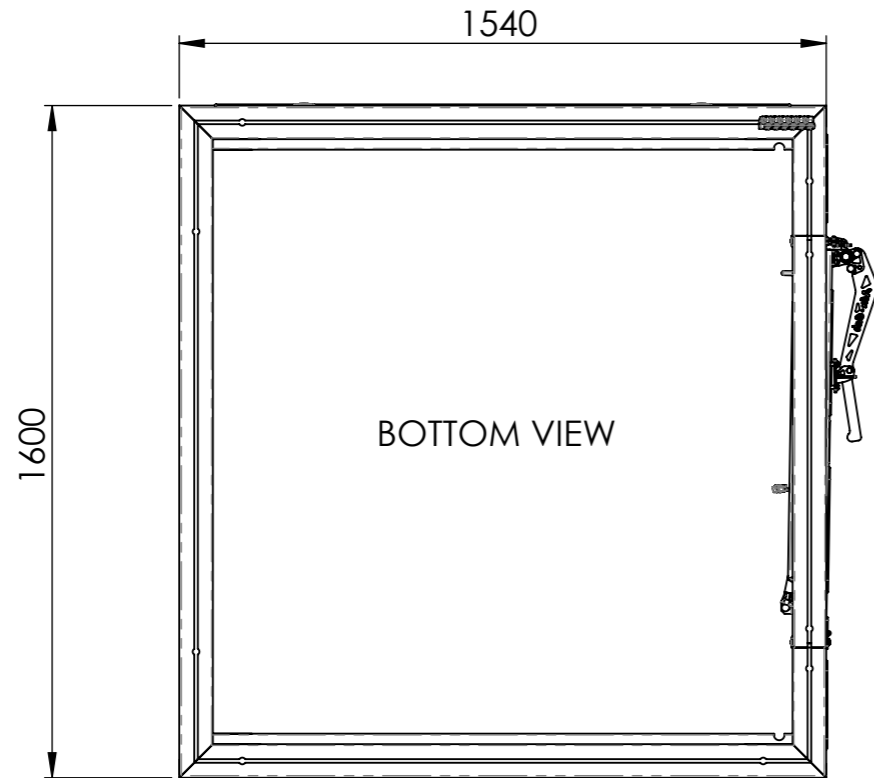
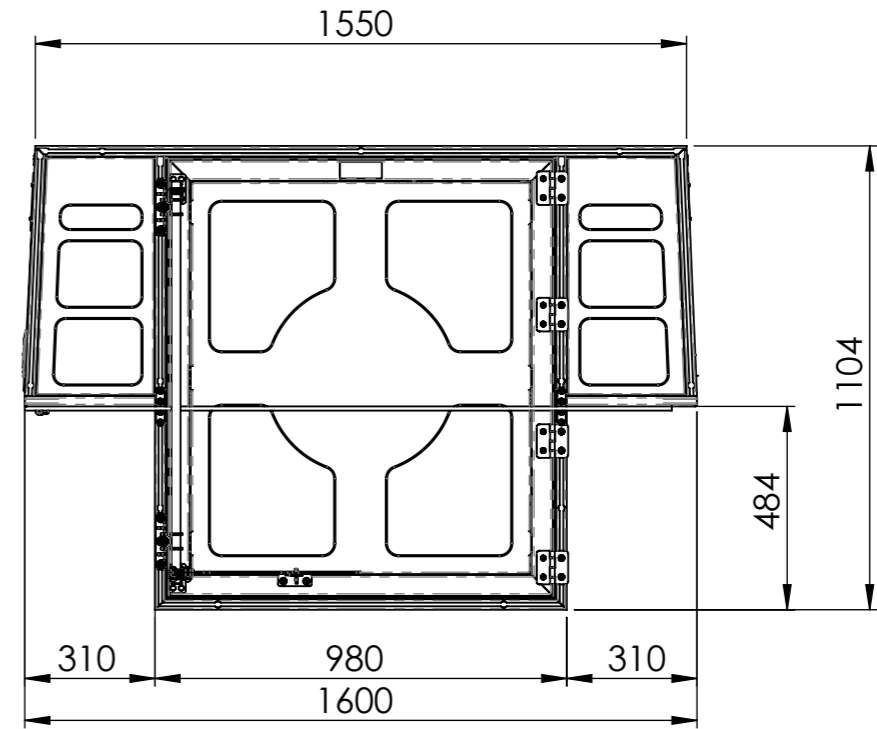
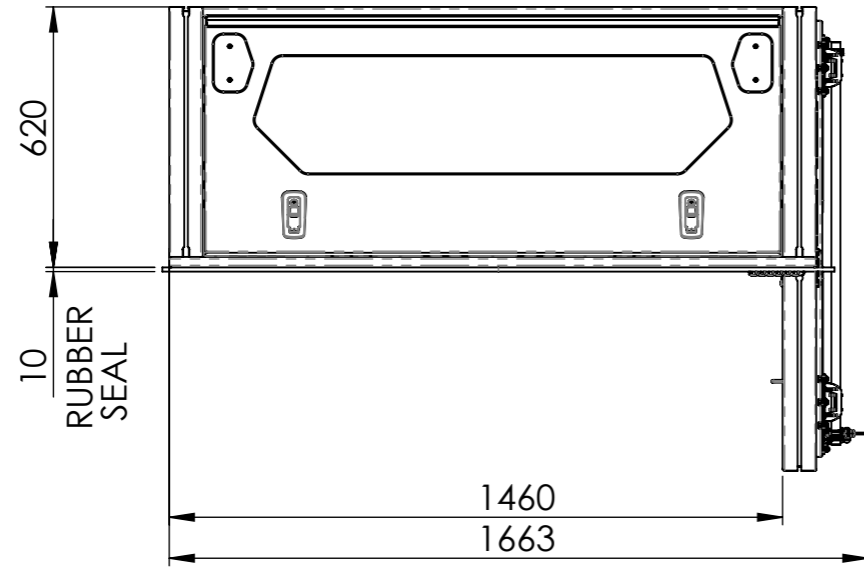
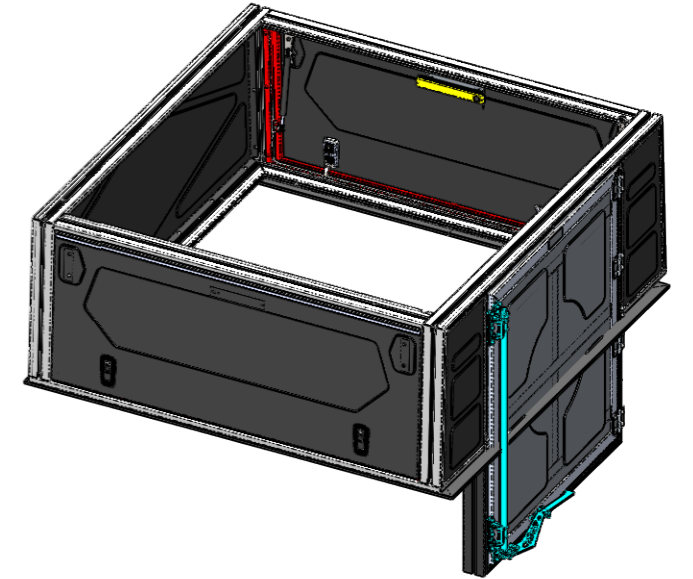


GENERAL ARRANGEMENT

ASSY INFO	MASS (kg):	
	BONDED:	Y
	FASTENED:	Y
FINISH	WELDED:	Y
	TUMBLED:	
	BRUSHED:	
	POWDER:	
	SPRAY:	
	COLOUR:	N/A



WITH WINDOWS



NO WINDOWS

APPROXIMATE WEIGHT: 80KG

TOLERANCES TO ASSUME UNLESS INDICATED OTHERWISE

NOM	DIMENSION	RANGE (mm)	TOLERANCE
0.50	-	3.00	± 0.10
3.00	-	6.00	± 0.15
6.00	-	30	± 0.20
30	-	120	± 0.30
120	-	400	± 0.50
400	-	1000	± 1.00
1000	-	1000<	± 2.00

DESCRIPTION:	CC2 BO DC BASE ASSEMBLY - NO WINDOW
PROJECT:	CC-DC-BO-BASE
DRAWN BY:	System Administrator
DATE:	2024/01/26
THE INFORMATION CONTAINED WITHIN THIS DOCUMENT IS THE INTELLECTUAL PROPERTY OF ALU-CAB (PTY) LTD	

SHEET:	A3
SCALE:	1:18
SHEET:	1 of 1
DRAWING NO.:	CC2-BO-DC-BASE-GA



REV 00