

FITMENT INSTRUCTIONS

Alu-Cab™



Shower Cube to Load bars

Should you experience any problems please
contact us so that we can assist you

Enquiries: queries@alu-cab.co.za
Tel: +27 21 703 3028

1. Shower Cubicle Fitment – Tools, Fasteners & Materials

The tables below show the equipment, i.e. tools and fasteners required to start the shower cubicle fitment onto a Icarus Tent.

1.1. Tools & Items Required:

<u>TOOLS</u>
Ratchet
13mm Socket
13mm Ring Flat Spanner

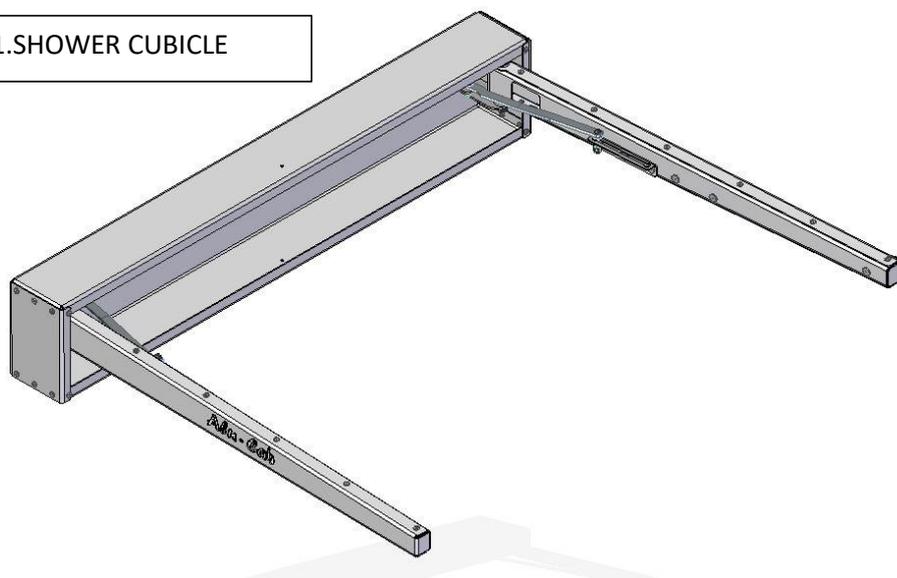
1.2. Fasteners supplied: (Included with Shower Cubicle)

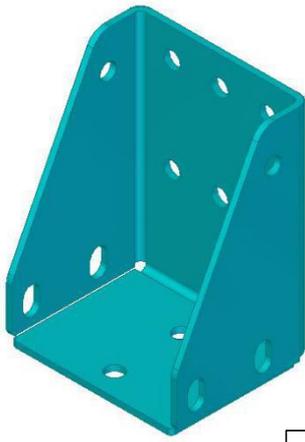
<u>ITEM</u>	<u>QUALITY</u>
HEX HEAD BOLT M8X20	12
M8 FLAT WASHER	14
M8 NYLOC NUT	12
M8 PLASTIC NUT CAP	14

1.3. Hardware Required: (Included with Shower Cubical)

<u>ITEM</u>	<u>DESCRIPTION</u>	<u>QUANTITY</u>
SHOWER CUBICLE	SHOWER CUBICLE ASSEMBLY	1
SHOWER CUBICLE BAG	BLACK SHOWER CUBICLE BAG	1
SHOWER CURTAIN	GREY SHOWER CURTAIN	1
AWNING MOUNTING BRACKET	AMB-000-001 Rev b	2
AWNING BRACKET BACK PLATE	AMB-000-002	2

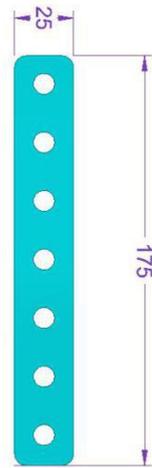
Fig 1.SHOWER CUBICLE





x2

Fig 2. AMB-000-001 Rev b



x2

Fig 3. AMB-000-002

2. Mounting the brackets to Load bar

Fig .4

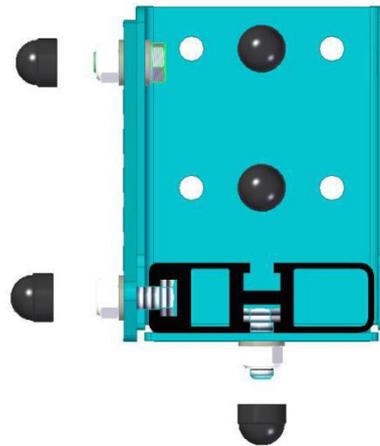
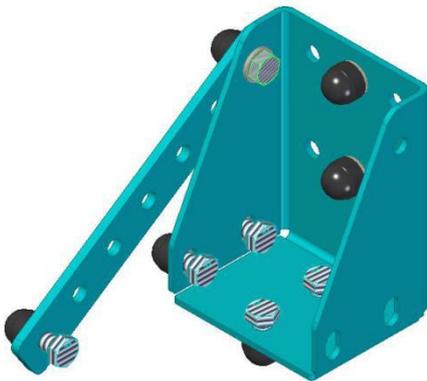


Fig.5

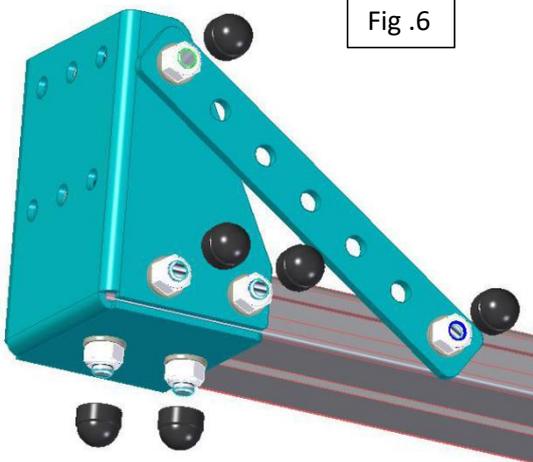


Fig .6

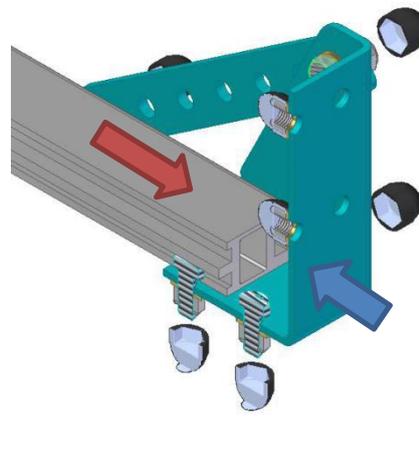
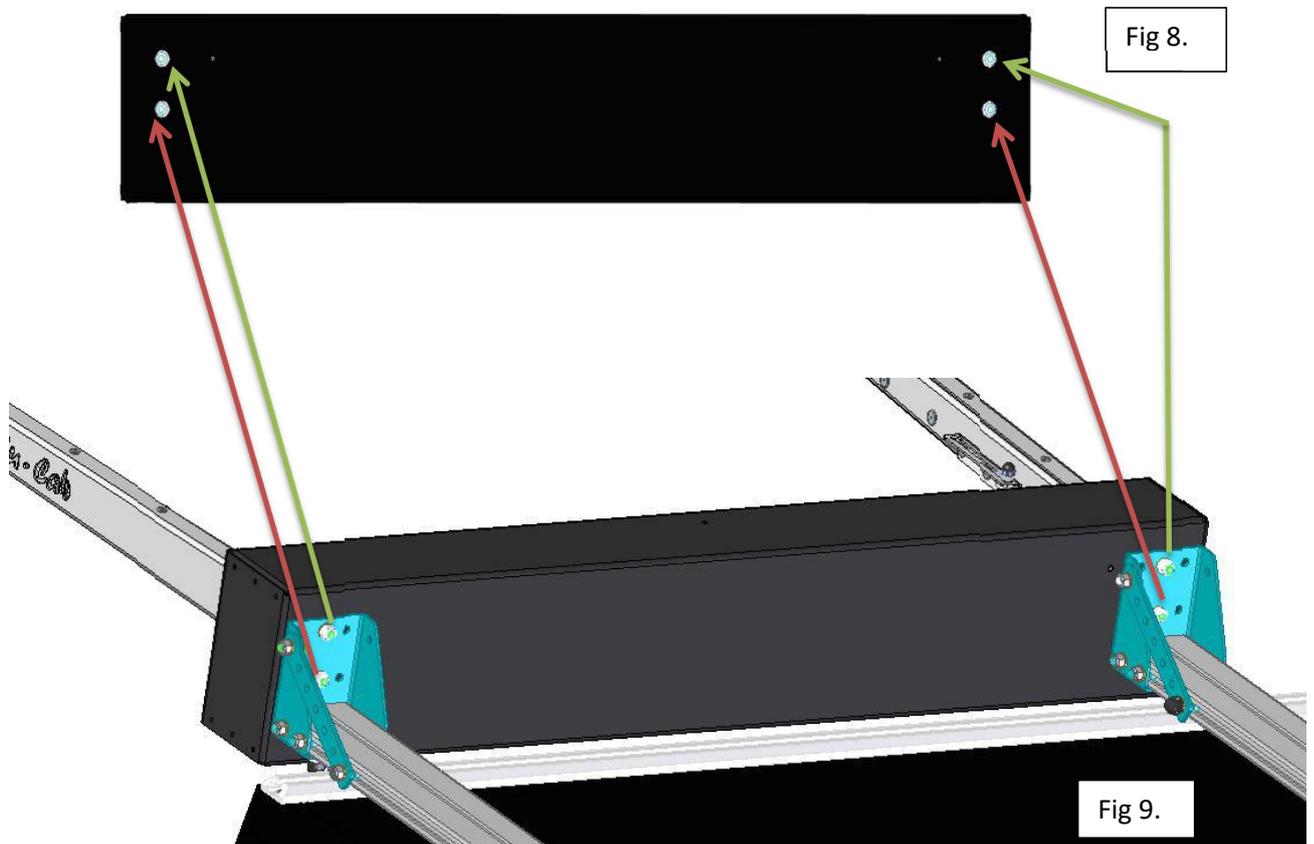


Fig 7. Sectional view mounting bracket sliding onto load bar.

fit all bolts, washers and nuts to the brackets before fitting them to the load bar, as it has to slide into the slots as seen in figures 4,5 and 6.

3. Mounting the shower cubicle

Place **shower cubicle assembly with the bag** on mounting brackets and secure shower cubicle to the mounting brackets using the same nuts that were removed in **fig 8. t**



Place M8 Plastic Nut Caps on all M8 Nyloc Nuts and bolt heads on the outside to finish of the mounting bracket fitment.