

48002296



Checklist / Manual de Montagem - P. choques traseiro c/ sup. pneu e jerrycan - T. Hilux Revo



Checklist / Fitting Instructions - Rear bar w/ wheel carrier-jerrycan - T. Hilux Revo



Despiezas / Instrucciones de montaje -



3h



1 x1 48001522		2 x1 48001309		3 x1 47001728		4 x1 47001727	
5 x1 47001726		6 x1 47001725		7 x1 47001724		8 x1 47001723	
9 x2 47001451		10 x2 47001450		11 x2 47001111		12 x2 46005516	
13 x2 46005515		14 x2 46005514		15 x1 46005369		16 x2 46005253	
17 x6 46004358		18 x2 46004345		19 x2 46004340		20 x4 46003952	
21 x2 46003951		22 x1 46003674		23 x2 46003673		24 x2 46003672	
25 x4 46003671		26 x1 46003043		27 x1 46003042		28 x2 46002997	
29 x2 46002340		30 x2 45001052		31 x1 45001049		32 x1 45000921	
33 x2 45000889		34 x2 45000874		35 x2 45000872		36 x2 45000871	
Grasser M10	<input type="checkbox"/>	Fêmea freiada M30	<input type="checkbox"/>	Rol. Con.Ø55xØ30	<input type="checkbox"/>	Rol. Con.Ø62xØ35	<input type="checkbox"/>

Toyota Hilux Revo
(2015-)



37 x2 45000719 Prf.cb.con - M6x20	38 x2 45000641 Mola Ø9x1x14,5	39 x2 45000626 Prf.Sx.Rsc.P M8x60x	40 x6 45000315 Prf. Sx. M12x35x1,25
41 x1 45000276 Anilha M4	42 x1 45000267 Prf. Cb. Sx. M12x40	43 x4 45000079 Batente de amort.	44 x8 45000077 Prf. Cb. Sx. M6x25
45 x8 45000074 Fêmea Freitada M6	46 x2 45000069 Prf. Cb. Sx. M10x35	47 x13 45000067 Prf. Cb. Sx. M12X35	48 x12 45000066 Fêmea Freitada M12
49 x8 45000058 Prf. Cb. Sx. M8x20	50 x12 45000048 Anilha M8x16x1,6	51 x4 45000039 Anilha M10	52 x30 45000036 Anilha Aba Larga M12
53 x2 45000034 Fêmea Sext. M12	54 x6 45000018 Fêmea Freitada M8	55 x10 45000017 Fêmea Freitada M10	56 x2 45000015 Prf. Cb. Sx. M10x25
57 x4 45000013 Fêmea Sext. M8	58 x12 45000010 Anilha Aba Larga M10	59 x8 45000007 Prf.Cb.Sx.M10x30x1,5	

Acessórios: ___ / ___ / ___ | Peças/Compostos: ___ / ___ / ___ | Artigo: ___ / ___ / ___ | Embalagem: ___ / ___ / ___

Thank you for choosing AFN products, a lot of time in R&D has gone into perfecting our products. However, if you find problems with any AFN products you have purchased, or if you have any information which would help us to improve our products, please let us know.

If you think there may be a problem either before or after fitting the AFN product, it is best to contact your nearest AFN distributor.

WARNING

- This product should be installed as demonstrated in the product fitting instructions.
- If verified that any component is damaged, please contact your nearest AFN distributor.
- The specified parts, will only fit the models specified by AFN.
- Do not modify any component of the product.
- It is recommended that this product is installed by specialised and trained personnel.
- AFN cannot be responsible for any changes made by the vehicle manufacturer.
- Work safely and use specialised tools at all times.
- Always use protective gear.



size	Torque Nm	Torque lbft
M6	9Nm	4 lbft
M8	22Nm	16 lbft
M10	44Nm	32 lbft
M12	77Nm	57 lbft

- Tools set required:



CONTACTS

R. da Madeira, nº 113
Z. Industrial das Travessas
3700-176 S. João da Madeira
Portugal

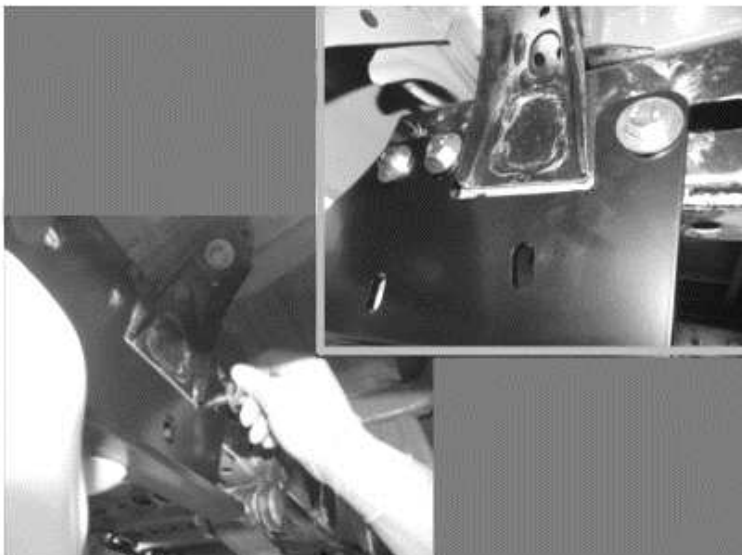
Tel.: (+351) 256 838 300
Fax: (+351) 256 838 305
www.afn.pt
geral@afn.pt

COORDINATES

DATUM: European 79
UTM 05.44.100
29T 45.28.300
N 40°54' 14.0"
W 08°28' 35.0"

01

- After removing the OEM parts please insert part number 47001725.

02

- Please finger tight the bolts 45000036 / 45000315.

03

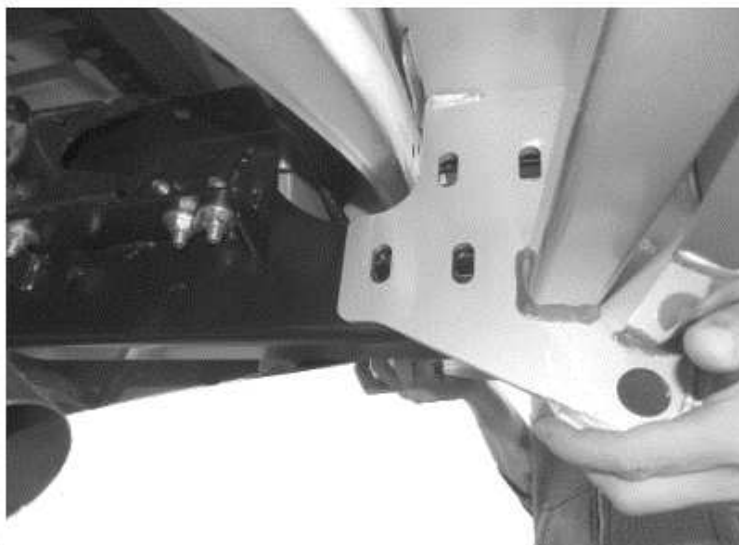
- Please finger tight the bolts 45000007 / 45000010 / 45000017.

04

- Please do the same operation on the opposite side.

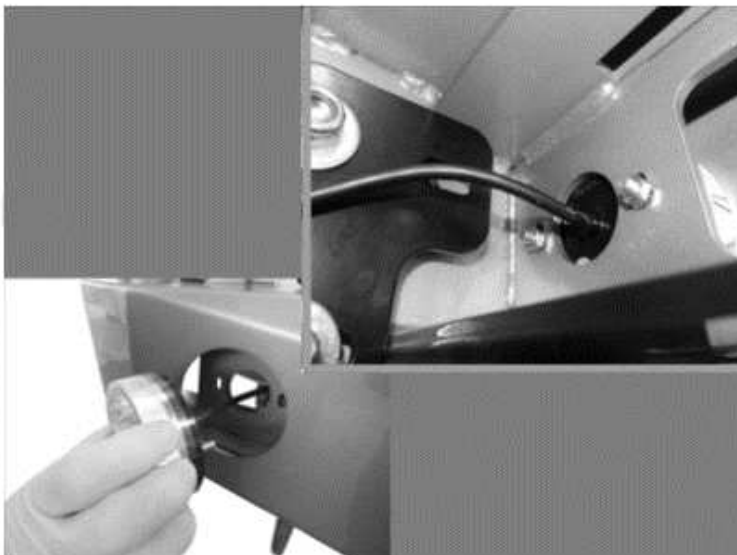
05

- Please fit part number 47001723.

06

07

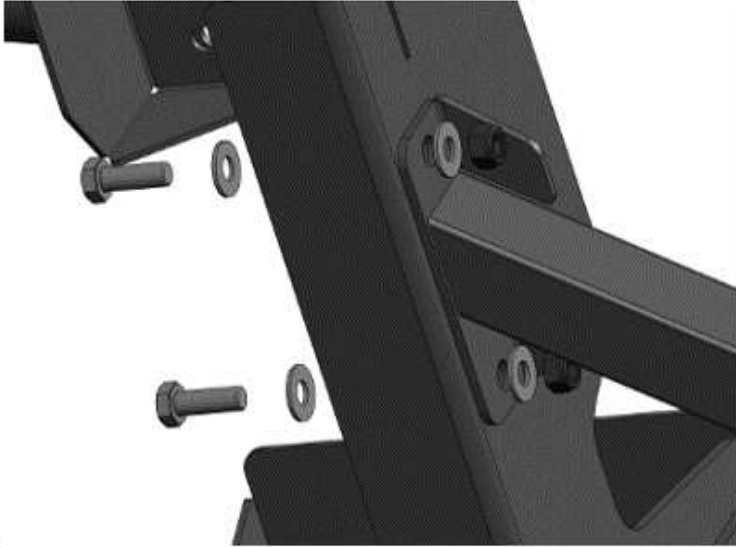
- Please finger tight the bolts
45000067 / 45000036 / 45000066.

08

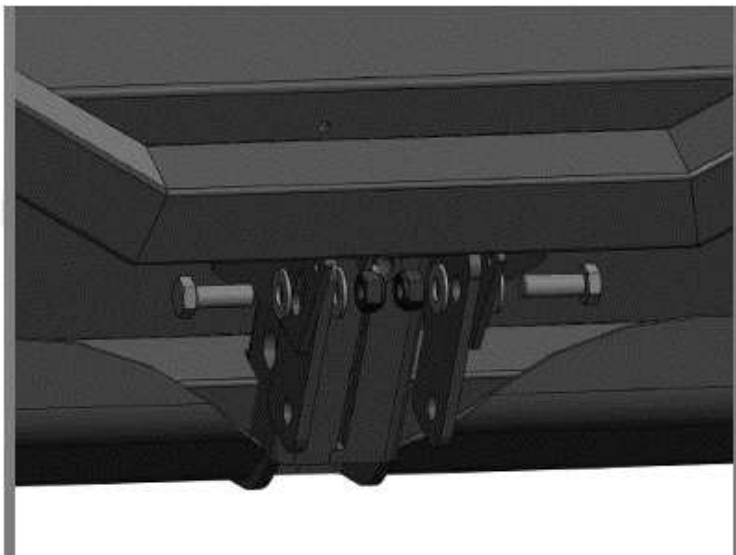
- Please fit the part number
45001052, and finger tight de bolts.

09

- Please fit the part number
47001724.

10

- Please finger tight the bolts
45000067 / 45000036 / 45000066.

11

- Please finger tight the bolts
45000069 / 45000039 / 45000017.

12

- Make sure you leave enough
gap between the body and the
rear bumper.

- Once all bolts are in place
please give the final tight (use the
table shown in the first page).