

48002280



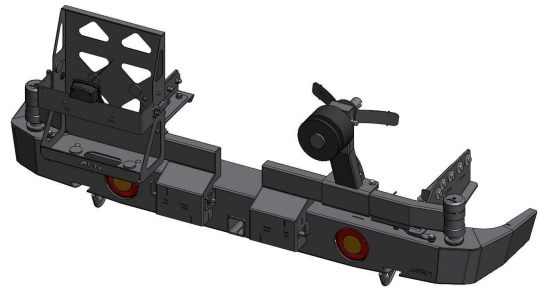
Checklist / Manual de Montagem - P. choques traseiro c/ sup. pneu e jerry can - L200 2015



Checklist / Fitting Instructions - Rear bumper W/wheel carrier/jerry can L200 2015



Despiezas / Instrucciones de montaje -



3h



1 x1 48001522		2 x1 48001309		3 x1 47001750		4 x1 47001749	
5 x1 47001748		6 x1 47001747		7 x1 47001716		8 x1 47001715	
9 x1 47001714		10 x1 47001713		11 x2 47001451		12 x2 47001450	
13 x2 47001111		14 x1 47001053		15 x1 47001052		16 x1 46006554	
17 x1 46006553		18 x2 46005516		19 x2 46005515		20 x2 46005514	
21 x1 46005369		22 x2 46005253		23 x6 46004358		24 x2 46004345	
25 x2 46004340		26 x4 46003952		27 x2 46003951		28 x1 46003674	
29 x2 46003673		30 x2 46003672		31 x4 46003671		32 x1 46003043	
33 x1 46003042		34 x2 46002997		35 x2 46002340		36 x2 45001052	

Mitsubishi L-200 Did
Triton Cab. Dupla -
Mod. 2015 (15-)



37 x1 45001049 	38 x1 45000921 	39 x2 45000889 	40 x2 45000874 
<input type="checkbox"/>	Prf. cab. red. M4x10	<input type="checkbox"/>	Grasser M10
<input type="checkbox"/>		<input type="checkbox"/>	Fêmea freiada M30
41 x2 45000872 	42 x2 45000871 	43 x2 45000719 	44 x2 45000641 
<input type="checkbox"/>	Rol. Con.Ø55xØ30	<input type="checkbox"/>	Rol. Con.Ø62xØ35
<input type="checkbox"/>		<input type="checkbox"/>	Prf.cb.con - M6x20
<input type="checkbox"/>		<input type="checkbox"/>	Mola Ø9x1x14,5
45 x2 45000626 	46 x1 45000276 	47 x1 45000267 	48 x2 45000216 
<input type="checkbox"/>	Prf.Sx.Rsc.P M8x60x	<input type="checkbox"/>	Anilha M4
<input type="checkbox"/>		<input type="checkbox"/>	Prf. Cb. Sx. M12x40
<input type="checkbox"/>		<input type="checkbox"/>	Prf. Cb. Sx. M14x30
49 x2 45000157 	50 x4 45000079 	51 x8 45000077 	52 x8 45000074 
<input type="checkbox"/>	Anilha de Isolamento	<input type="checkbox"/>	Batente de amort.
<input type="checkbox"/>		<input type="checkbox"/>	Prf. Cb. Sx. M6x25
<input type="checkbox"/>		<input type="checkbox"/>	Fêmea Freiada M6
53 x7 45000067 	54 x6 45000066 	55 x12 45000048 	56 x14 45000037 
<input type="checkbox"/>	Prf. Cb. Sx. M12x35	<input type="checkbox"/>	Fêmea Freiada M12
<input type="checkbox"/>		<input type="checkbox"/>	Anilha M8x16x1,6
<input type="checkbox"/>		<input type="checkbox"/>	Prf. Cb. Sx. M12x30
57 x26 45000036 	58 x2 45000034 	59 x10 45000018 	60 x12 45000017 
<input type="checkbox"/>	Anilha Aba Larga M12	<input type="checkbox"/>	Fêmea Sext. M12
<input type="checkbox"/>		<input type="checkbox"/>	Fêmea Freiada M8
<input type="checkbox"/>		<input type="checkbox"/>	Fêmea Freiada M10
61 x2 45000015 	62 x12 45000014 	63 x4 45000013 	64 x8 45000011 
<input type="checkbox"/>	Prf. Cb. Sx. M10x25	<input type="checkbox"/>	Prf. Cb. Sx. M8x25
<input type="checkbox"/>		<input type="checkbox"/>	Fêmea Sext. M8
<input type="checkbox"/>		<input type="checkbox"/>	Anilha aba larga M8
65 x20 45000010 	66 x12 45000007 		
<input type="checkbox"/>	Anilha Aba Larga M10	<input type="checkbox"/>	Prf.Cb.Sx.M10x30x1,5

Acessórios: ___ / ___ / ___ | Peças/Compostos: ___ / ___ / ___ | Artigo: ___ / ___ / ___ | Embalagem: ___ / ___ / ___

Thank you for choosing AFN products, a lot of time in R&D has gone into perfecting our products. However, if you find problems with any AFN products you have purchased, or if you have any information which would help us to improve our products, please let us know.

If you think there may be a problem either before or after fitting the AFN product, it is best to contact your nearest AFN distributor.

WARNING

- This product should be installed as demonstrated in the product fitting instructions.
- If verified that any component is damaged, please contact your nearest AFN distributor.
- The specified parts, will only fit the models specified by AFN.
- Do not modify any component of the product.
- It is recommended that this product is installed by specialised and trained personnel.
- AFN cannot be responsible for any changes made by the vehicle manufacturer.
- Work safely and use specialised tools at all times.
- Always use protective gear.



size	Torque Nm	Torque lbft
M6	9Nm	4 lbft
M8	22Nm	16 lbft
M10	44Nm	32 lbft
M12	77Nm	57 lbft

- Tools set required:



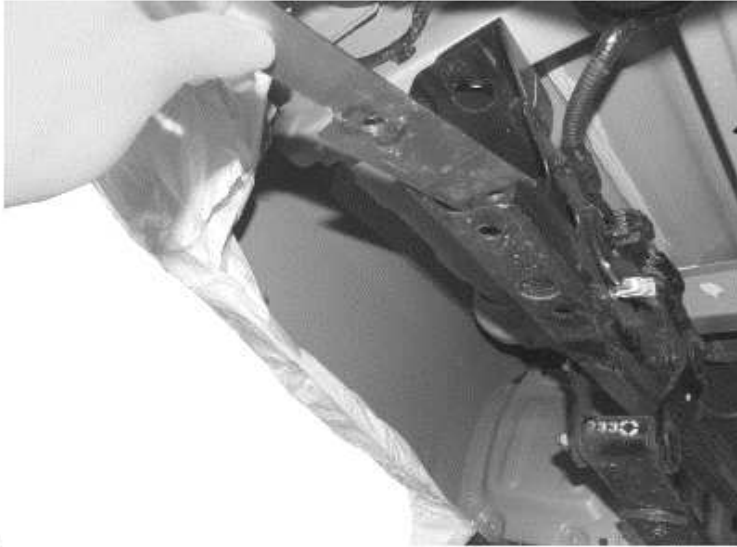
CONTACTS

R. da Madeira, nº 113
Z. Industrial das Travessas
3700-176 S. João da Madeira
Portugal

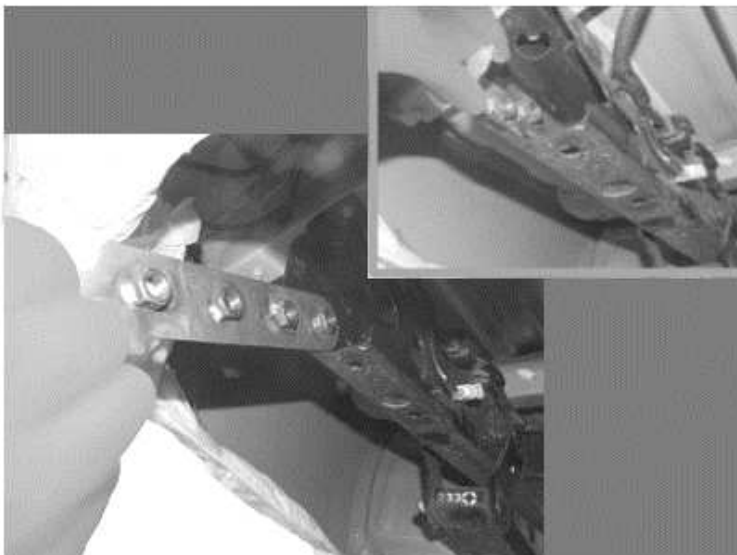
Tel.: (+351) 256 838 300
Fax: (+351) 256 838 305
www.afn.pt
geral@afn.pt

COORDINATES

DATUM: European 79
UTM 05.44.100
29T 45.28.300
N 40°54' 14.0"
W 08°28' 35.0"

01

- After removing the OEM parts please insert part number 47001414 inside chassis.

02

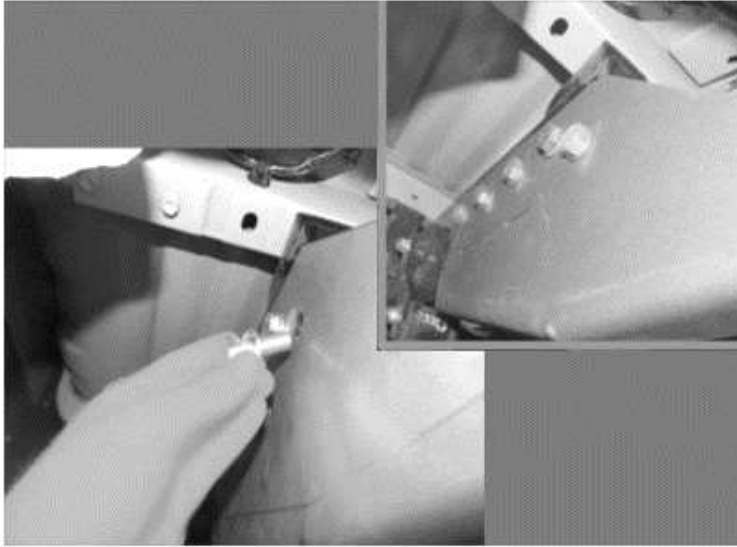
- Please insert part number 47001716 inside chassis.

03

- Please fit part number 47001749.

FITTING INSTRUCTIONS

04



- Please finger tight the bolts
45000037 / 45000042.

05

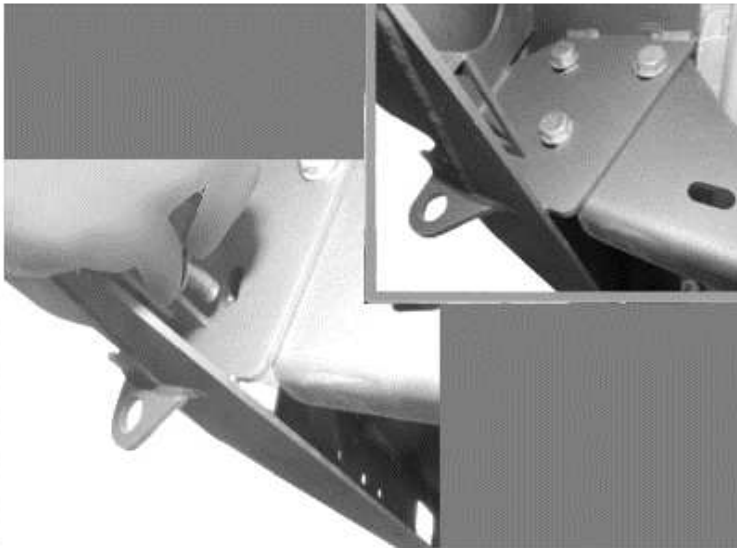


- Please finger tight the bolts
45000037 / 45000042.

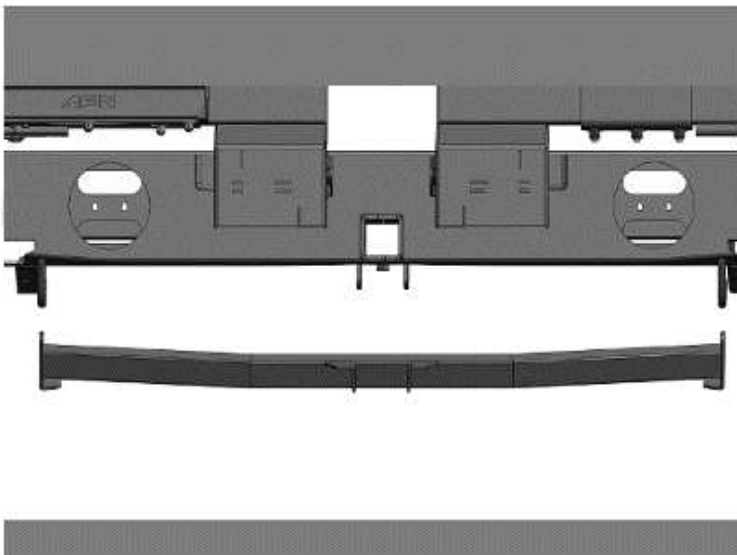
06



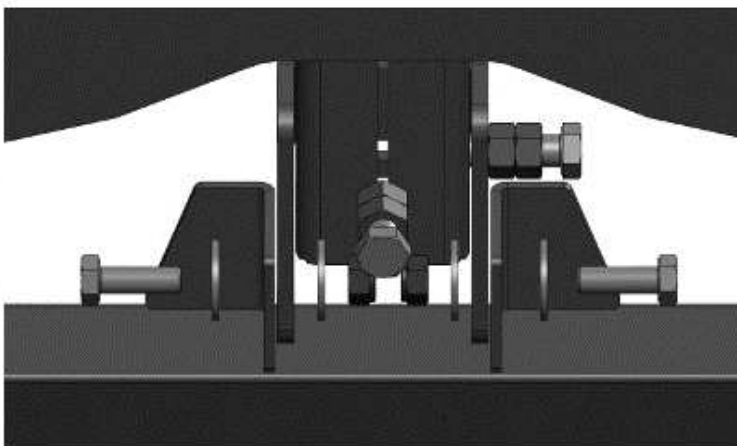
- Please do the same operation
on the opposite side.

07

- Please finger tight the bolts
45000067 / 45000036 / 45000066

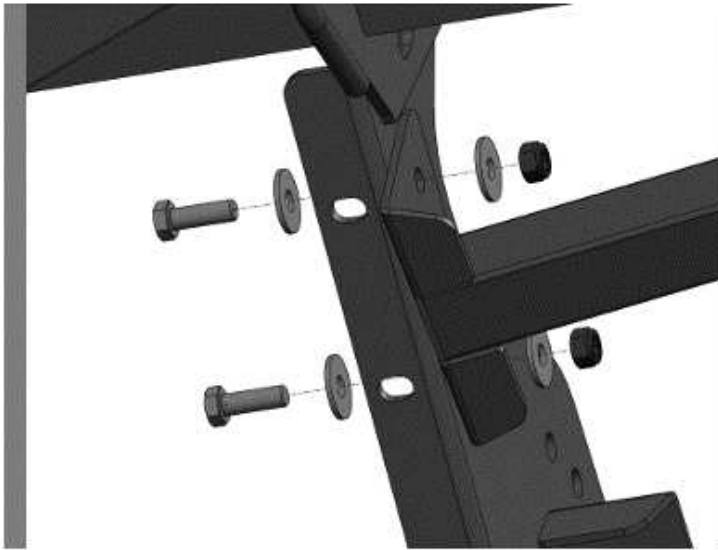
08

- Please insert part number
47001750 .

09

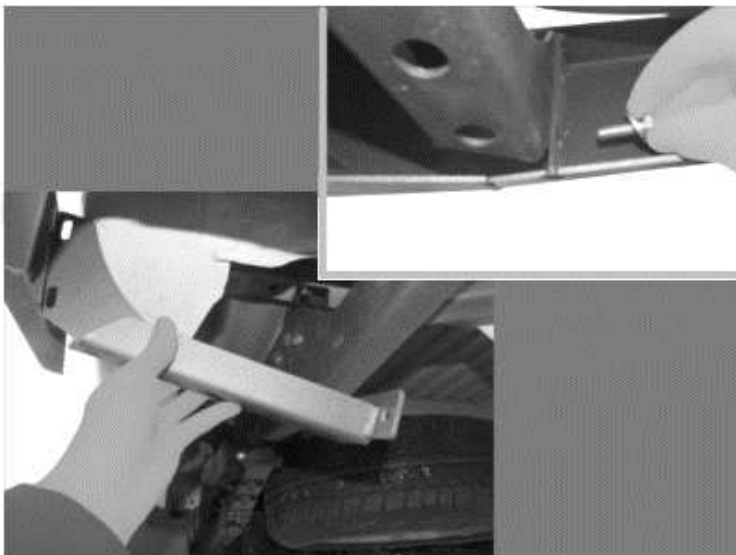
- Please finger tight the bolts
45000007 / 45000010 / 45000017

10



- Please finger tight the bolts
45000007 / 45000010 / 45000017.

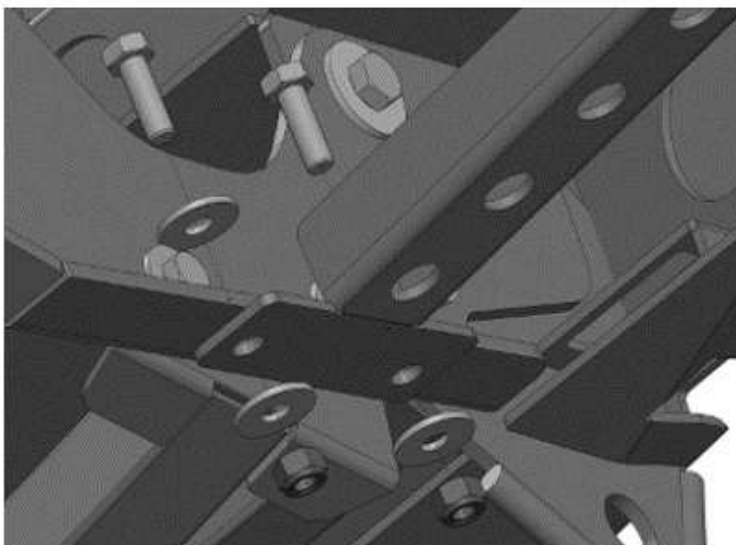
11



- Please insert part number
45006554.

- Please finger tight the bolts
45000014 / 45000011 / 45000018.

12



- Please finger tight the bolts
45000007 / 45000010 / 45000017.

- Please do the same operation
on the opposite side.

13

-- Make sure you leave enough gap between the body and the rear bumper.

- Once all bolts are in place please give the final tight (use the table shown in the first page).

48002280



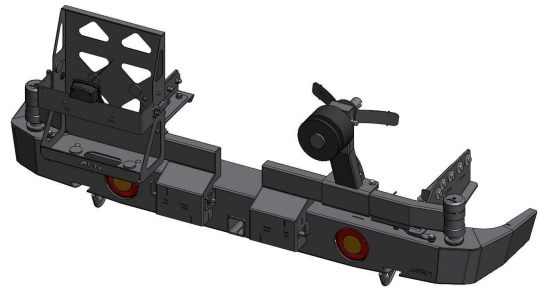
Checklist / Manual de Montagem - P. choques traseiro c/ sup. pneu e jerry can - L200 2015



Checklist / Fitting Instructions - Rear bumper W/wheel carrier/jerry can L200 2015



Despiezas / Instrucciones de montaje -



3h



1 x1 48001522		2 x1 48001309		3 x1 47001750		4 x1 47001749	
5 x1 47001748		6 x1 47001747		7 x1 47001716		8 x1 47001715	
9 x1 47001714		10 x1 47001713		11 x2 47001451		12 x2 47001450	
13 x2 47001111		14 x1 47001053		15 x1 47001052		16 x1 46006554	
17 x1 46006553		18 x2 46005516		19 x2 46005515		20 x2 46005514	
21 x1 46005369		22 x2 46005253		23 x6 46004358		24 x2 46004345	
25 x2 46004340		26 x4 46003952		27 x2 46003951		28 x1 46003674	
29 x2 46003673		30 x2 46003672		31 x4 46003671		32 x1 46003043	
33 x1 46003042		34 x2 46002997		35 x2 46002340		36 x2 45001052	
37 x1 45001049		38 x1 45000921		39 x2 45000889		40 x2 45000874	

Mitsubishi L-200 Did
Triton Cab. Dupla -
Mod. 2015 (15-)

Thank you for choosing AFN products, a lot of time in R&D has gone into perfecting our products. However, if you find problems with any AFN products you have purchased, or if you have any information which would help us to improve our products, please let us know.

If you think there may be a problem either before or after fitting the AFN product, it is best to contact your nearest AFN distributor.

WARNING

- This product should be installed as demonstrated in the product fitting instructions.
- If verified that any component is damaged, please contact your nearest AFN distributor.
- The specified parts, will only fit the models specified by AFN.
- Do not modify any component of the product.
- It is recommended that this product is installed by specialised and trained personnel.
- AFN cannot be responsible for any changes made by the vehicle manufacturer.
- Work safely and use specialised tools at all times.
- Always use protective gear.



size	Torque Nm	Torque lbft
M6	9Nm	4 lbft
M8	22Nm	16 lbft
M10	44Nm	32 lbft
M12	77Nm	57 lbft

- Tools set required:



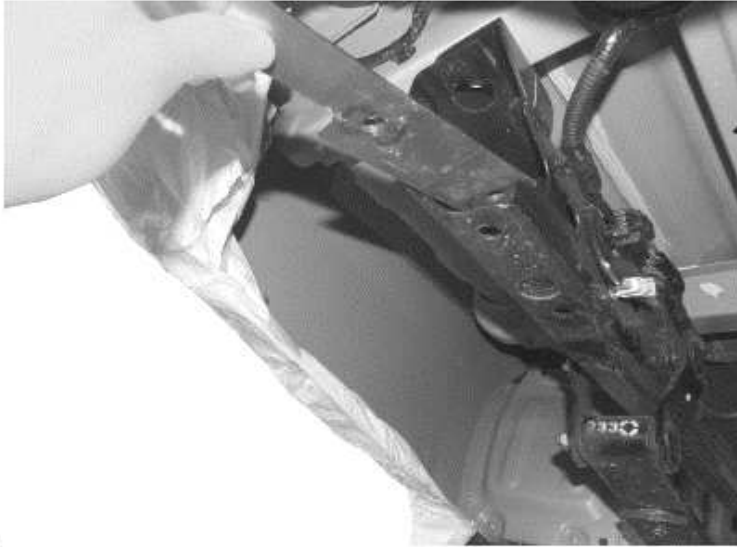
CONTACTS

R. da Madeira, nº 113
Z. Industrial das Travessas
3700-176 S. João da Madeira
Portugal

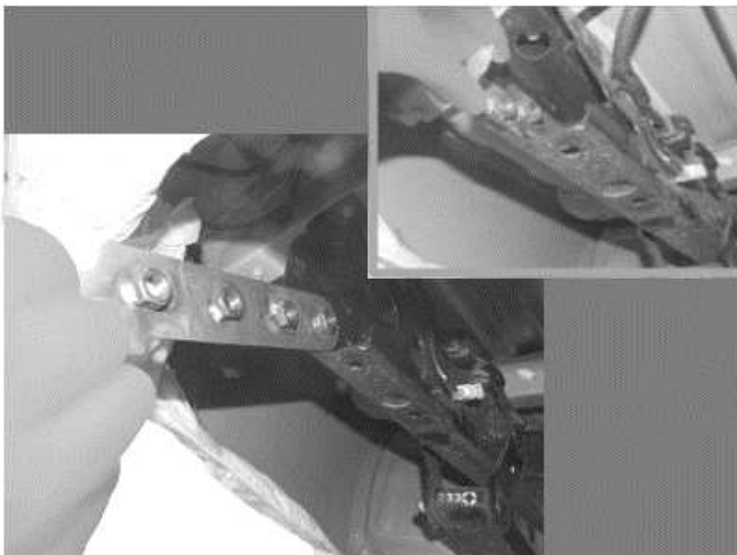
Tel.: (+351) 256 838 300
Fax: (+351) 256 838 305
www.afn.pt
geral@afn.pt

COORDINATES

DATUM: European 79
UTM 05.44.100
29T 45.28.300
N 40°54' 14.0"
W 08°28' 35.0"

01

- After removing the OEM parts please insert part number 47001414 inside chassis.

02

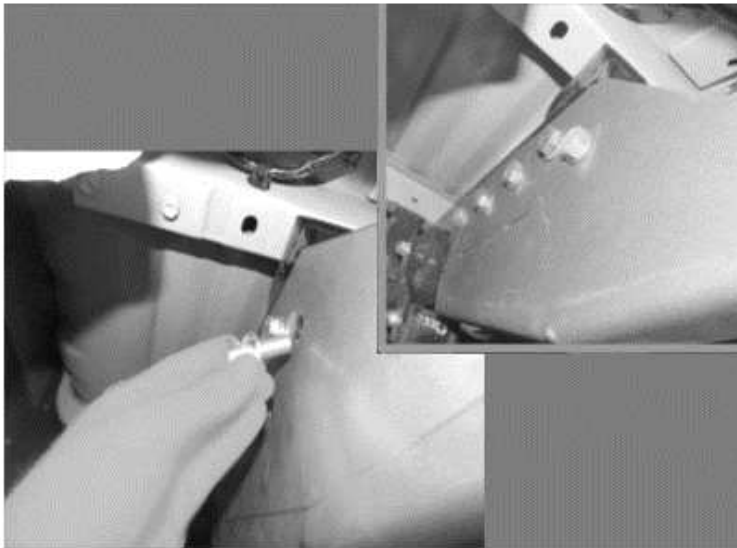
- Please insert part number 47001716 inside chassis.

03

- Please fit part number 47001749.

FITTING INSTRUCTIONS

04



- Please finger tight the bolts
45000037 / 45000042.

05

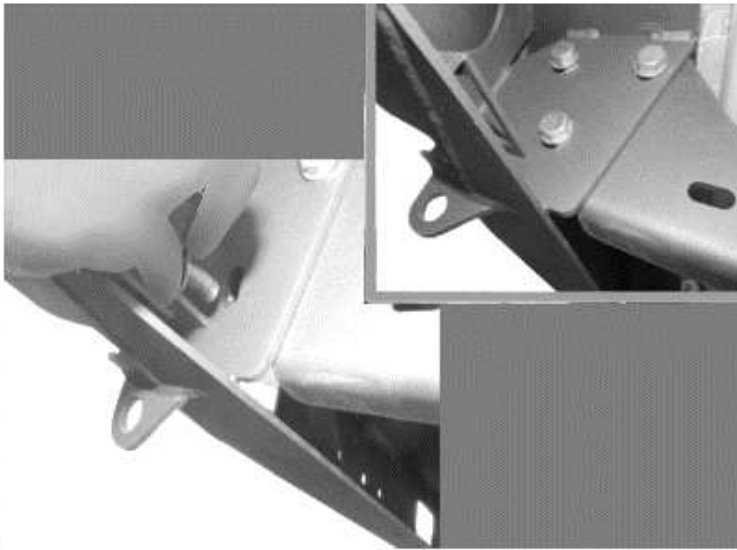


- Please finger tight the bolts
45000037 / 45000042.

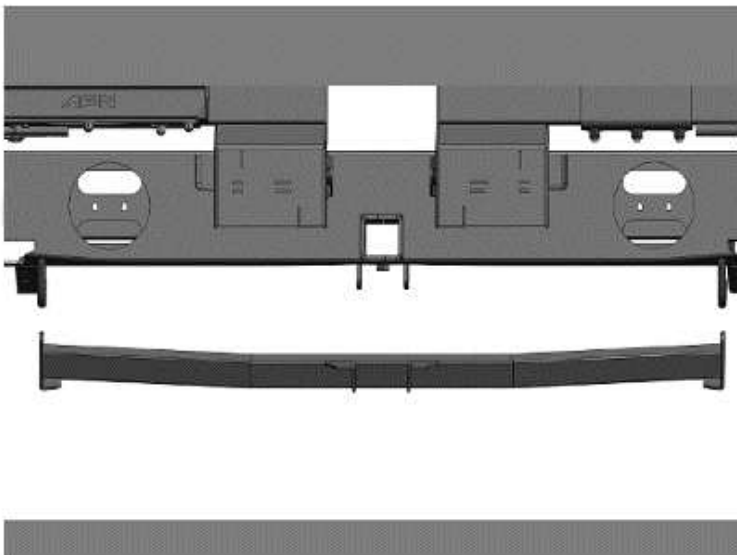
06



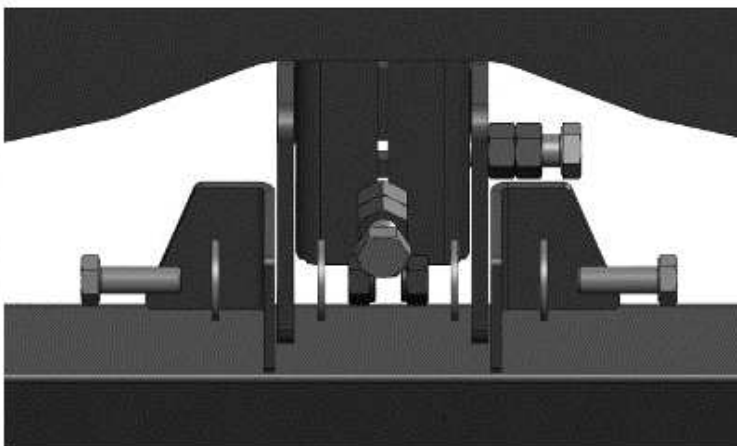
- Please do the same operation
on the opposite side.

07

- Please finger tight the bolts
45000067 / 45000036 / 45000066

08

- Please insert part number
47001750 .

09

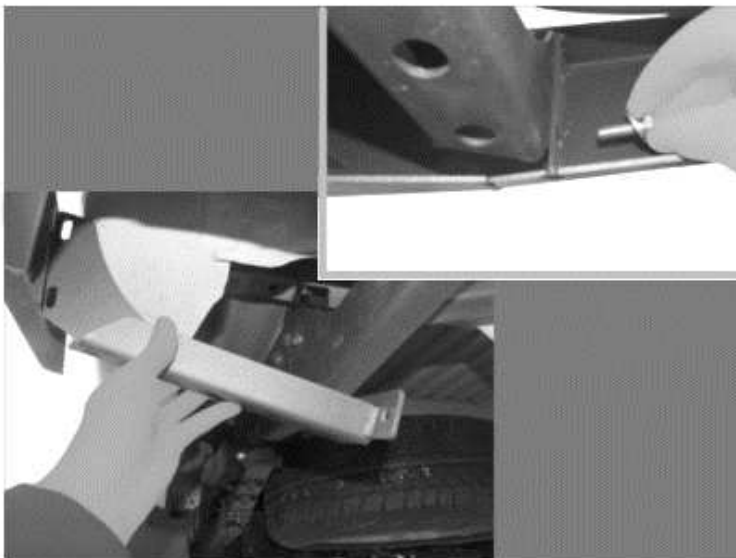
- Please finger tight the bolts
45000007 / 45000010 / 45000017

10



- Please finger tight the bolts
45000007 / 45000010 / 45000017.

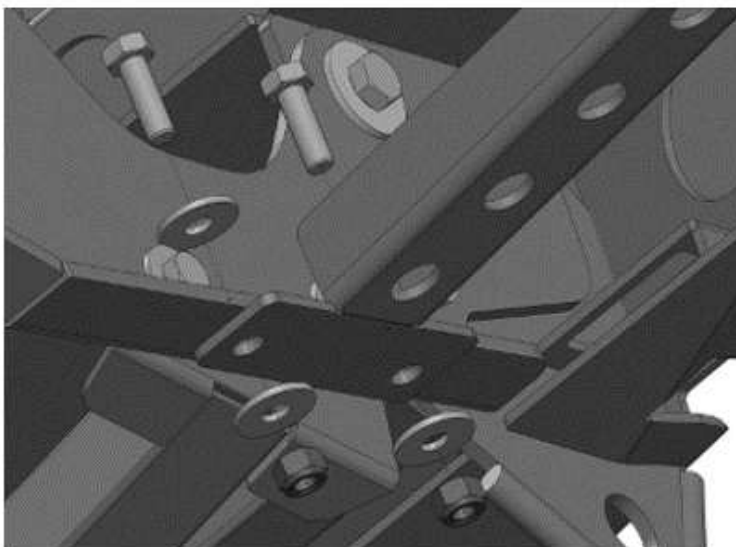
11



- Please insert part number
45006554.

- Please finger tight the bolts
45000014 / 45000011 / 45000018.

12



- Please finger tight the bolts
45000007 / 45000010 / 45000017.

- Please do the same operation
on the opposite side.

13

-- Make sure you leave enough gap between the body and the rear bumper.

- Once all bolts are in place please give the final tight (use the table shown in the first page).