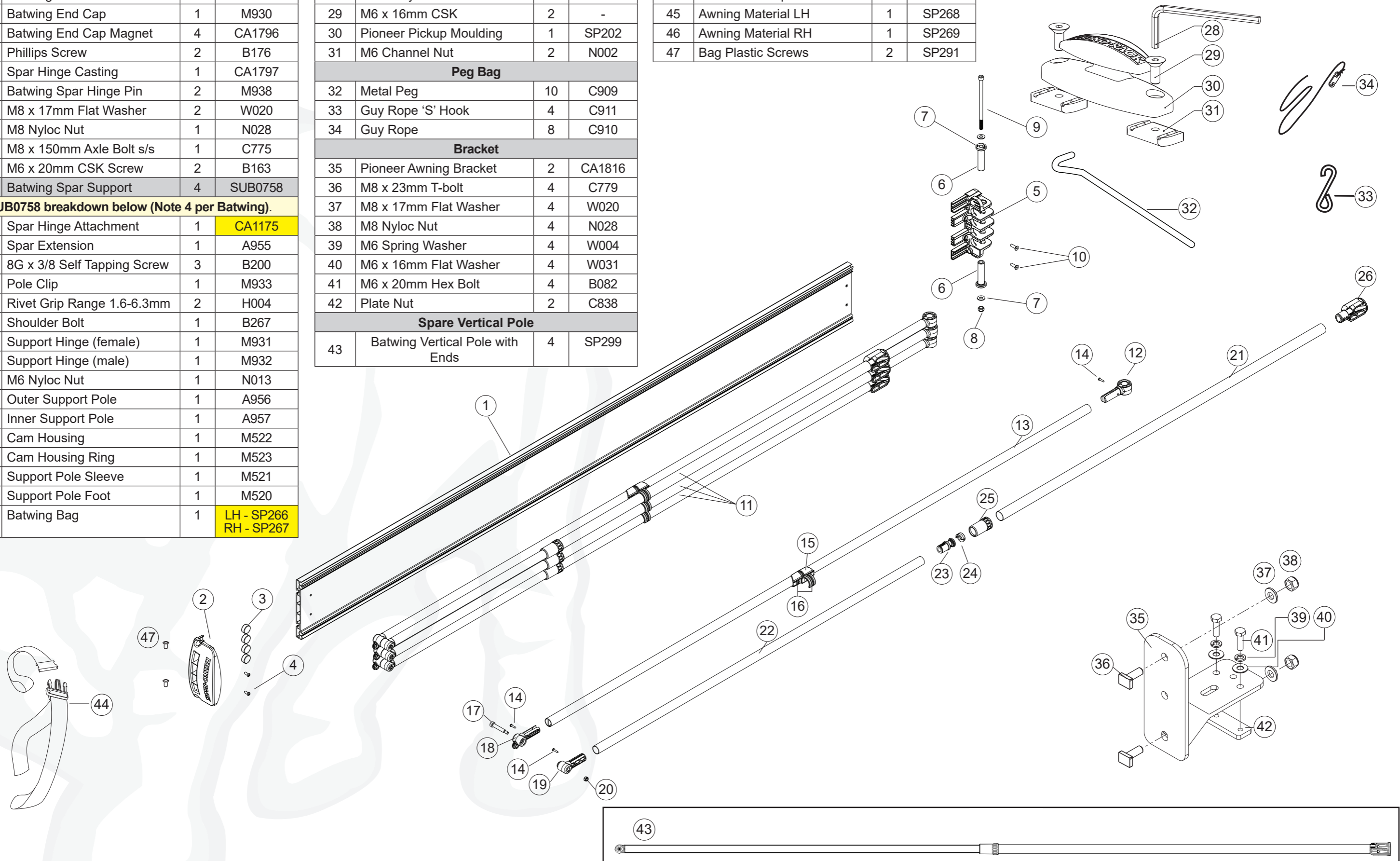




| Item | Batwing | Qty | Part No. |
|--|-----------------------------|-----|--------------------------|
| 1 | Batwing Main Extrusion | 1 | - |
| 2 | Batwing End Cap | 1 | M930 |
| 3 | Batwing End Cap Magnet | 4 | CA1796 |
| 4 | Phillips Screw | 2 | B176 |
| 5 | Spar Hinge Casting | 1 | CA1797 |
| 6 | Batwing Spar Hinge Pin | 2 | M938 |
| 7 | M8 x 17mm Flat Washer | 2 | W020 |
| 8 | M8 Nyloc Nut | 1 | N028 |
| 9 | M8 x 150mm Axle Bolt s/s | 1 | C775 |
| 10 | M6 x 20mm CSK Screw | 2 | B163 |
| 11* | Batwing Spar Support | 4 | SUB0758 |
| SUB0758 breakdown below (Note 4 per Batwing). | | | |
| 12* | Spar Hinge Attachment | 1 | CA1175 |
| 13* | Spar Extension | 1 | A955 |
| 14* | 8G x 3/8 Self Tapping Screw | 3 | B200 |
| 15* | Pole Clip | 1 | M933 |
| 16* | Rivet Grip Range 1.6-6.3mm | 2 | H004 |
| 17* | Shoulder Bolt | 1 | B267 |
| 18* | Support Hinge (female) | 1 | M931 |
| 19* | Support Hinge (male) | 1 | M932 |
| 20* | M6 Nyloc Nut | 1 | N013 |
| 21* | Outer Support Pole | 1 | A956 |
| 22* | Inner Support Pole | 1 | A957 |
| 23* | Cam Housing | 1 | M522 |
| 24* | Cam Housing Ring | 1 | M523 |
| 25* | Support Pole Sleeve | 1 | M521 |
| 26* | Support Pole Foot | 1 | M520 |
| 27 | Batwing Bag | 1 | LH - SP266 RH - SP267 |

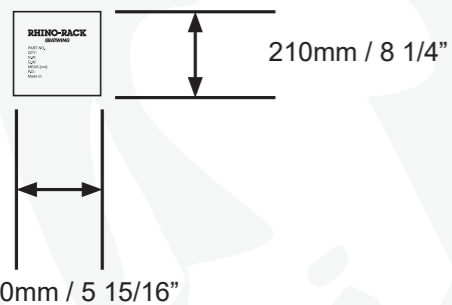
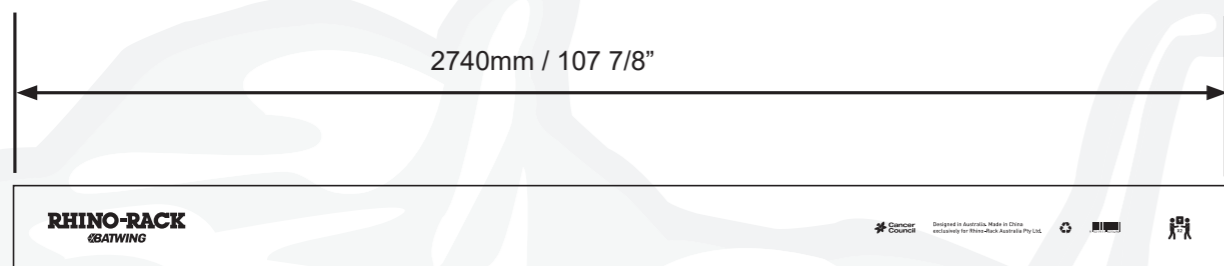
| Batwing Hardware Kit (CA1834). | | | |
|--------------------------------|---------------------------------|----|--------|
| 28 | Allen Key | 1 | H001 |
| 29 | M6 x 16mm CSK | 2 | - |
| 30 | Pioneer Pickup Moulding | 1 | SP202 |
| 31 | M6 Channel Nut | 2 | N002 |
| Peg Bag | | | |
| 32 | Metal Peg | 10 | C909 |
| 33 | Guy Rope 'S' Hook | 4 | C911 |
| 34 | Guy Rope | 8 | C910 |
| Bracket | | | |
| 35 | Pioneer Awning Bracket | 2 | CA1816 |
| 36 | M8 x 23mm T-bolt | 4 | C779 |
| 37 | M8 x 17mm Flat Washer | 4 | W020 |
| 38 | M8 Nyloc Nut | 4 | N028 |
| 39 | M6 Spring Washer | 4 | W004 |
| 40 | M6 x 16mm Flat Washer | 4 | W031 |
| 41 | M6 x 20mm Hex Bolt | 4 | B082 |
| 42 | Plate Nut | 2 | C838 |
| Spare Vertical Pole | | | |
| 43 | Batwing Vertical Pole with Ends | 4 | SP299 |

| Awning Spare Parts. | | | |
|---------------------|--------------------|---|--------|
| 44 | Retention Strap | 1 | CA1871 |
| 45 | Awning Material LH | 1 | SP268 |
| 46 | Awning Material RH | 1 | SP269 |
| 47 | Bag Plastic Screws | 2 | SP291 |

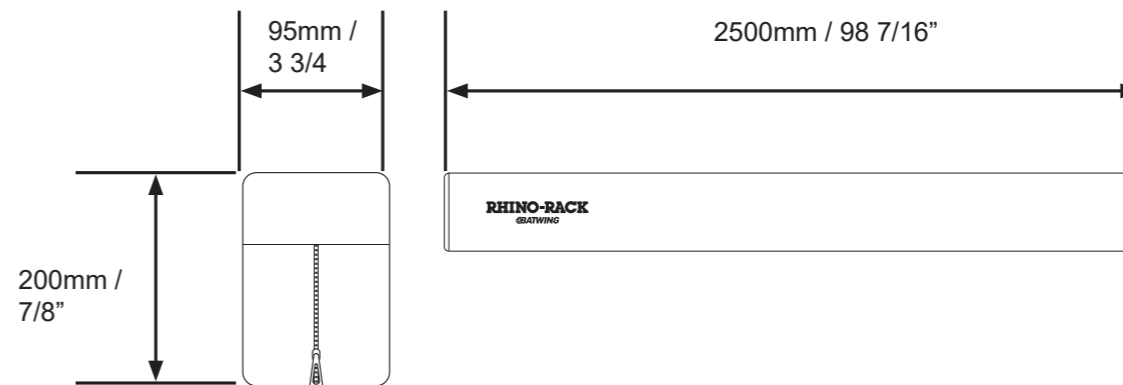




Box Dims:



Note: For USA only, shipped in two parts.
Awning box (100 x 7.87 x 6.9"). The hardware is shipped in a separate small box.



Crate info

Crate shipping is 20 awnings per unit.
4 boxed awnings x 5 boxed awnings high.
Crate dims: 2840mm x 1020mm x 990mm
Crate weight: 75kg (165lbs)

Materials

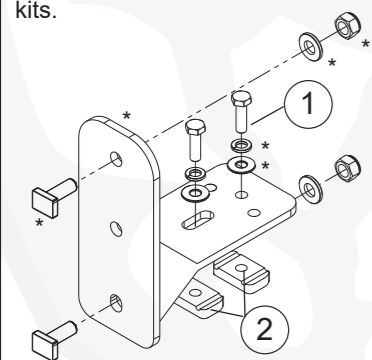
210D Poly oxford water resistant PU2000mm.
UV 50+
Carry bag - 580gsm.
Mouldings - PA6 GF25.

Batwing info

Batwing weight 19.5kg (43lbs)
Hardware weight (boxed): 2kg (4.4lbs)
Box shipper weight: 1.5kg (3.3lbs)

Note: A heavy duty kit is available (33101)

*Items found in 33100 and 33200 kits.



| 33101 Heavy Duty Kit (as separate) . | | | |
|--------------------------------------|--------------------|---|------|
| 1 | M6 x 25mm Hex Bolt | 2 | B001 |
| 2 | M6 Channel Nut | 2 | N002 |

